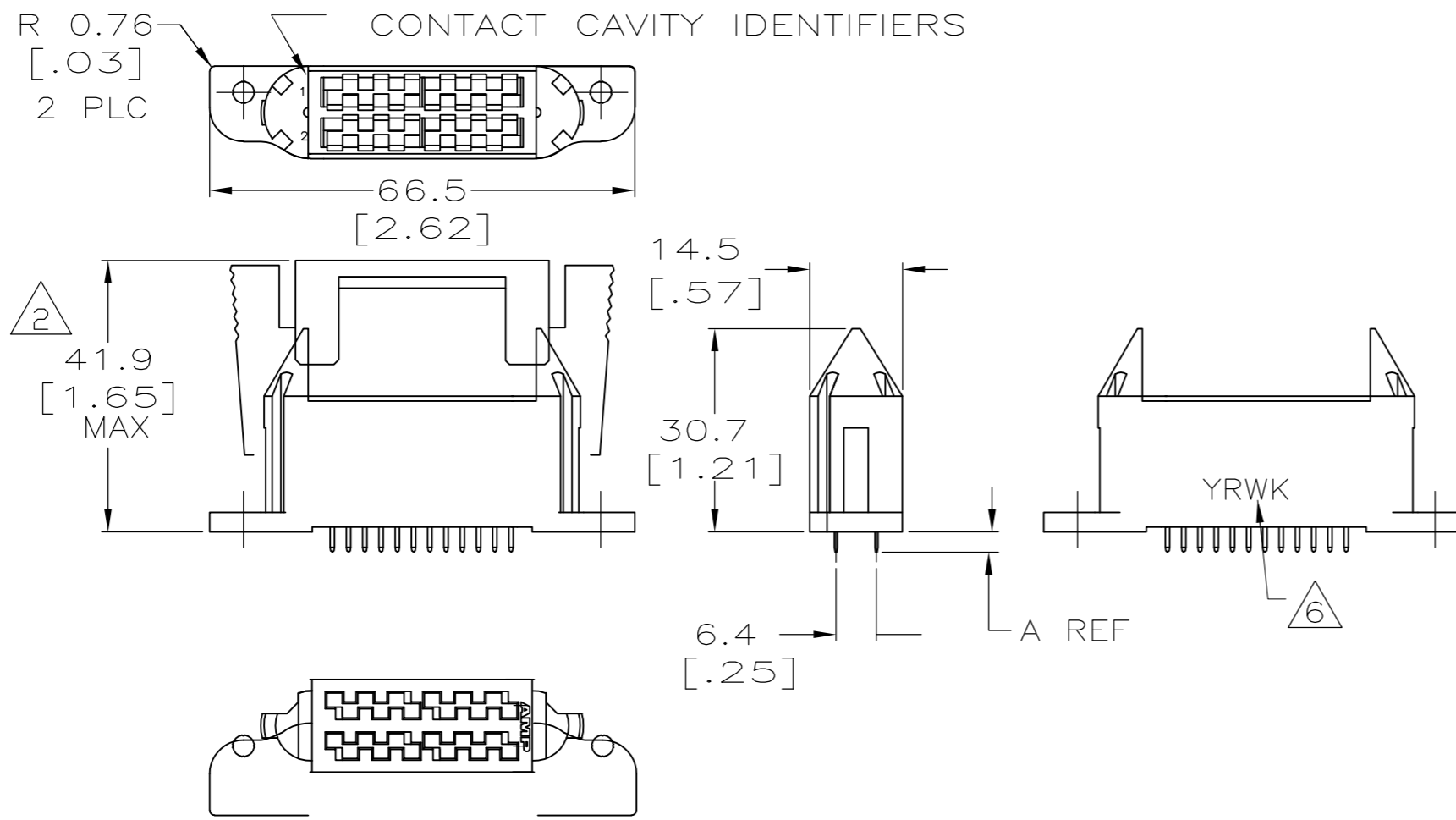


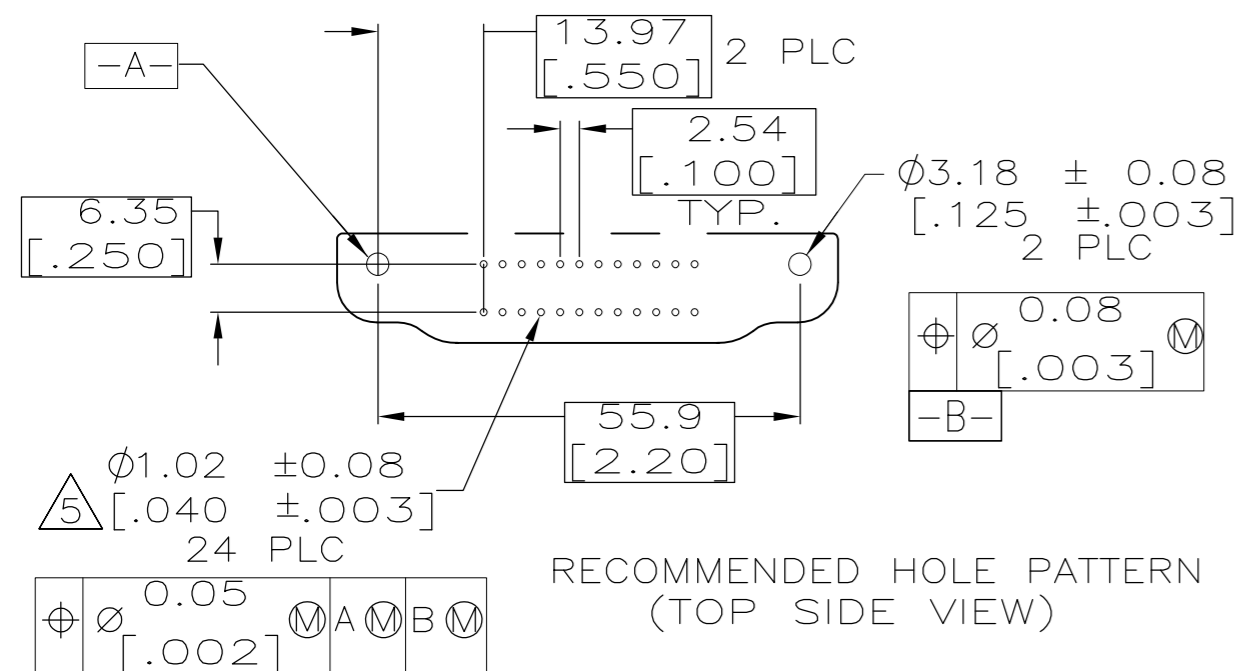
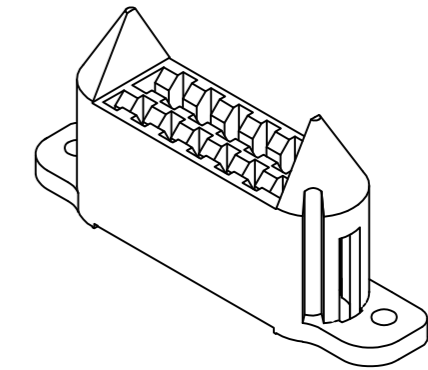
THIS DRAWING IS UNPUBLISHED. RELEASED FOR PUBLICATION
 © COPYRIGHT BY TYCO ELECTRONICS CORPORATION. ALL INTERNATIONAL RIGHTS RESERVED.

LOC	DIST	REVISIONS			
P	LTR	DESCRIPTION	DATE	DWN	APVD
GP	00	N	REV PER ECO-10-021237	19JAN2011	RG MS

AMPOWER and ACTION PIN are registered trademarks of AMP Incorporated.



- 1 MOUNTING HARDWARE, 2 #4-40 SCREWS AND NUTS OR 2 EYELETS (PN 748572-2) ARE REQUIRED.
- 2 HEIGHT OF MATED ASSEMBLY.
- 3 WITH ACTION PIN TAILS.
- 4 HIGH TEMPERATURE MATERIAL.
- 5 HOLE DIAMETER AFTER PLATING.
- 6 ADD 2-DIGIT YEAR AND 2-DIGIT WEEK CODE IN WHITE INDELIBLE INK, .13" CHARACTER HEIGHT APPROX AS SHOWN (NOTE CONDUCTOR 1&3 SIDE OF HOUSING).
- 7 OBSOLETE PARTS: OBSOLETE CIS STREAMLINING PER D.RENAUD/D.SINISI



DIM "A"	DESCRIPTION	PART NUMBER
7.7 [.31]	6.35 [.250] THK PCB	765527-9
OBSOLETE 5.9 [.24]	4.75 [.187] THK PCB	765527-8
4.1 [.16]	3.18 [.125] THK PCB	765527-7
OBSOLETE 3.3 [.13]	1.57-2.36 [.062-.093] THK PCB	765527-6
---	2.36 [.093] AND THICKER PCB'S	765527-5
OBSOLETE 7.7 [.31]	6.35 [.250] THK PCB	765527-4
5.9 [.24]	4.75 [.187] THK PCB	765527-3
4.1 [.16]	3.18 [.125] THK PCB	765527-2
3.3 [.13]	1.57-2.36 [.062-.093] THK PCB	765527-1

THIS DRAWING IS A CONTROLLED DOCUMENT.		DWN D. PUERNER 09-22-92	Tyco Electronics Corporation Harrisburg, PA 17105-3608	
DIMENSIONS: INCHES		CHK SRS 09-22-92	Tyco Electronics	
TOLERANCES UNLESS OTHERWISE SPECIFIED:		APVD ALG 09-22-92	NAME	
0 PLC ± -		PRODUCT SPEC	AMPOWER WAVE CRIMP SYSTEM	
1 PLC ± -		APPLICATION SPEC	HEADER ASSEMBLY, .100 CL	
2 PLC ± 0.25 [.010]		114-49005	VERTICAL, DRAWER CONNECTOR	
3 PLC ± 0.13 [.005]		WEIGHT -	SIZE A2	CAGE CODE 00779
4 PLC ± -		CUSTOMER DRAWING	DRAWING NO C=765527	RESTRICTED TO -
ANGLES ± -		SCALE FULL	SHEET 1 of 1	REV N
FINISH SILVER ON MATING END, ALL OVER NICKEL.				
MATERIAL THERMOPLASTIC, 94V-0 RATED, COLOR- BLACK HIGH-TEMP, NATURAL CONTACTS- COPPER ALLOY				

单击下面可查看定价，库存，交付和生命周期等信息

[>>TE Connectivity\(泰科\)](#)