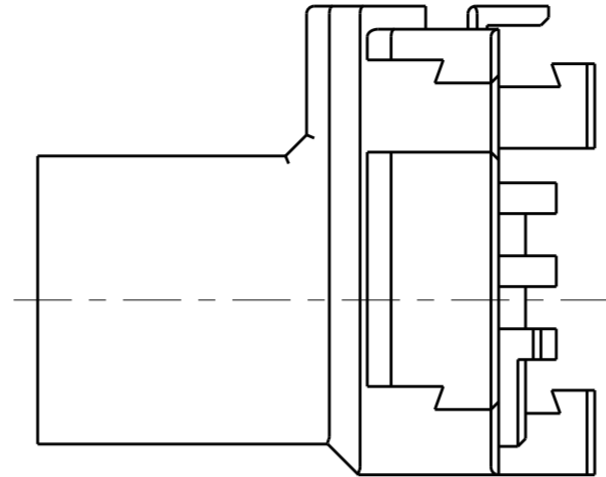
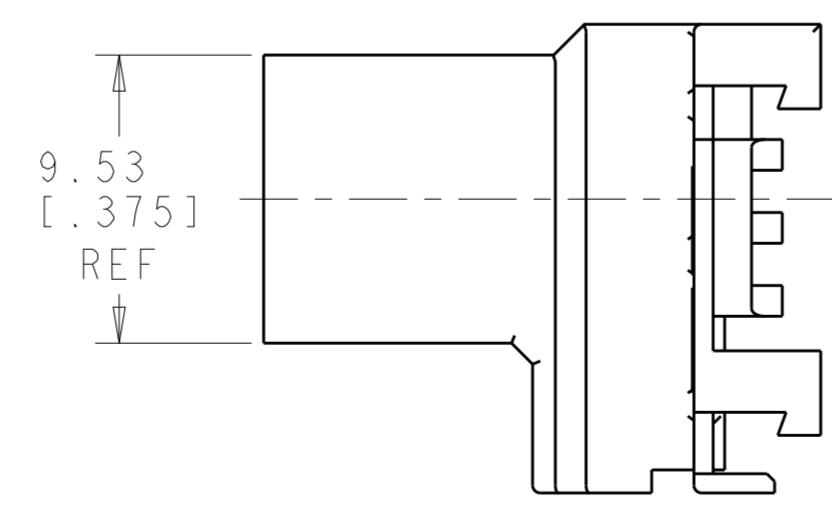
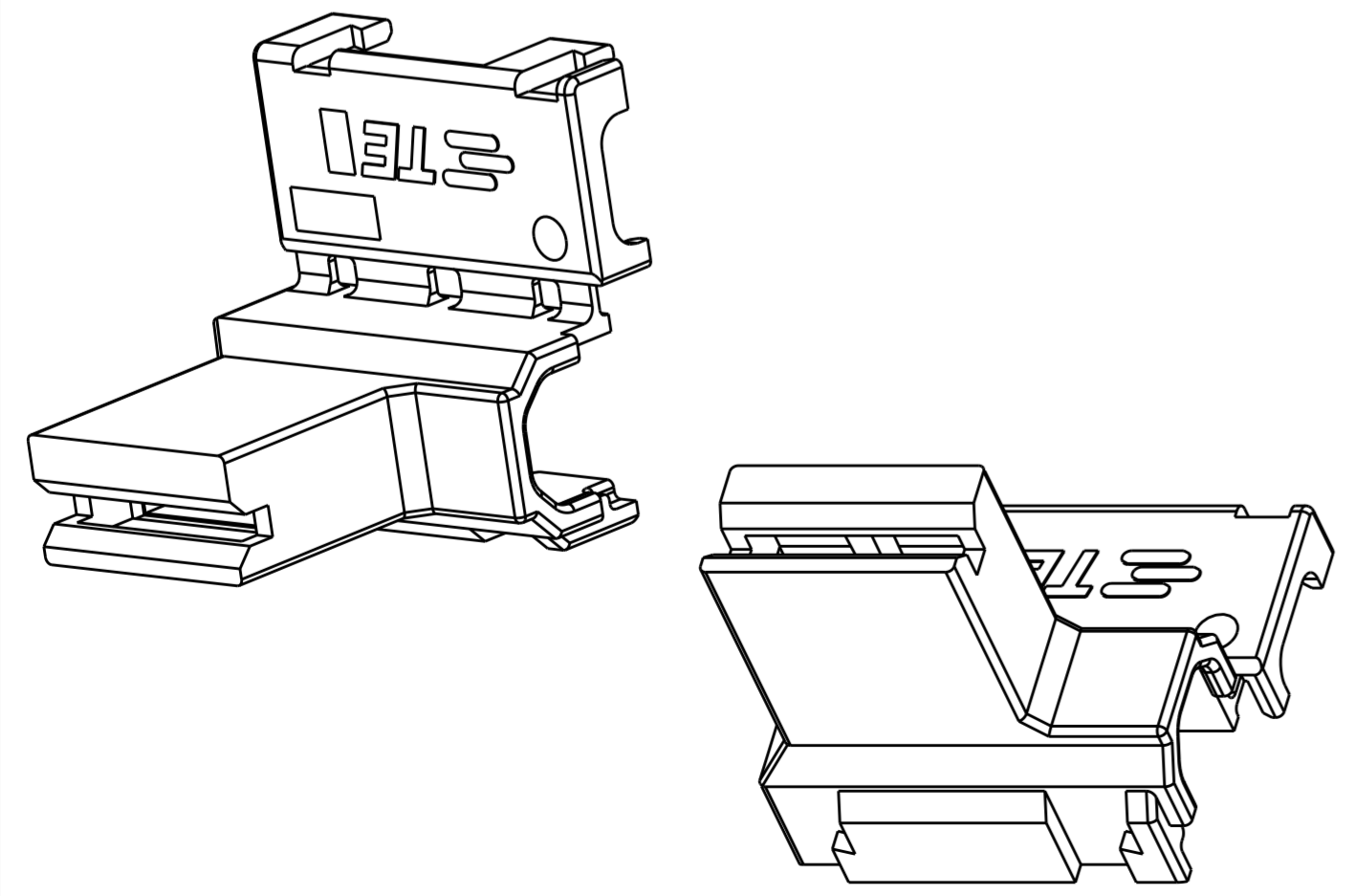
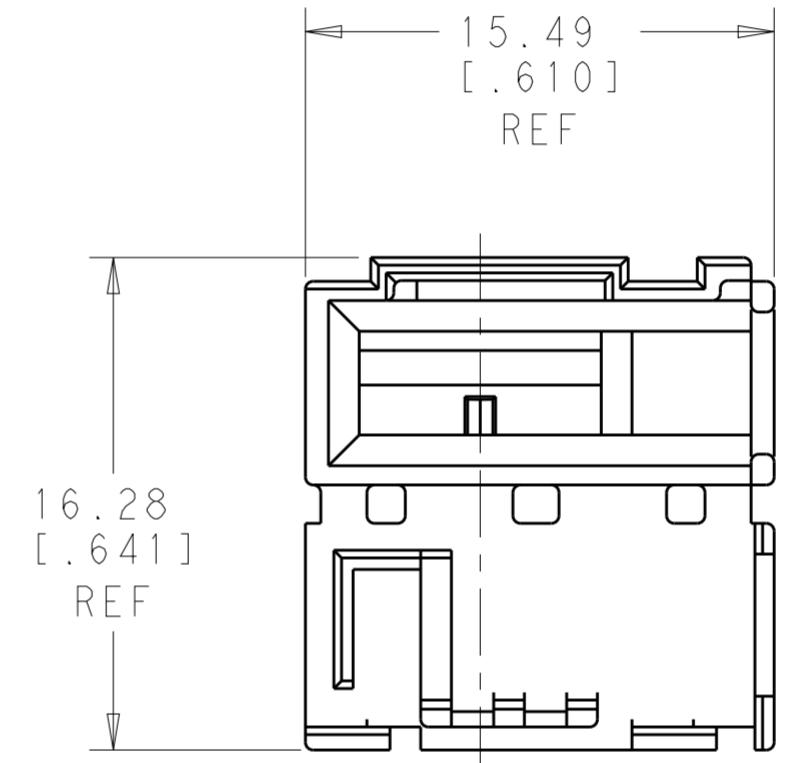
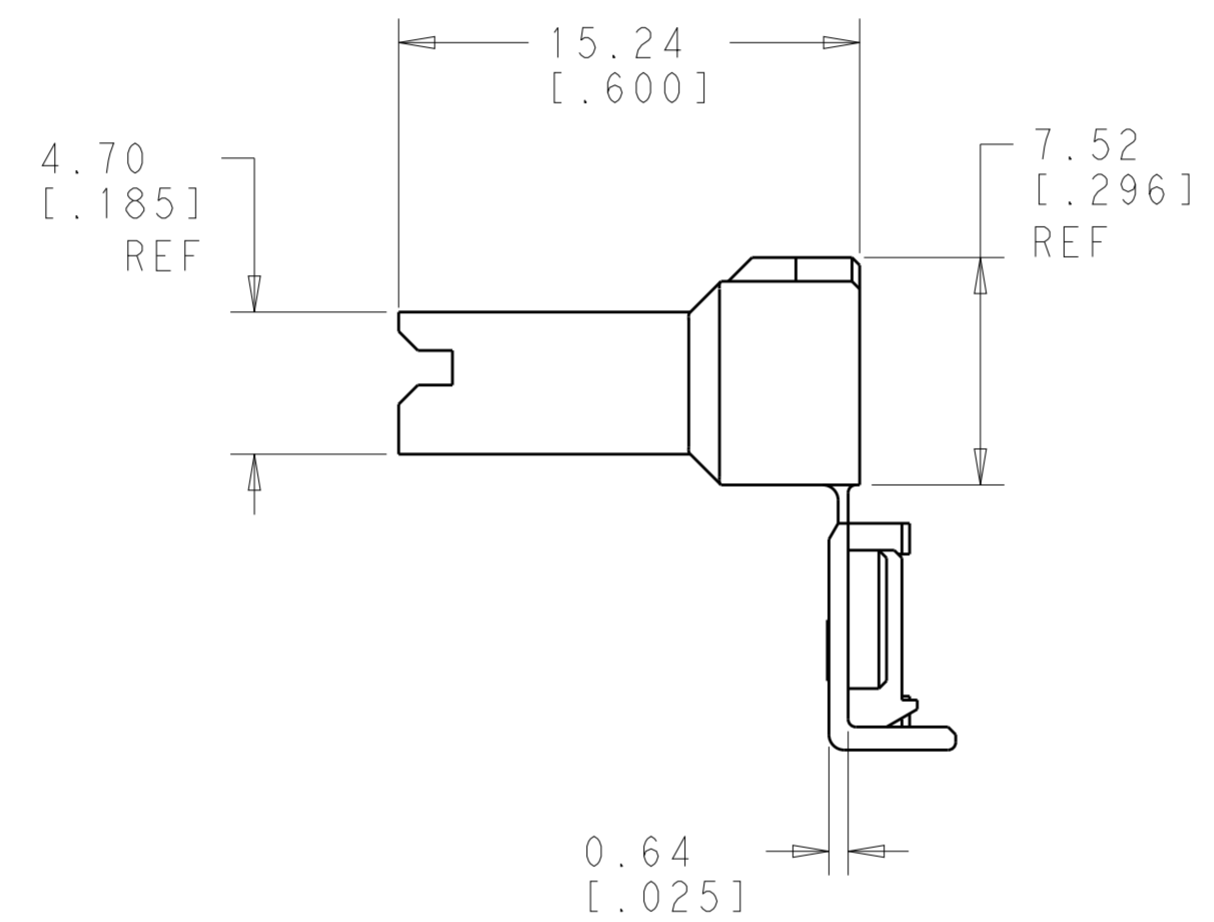
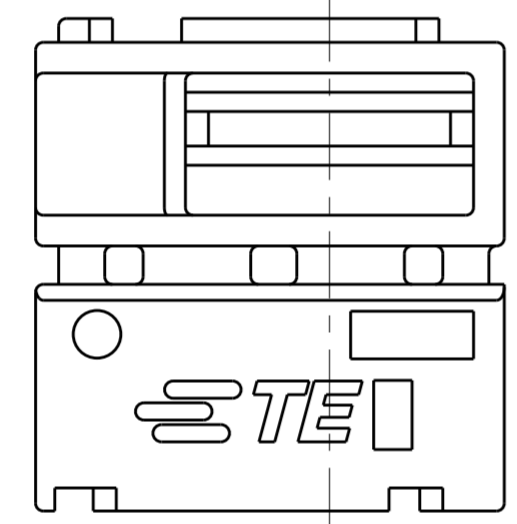


THIS DRAWING IS UNPUBLISHED. RELEASED FOR PUBLICATION
 © COPYRIGHT copyright.d8te- ALL RIGHTS RESERVED.

REVISIONS				
P	LTR	DESCRIPTION	DATE	APVD
B		REVISED PER ECO-18-005718	18APR2018	RS DH
B1		REVISED PER ECR-19-006167	07MAY2019	BDA DH
B2		REVISED PER ECR-19-016225	04OCT2019	BDA DH



- 1 THIS HOUSING ACCEPTS TERMINAL PART NUMBERS 2238209-3, 63538-X, OR 63011-X OR 63009-X.
- 2 IF CRACKS IN THE LIVING HINGE ARE OBSERVED DURING CLOSING THE LID, THIS IS AN INDICATION THAT THE PARTS HAVE BEEN ALLOWED TO DRY-OUT TOO MUCH. RE-MOISTURIZE THE PARTS PER SPECIFICATION 408-143119.

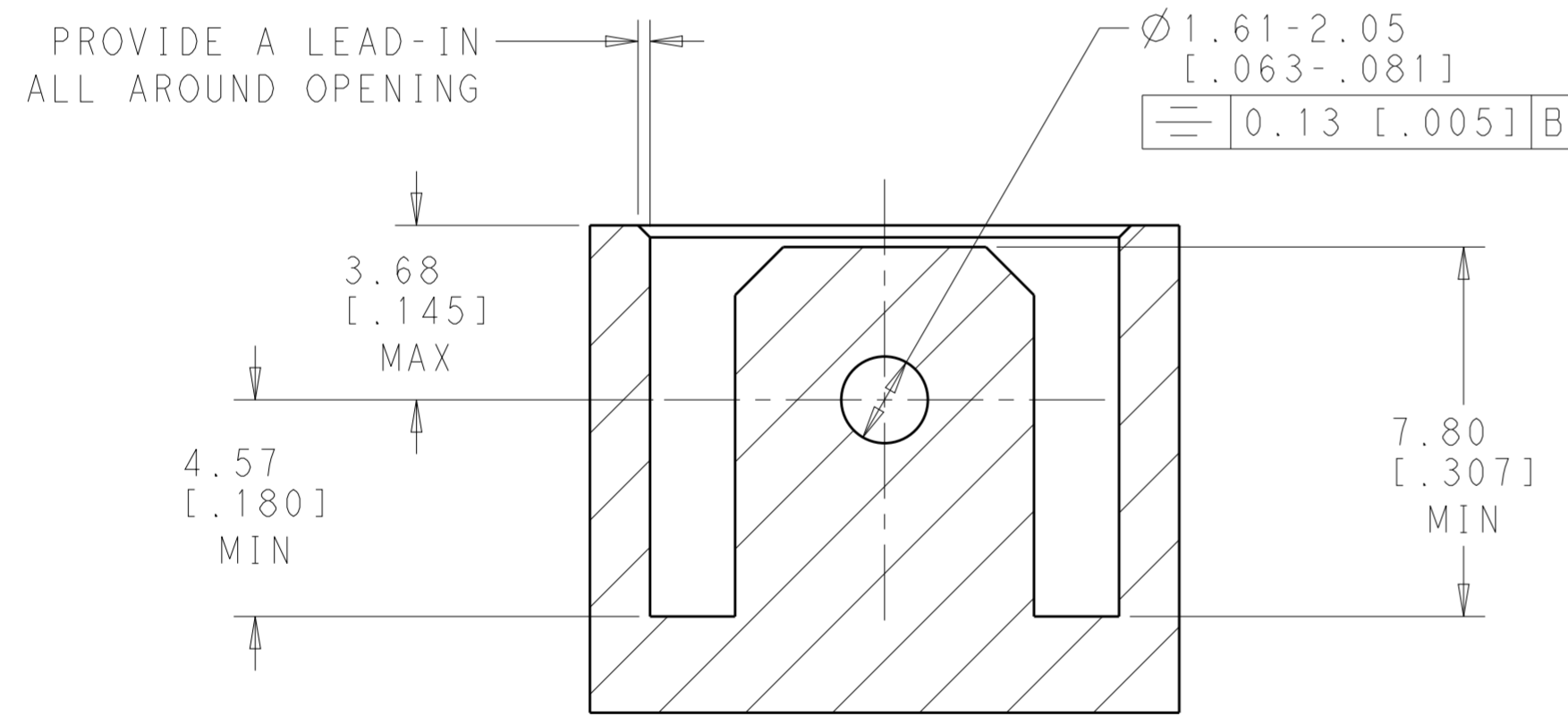
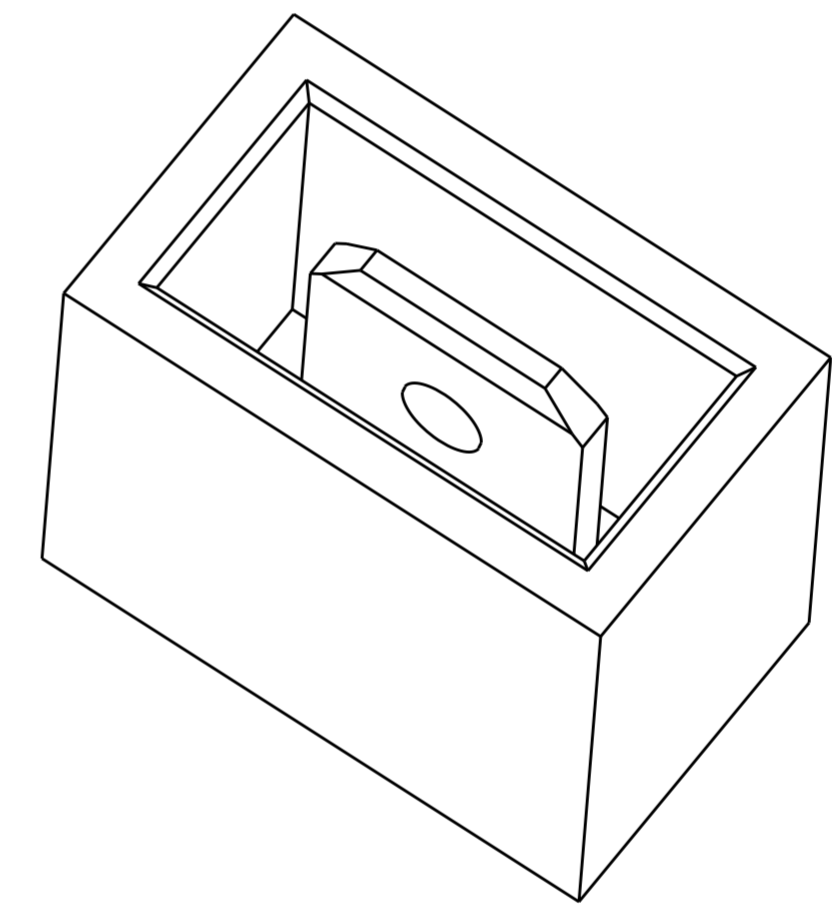
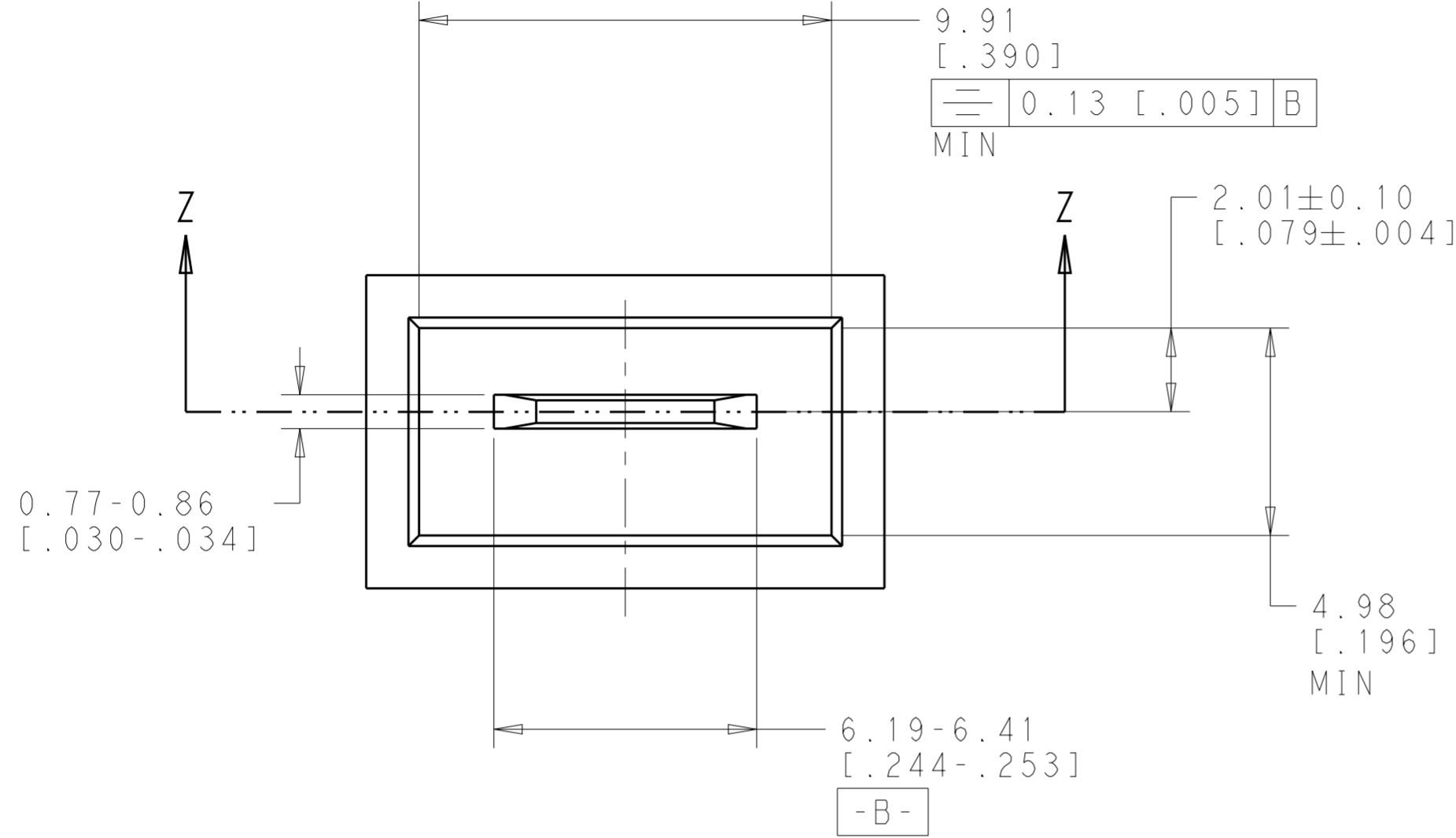


NYLON, UL94V-0, 150°C	1969656-1
MATERIAL	PART NO.

THIS DRAWING IS A CONTROLLED DOCUMENT.		DWN JR RUTH 22OCT13	TE Connectivity NAME HOUSING, RECEPTACLE, FLAG FASTON, LEFT HAND SIZE A2 CAGE CODE - DRAWING NO. C-1969656 RESTRICTED TO - SCALE 4:1 SHEET 1 OF 2 REV B2	
DIMENSIONS: mm [INCHES]		CHK PETE DESANTIS 22OCT13		
TOLERANCES UNLESS OTHERWISE SPECIFIED:		APVD PETE DESANTIS 22OCT13		
0 PLC ± 1 PLC ± 2 PLC ±0.25 [.010] 3 PLC ± 4 PLC ± ANGLES ± FINISH		PRODUCT SPEC - APPLICATION SPEC - WEIGHT -		
MATERIAL SEE TABLE	COLOR-NATURAL	CUSTOMER DRAWING		

THIS DRAWING IS UNPUBLISHED. RELEASED FOR PUBLICATION
 © COPYRIGHT copyright.d8te- ALL RIGHTS RESERVED.

REVISIONS				
P	LTR	DESCRIPTION	DATE	APVD
-	-	SEE SHEET 1	-	-



SECTION Z-Z

THIS DRAWING IS A CONTROLLED DOCUMENT.		DWN JR RUTH 22OCT13	TE Connectivity	
DIMENSIONS: mm [INCHES]		CHK PETE DESANTIS 22OCT13		
TOLERANCES UNLESS OTHERWISE SPECIFIED:		APVD PETE DESANTIS 22OCT13	NAME HOUSING, RECEPTACLE, FLAG FASTON, LEFT HAND	
0 PLC ± 1 PLC ± 2 PLC ±0.25 [.010] 3 PLC ± 4 PLC ± ANGLES ± FINISH ±		PRODUCT SPEC -	SIZE CAGE CODE DRAWING NO RESTRICTED TO	
MATERIAL SEE TABLE		APPLICATION SPEC -	A2 age_c o G-1969656	
COLOR-NATURAL		WEIGHT -	SCALE 4:1 SHEET 2 OF 2 REV B2	
CUSTOMER DRAWING				

单击下面可查看定价，库存，交付和生命周期等信息

[>>TE Connectivity\(泰科\)](#)