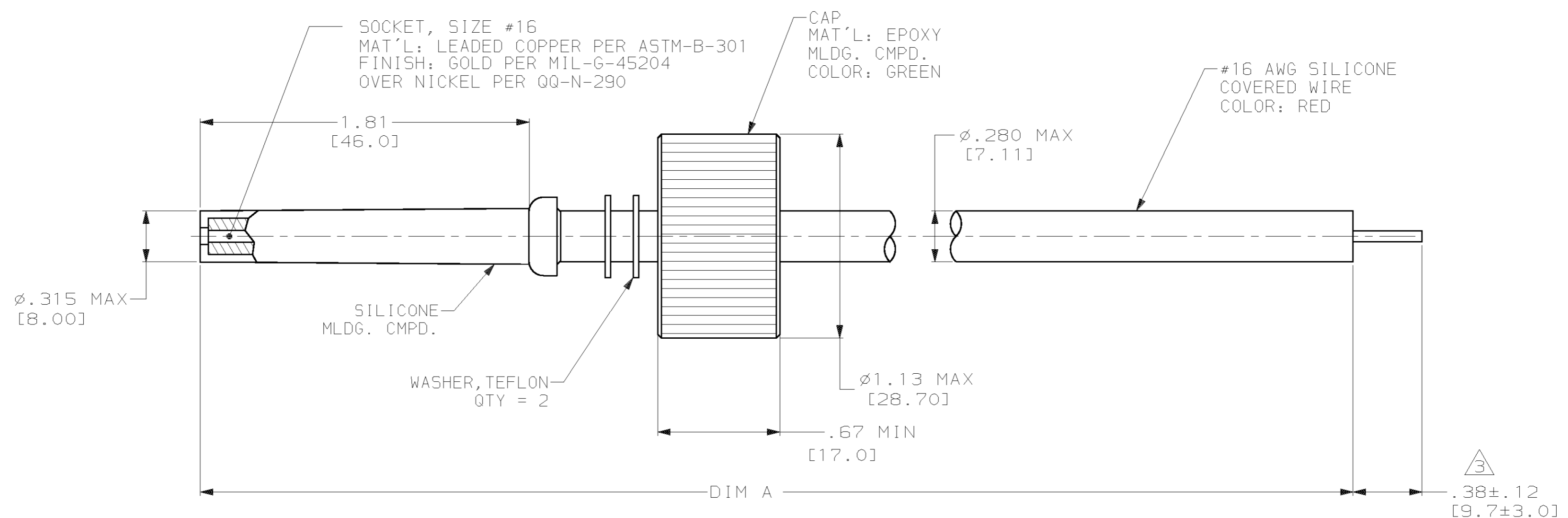


THIS DRAWING IS UNPUBLISHED. RELEASED FOR PUBLICATION
 © COPYRIGHT 19 BY AMP INCORPORATED. ALL INTERNATIONAL RIGHTS RESERVED.

LOC	DIST	P	F	ZONE	LTR	DESCRIPTION	DATE	APPD
DF	50				A	ADD -2 PER 063D-0482-00 CT	10-00	DE



67.00±.67 [1701.8±17.0]	1218110-2
60.00±.60 [1524.0±15.2]	1218110-1
DIM A	PART NUMBER

1. MARKED PER MIL-STD-130.
2. LEADS WILL MATE WITH AMP LGH-3 RECEPTACLE WITH 1.81 [46.0] BARREL DEPTH.
3. PIGTAIL IS SOLDER DIPPED.
4. OPERATING VOLTAGE: 40 KVDC AT 0 TO 70,000 FEET, -55°C TO 125°C.

DO NOT SCALE PRINT. UNLESS SPECIFIED DIMENSIONS IN INCHES [mm] TOLERANCES ON : 2 PLC DEC ± .02 [0.5] 3 PLC DEC ± - ANGLES ± -	DR 1-21-98 C.C.THOMAS CHK 1-21-98 D.EABY APPD 1-21-98 D.EABY RLSE 1-21-98 C.C.THOMAS	AMP Incorporated Harrisburg, PA 17105-3608	
MATERIAL SEE CALLOUTS	PRODUCT SPEC -		
FINISH SEE CALLOUTS	APPLICATION SPEC -	SIZE C 00779	DRAWING NO C=1218110
	WEIGHT -	SCALE 2:1	SHEET 1 OF 1

THIS DRAWING IS A CONTROLLED DOCUMENT FOR AMP INCORPORATED. IT IS SUBJECT TO CHANGE AND THE CONTROLLING ENGINEERING ORGANIZATION SHOULD BE CONTACTED FOR THE LATEST REVISION.

单击下面可查看定价，库存，交付和生命周期等信息

[>>TE Connectivity\(泰科\)](#)