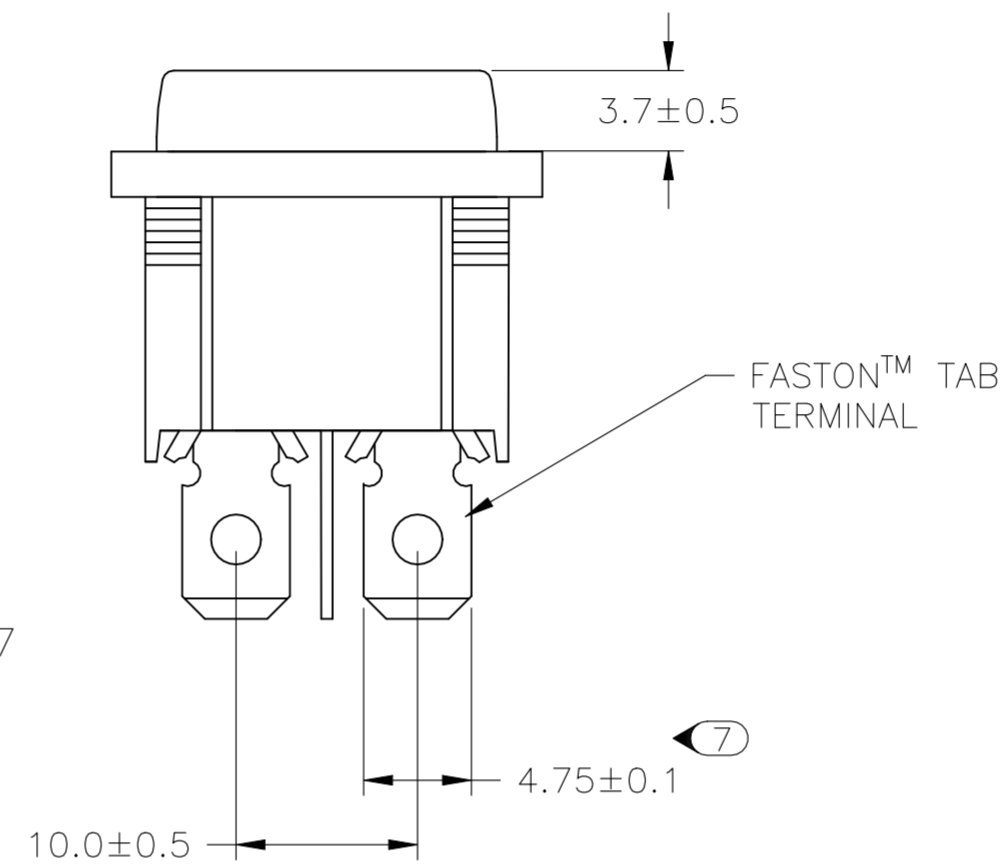
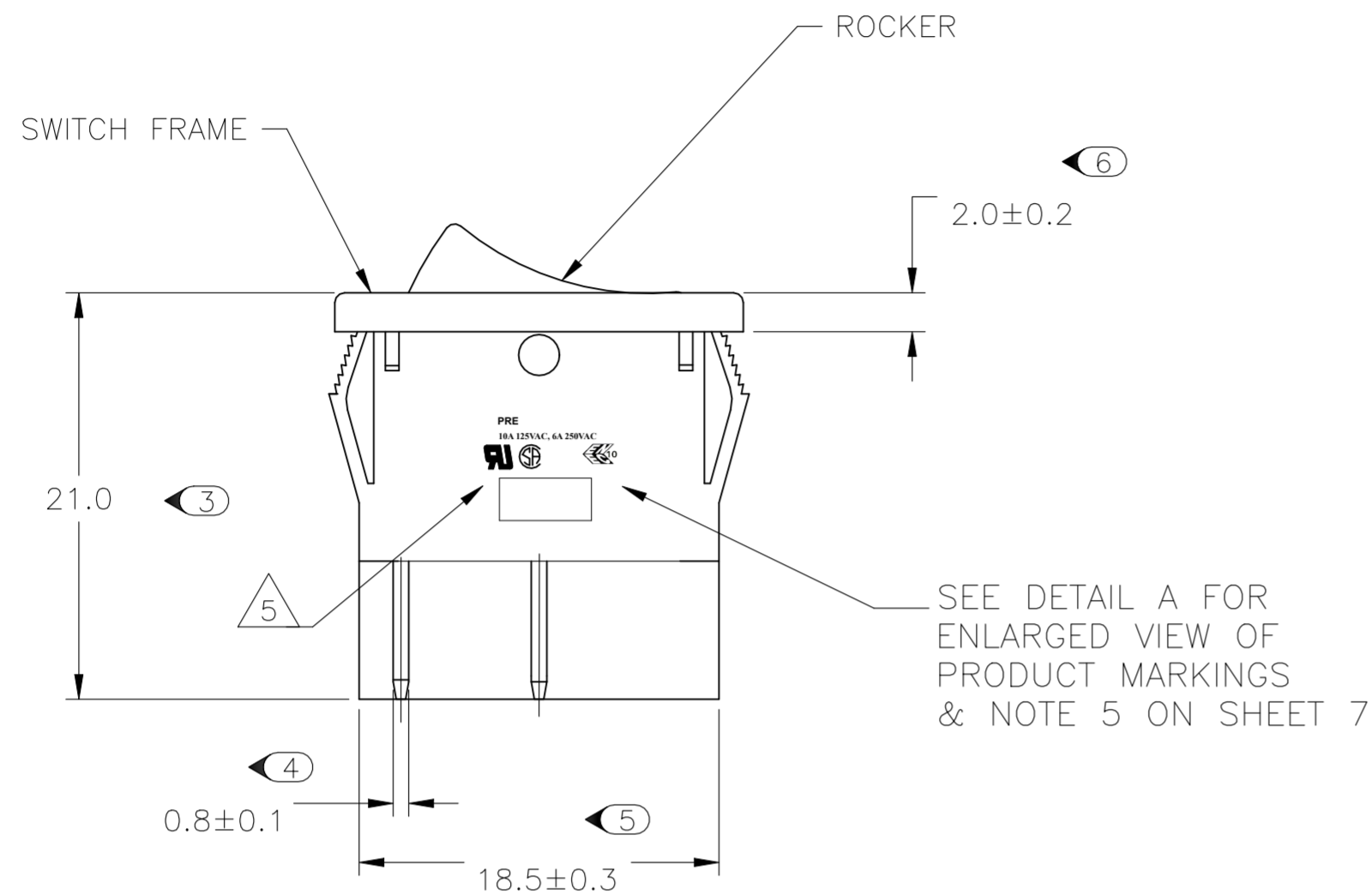
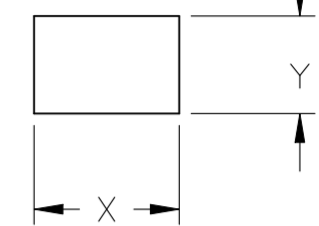


| REVISIONS | | | | | |
|-----------|-----|---------------------------|-----------|-----|------|
| P | LTR | DESCRIPTION | DATE | DWN | APVD |
| F | | REVISED PER ECO-20-013571 | 17FEB2021 | SR | JB |

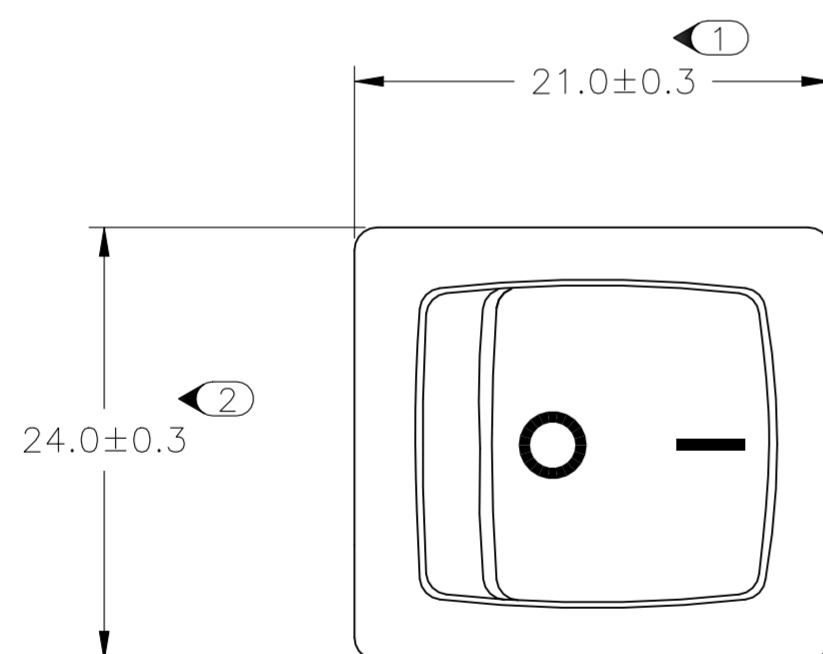
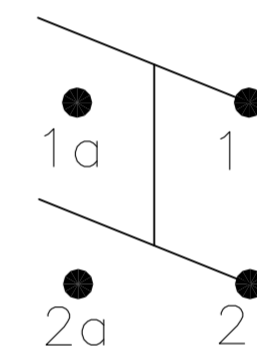


PANEL CUT OUT



| | | |
|-----------------|-------|-------|
| 2.00-3.00 | 20.20 | 22.20 |
| 1.25-2.00 | 19.60 | 22.20 |
| 0.75-1.25 | 19.40 | 22.20 |
| PANEL THICKNESS | X | Y |

CIRCUIT DIAGRAM



1634200-2 SHOWN ON-OFF

**PRODUCT MARKING
DETAIL A**

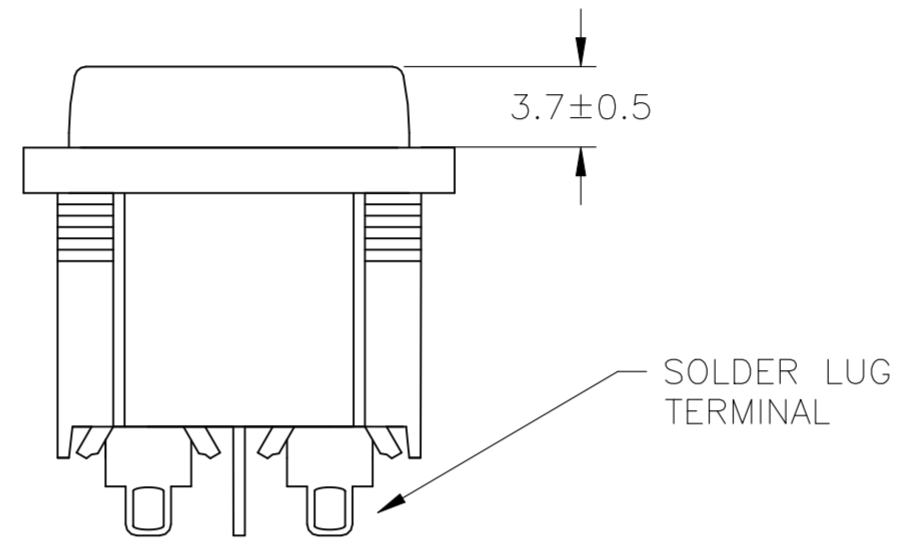
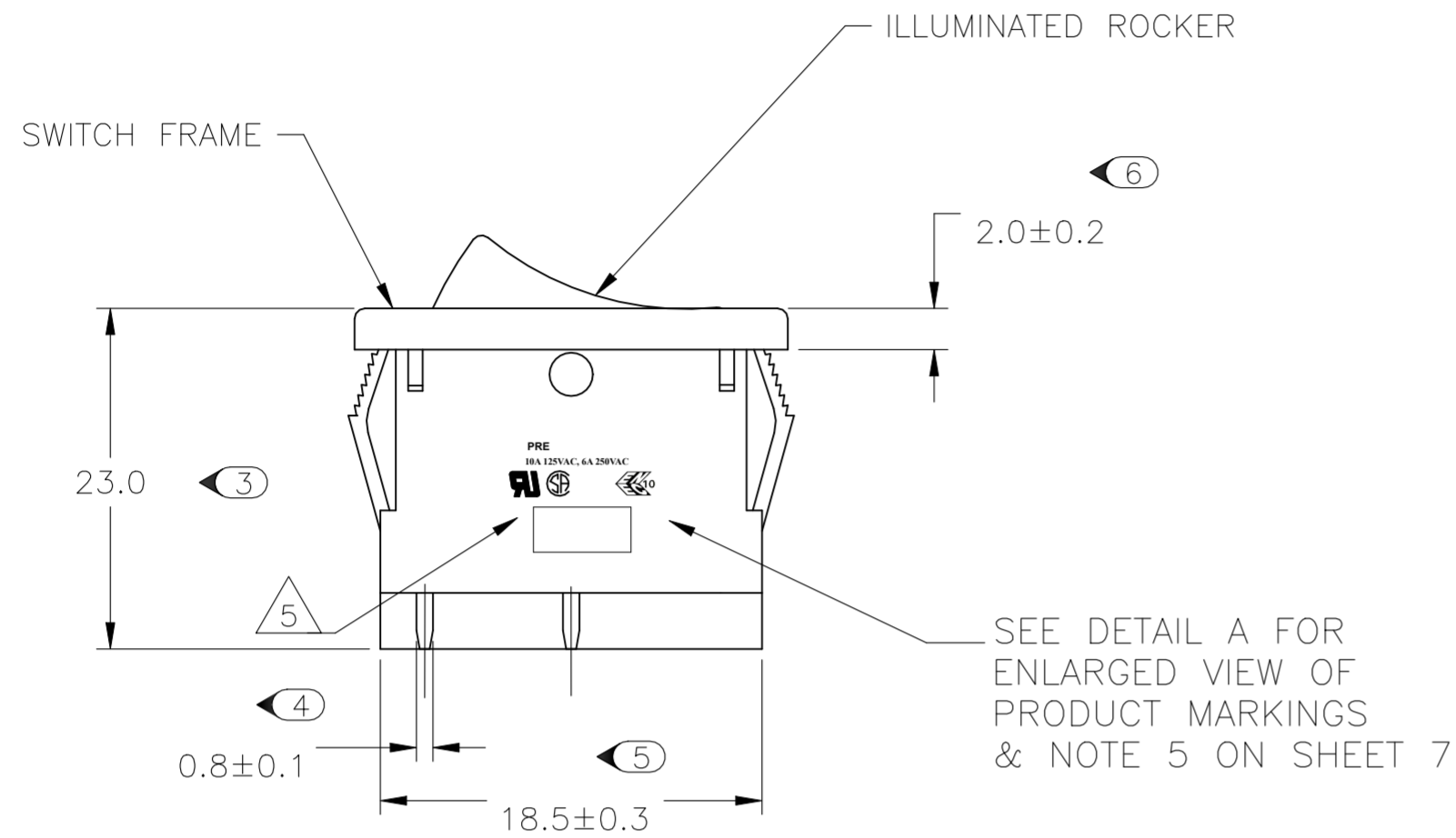
PRE
10A 125VAC, 6A 250VAC



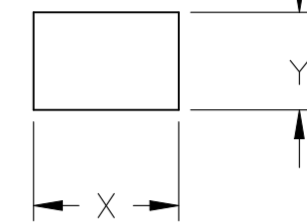
TYCO ELECTRONICS LOGO
PER TEC-202-36

| | | | | |
|--|--|-----------------------|--|----------------------|
| THIS DRAWING IS A CONTROLLED DOCUMENT. | | DWN SA008712 2-4-07 | TE Connectivity Ltd. | |
| DIMENSIONS: mm | | CHK - | NAME POWER ROCKER SWITCH 19,4MM X 22,2mm PANEL SIZE DPST, NON-ILLUMINATED | |
| TOLERANCES UNLESS OTHERWISE SPECIFIED: | | APVD - | PRODUCT SPEC - | |
| 0 PLC ± - | | PRODUCT SPEC - | APPLICATION SPEC - | |
| 1 PLC ± - | | APPLY TO THIS DRAWING | SIZE A2 | |
| 2 PLC ± - | | WEIGHT - | CAGE CODE 00779 | DRAWING NO C=1634200 |
| 3 PLC ± - | | FINISH - | RESTRICTED TO - | |
| 4 PLC ± - | | MATERIAL - | SCALE 3:1 SHEET 1 OF 7 REV F | |
| ANGLES ± - | | CUSTOMER DRAWING | | |

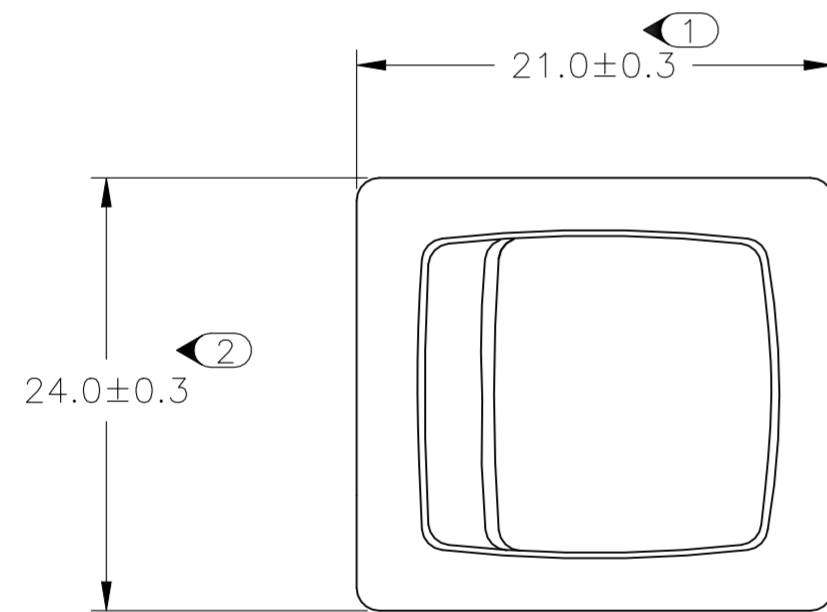
| REVISIONS | | | | | |
|-----------|-----|-------------|------|-----|------|
| P | LTR | DESCRIPTION | DATE | DWN | APVD |
| - | - | SEE SHEET 1 | - | - | - |



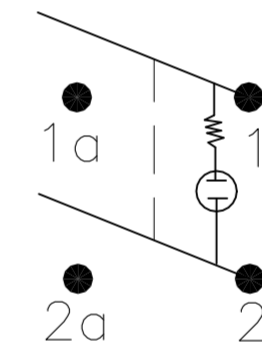
PANEL CUT OUT



| | | |
|-----------------|-------|-------|
| 2.00-3.00 | 20.20 | 22.20 |
| 1.25-2.00 | 19.60 | 22.20 |
| 0.75-1.25 | 19.40 | 22.20 |
| PANEL THICKNESS | X | Y |



CIRCUIT DIAGRAM



**PRODUCT MARKING
DETAIL A**

**PRE
10A 125VAC, 6A 250VAC**

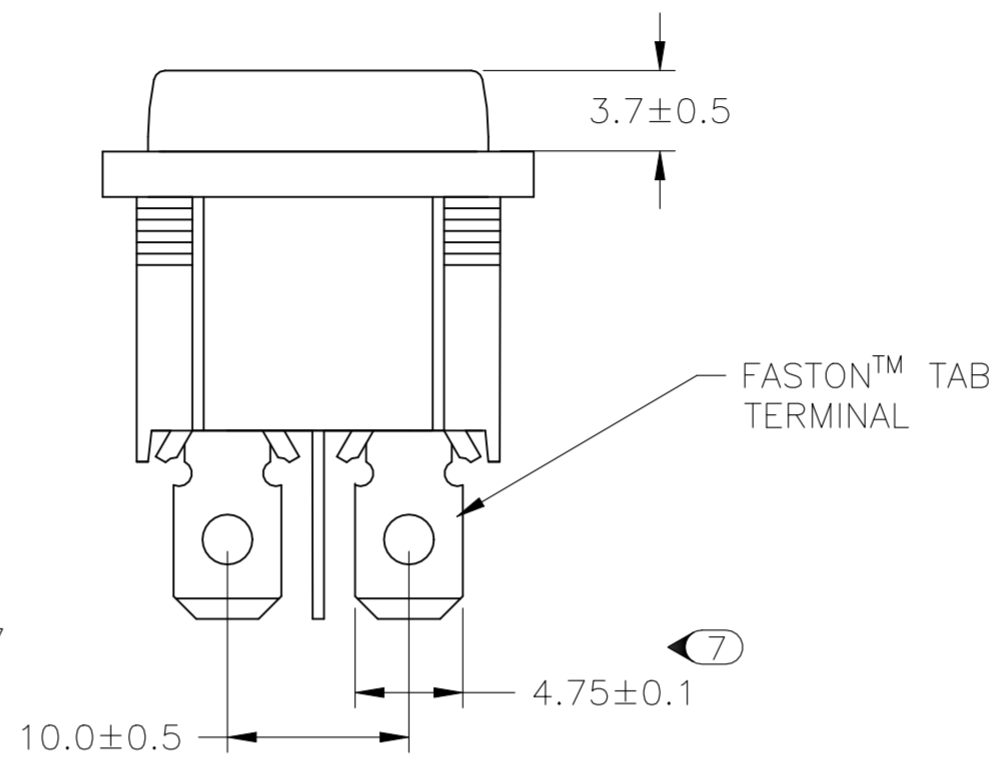
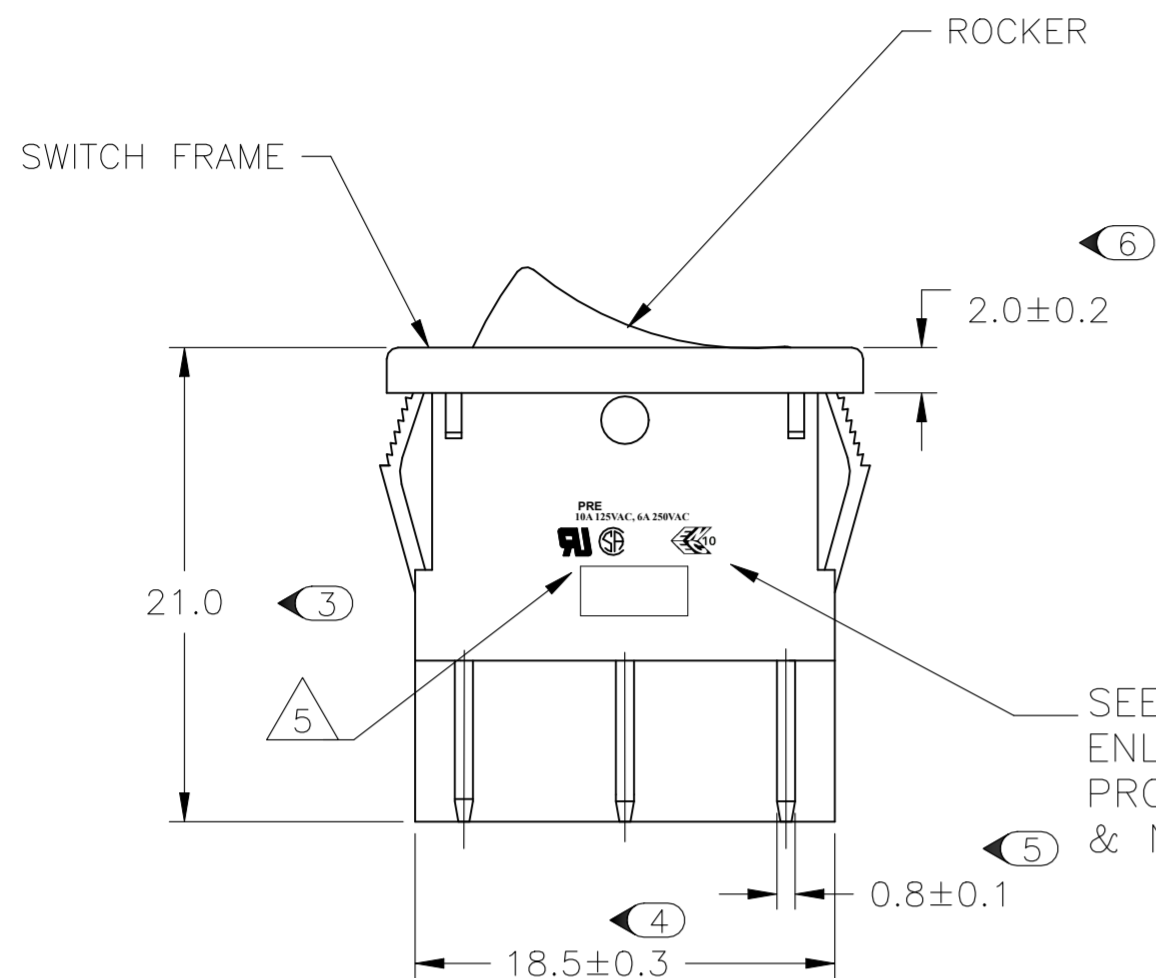


TYCO ELECTRONICS LOGO
PER TEC-202-36

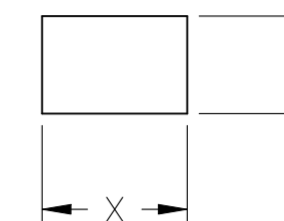
 OBSOLETE
~~1634200-8~~ SHOWN ON-OFF ILLUMINATED

| | | | | |
|--|--|---------------------|--|-----------------|
| THIS DRAWING IS A CONTROLLED DOCUMENT. | | DWN SA008712 2-4-07 | TE Connectivity Ltd. | |
| DIMENSIONS: mm | | CHK - | NAME POWER ROCKER SWITCH 19,4MM X 22,2mm PANEL SIZE DPST, NON-ILLUMINATED | |
| TOLERANCES UNLESS OTHERWISE SPECIFIED: | | APVD - | PRODUCT SPEC - | |
| 0 PLC ± - | | PRODUCT SPEC - | APPLICATION SPEC - | |
| 1 PLC ± - | | WEIGHT - | SIZE A2 | CAGE CODE 00779 |
| 2 PLC ± - | | FINISH - | DRAWING NO C=1634200 | RESTRICTED TO - |
| 3 PLC ± - | | | SCALE 3:1 | SHEET 2 OF 7 |
| 4 PLC ± - | | | REV F | |
| ANGLES ± - | | | | |
| MATERIAL - | | | | |
| CUSTOMER DRAWING | | | | |

| REVISIONS | | | | | |
|-----------|-----|-------------|------|-----|------|
| P | LTR | DESCRIPTION | DATE | DWN | APVD |
| - | - | SEE SHEET 1 | - | - | - |

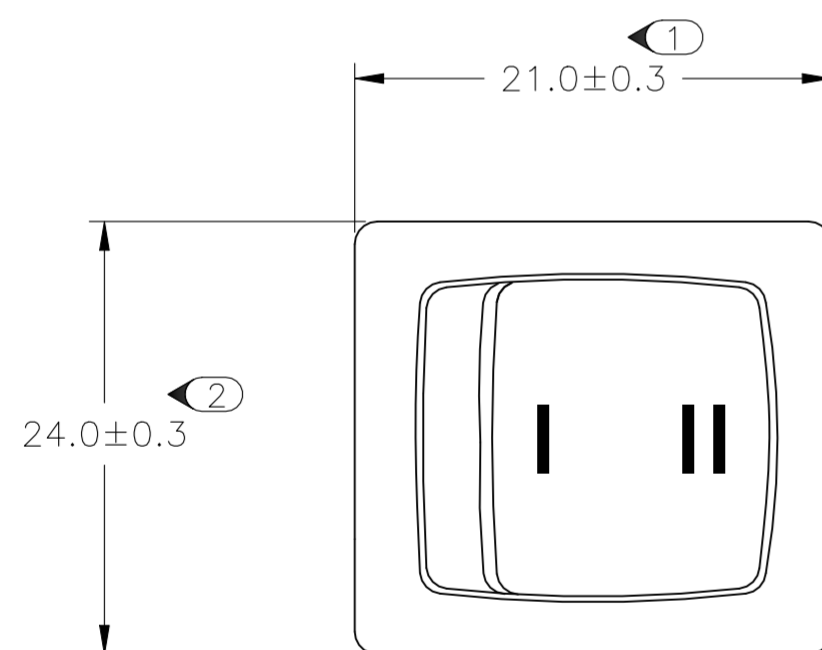


PANEL CUT OUT

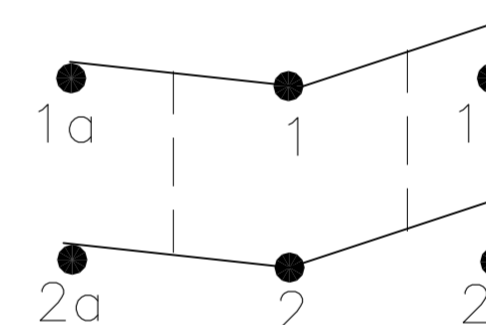


| | | |
|-----------------|-------|-------|
| 2.00-3.00 | 20.20 | 22.20 |
| 1.25-2.00 | 19.60 | 22.20 |
| 0.75-1.25 | 19.40 | 22.20 |
| PANEL THICKNESS | X | Y |

SEE DETAIL A FOR ENLARGED VIEW OF PRODUCT MARKINGS & NOTE 5 ON SHEET 7



CIRCUIT DIAGRAM



PRODUCT MARKING
DETAIL A

PRE
10A 125VAC, 6A 250VAC

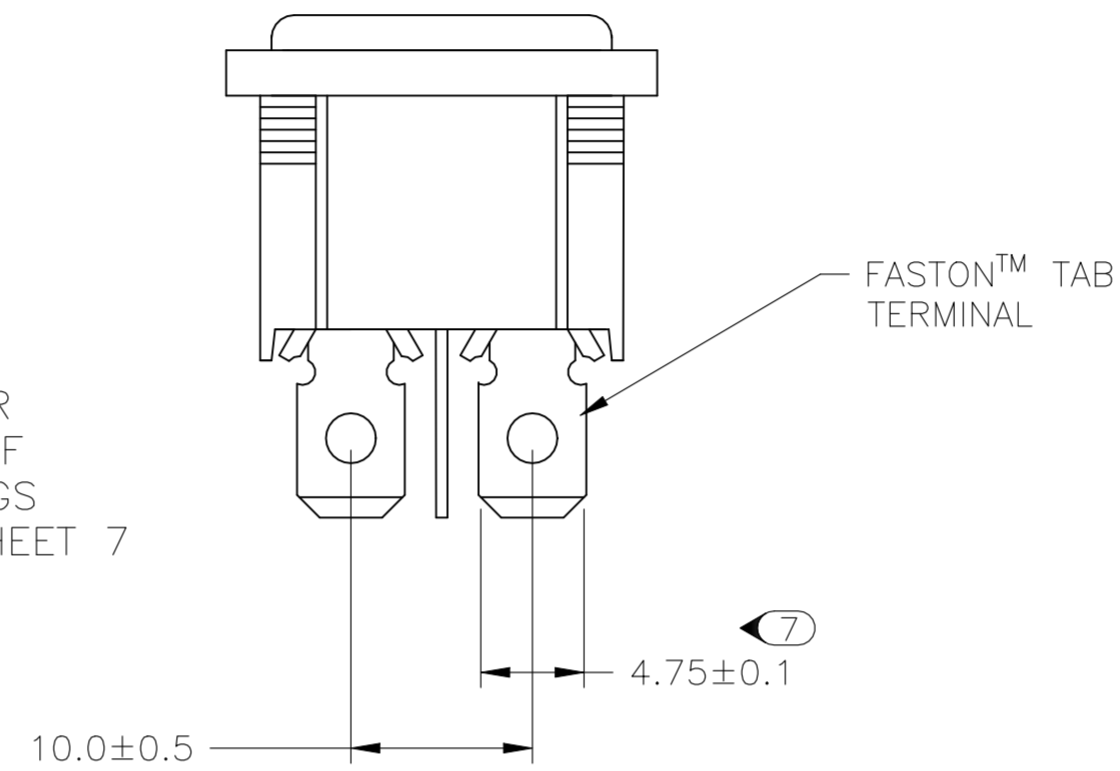
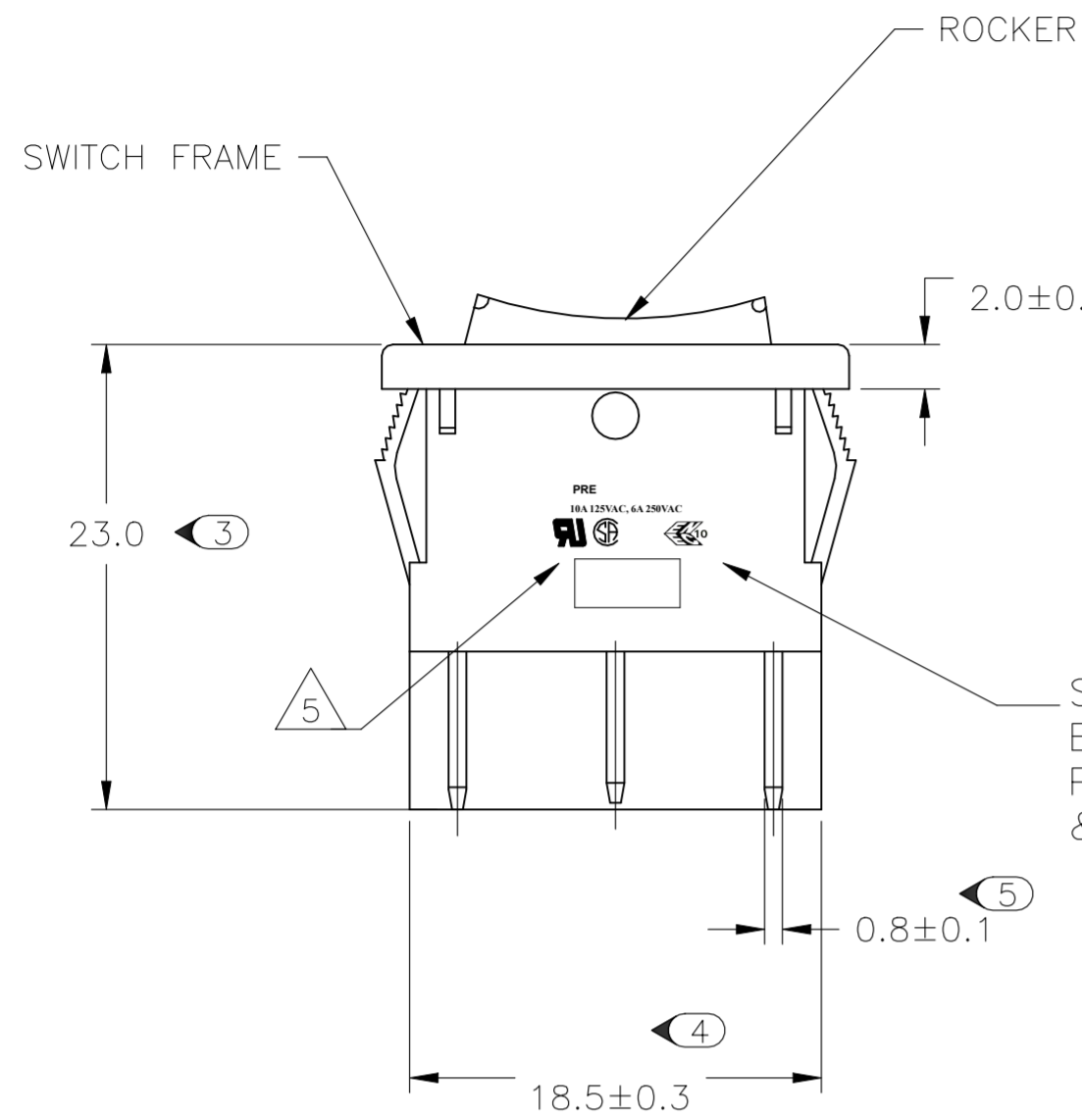


TYCO ELECTRONICS LOGO
PER TEC-202-36

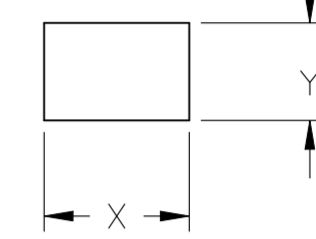
8 1-1634200-2 SHOWN ON-ON

| | | | | | |
|---|----------|------------------|--------------------|---|----------------------|
| THIS DRAWING IS A CONTROLLED DOCUMENT. | | DWN SA008712 | 2-4-07 | TE Connectivity Ltd. | |
| DIMENSIONS: mm | | CHK - | APVD - | NAME | |
| TOLERANCES UNLESS OTHERWISE SPECIFIED: | | PRODUCT SPEC - | APPLICATION SPEC - | POWER ROCKER SWITCH 19,4MM X 22,2mm PANEL SIZE DPST, NON-ILLUMINATED | |
| 0 PLC ± - 1 PLC ± - 2 PLC ± - 3 PLC ± - 4 PLC ± - ANGLES ± - | | WEIGHT - | SCALE A2 | CAGE CODE 00779 | DRAWING NO C=1634200 |
| MATERIAL - | FINISH - | CUSTOMER DRAWING | | RESTRICTED TO - | REV F |
| | | | SCALE 3:1 | SHEET 3 OF 7 | REV F |

| REVISIONS | | | | | |
|-----------|-----|-------------|------|-----|------|
| P | LTR | DESCRIPTION | DATE | DWN | APVD |
| - | - | SEE SHEET 1 | - | - | - |

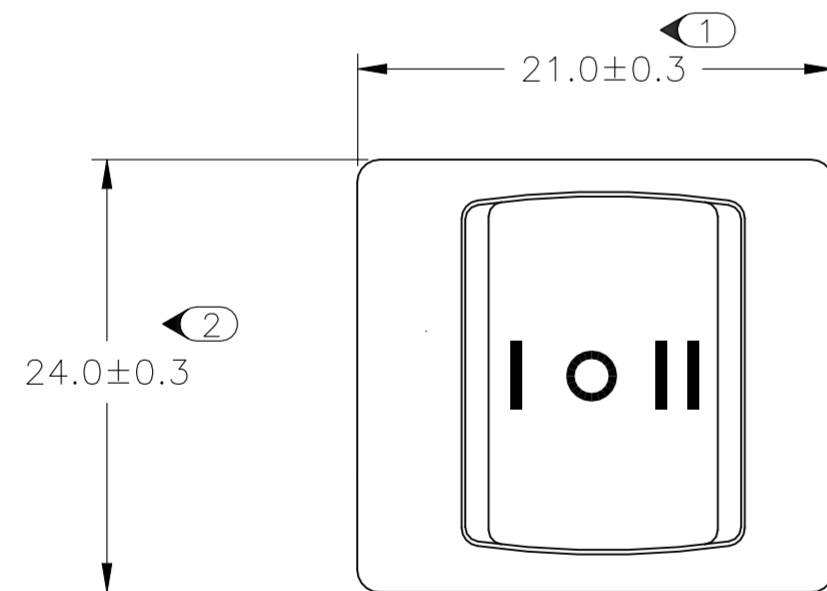


PANEL CUT OUT

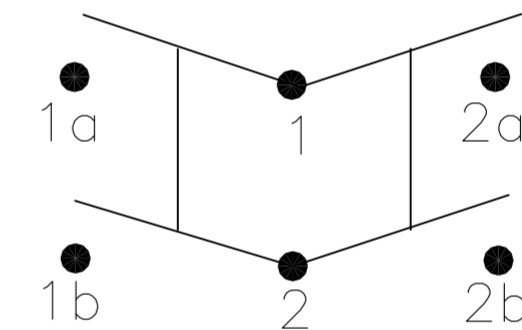


| | | |
|-----------------|-------|-------|
| 2.00-3.00 | 20.20 | 22.20 |
| 1.25-2.00 | 19.60 | 22.20 |
| 0.75-1.25 | 19.40 | 22.20 |
| PANEL THICKNESS | X | Y |

SEE DETAIL A FOR ENLARGED VIEW OF PRODUCT MARKINGS & NOTE 5 ON SHEET 7



CIRCUIT DIAGRAM



**PRODUCT MARKING
DETAIL A**

**PRE
10A 125VAC, 6A 250VAC**

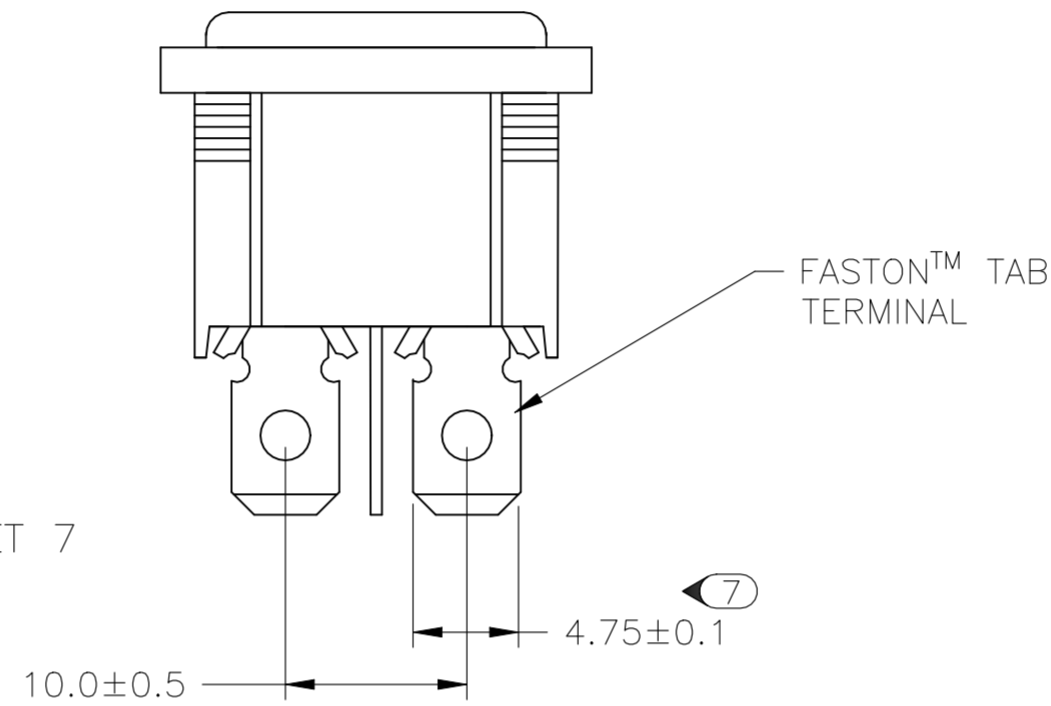
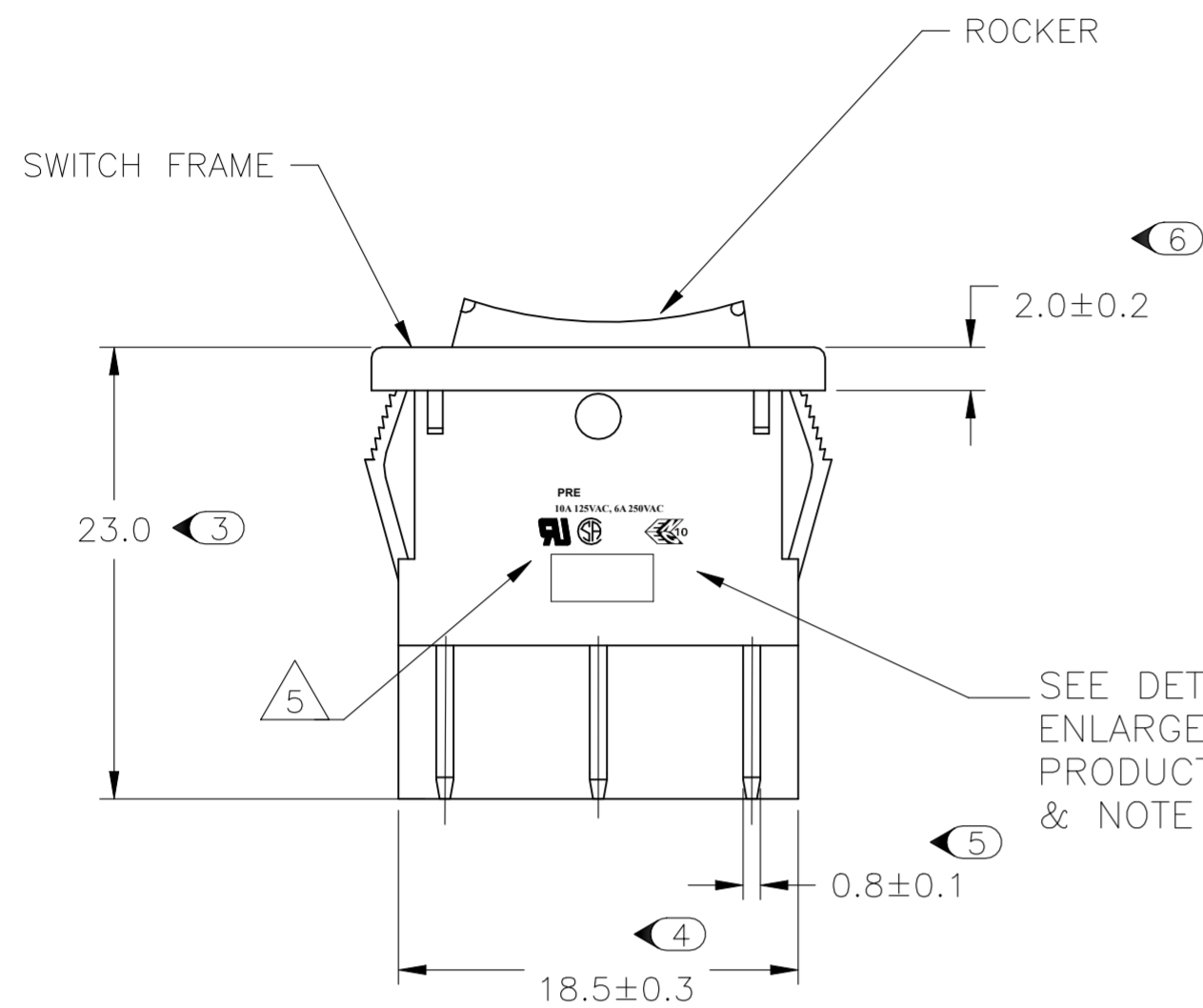


TYCO ELECTRONICS LOGO
PER TEC-202-36

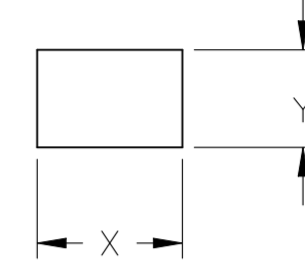
9 1-1634200-7 SHOWN ON-OFF-ON

| | | | | |
|--|--|---------------------|--|-----------------|
| THIS DRAWING IS A CONTROLLED DOCUMENT. | | DWN SA008712 2-4-07 | TE Connectivity Ltd. | |
| DIMENSIONS: mm | | CHK - | NAME POWER ROCKER SWITCH 19,4MM X 22,2mm PANEL SIZE DPST, NON-ILLUMINATED | |
| TOLERANCES UNLESS OTHERWISE SPECIFIED: | | APVD - | PRODUCT SPEC - | |
| 0 PLC ± - | | APPLICATION SPEC - | SIZE A2 | CAGE CODE 00779 |
| 1 PLC ± - | | WEIGHT - | DRAWING NO C=1634200 | RESTRICTED TO - |
| 2 PLC ± - | | CUSTOMER DRAWING | | |
| 3 PLC ± - | | SCALE 3:1 | SHEET 4 OF 7 | REV F |
| 4 PLC ± - | | | | |
| ANGLES ± - | | | | |
| FINISH - | | | | |

| REVISIONS | | | | | |
|-----------|-----|-------------|------|-----|------|
| P | LTR | DESCRIPTION | DATE | DWN | APVD |
| - | - | SEE SHEET 1 | - | - | - |

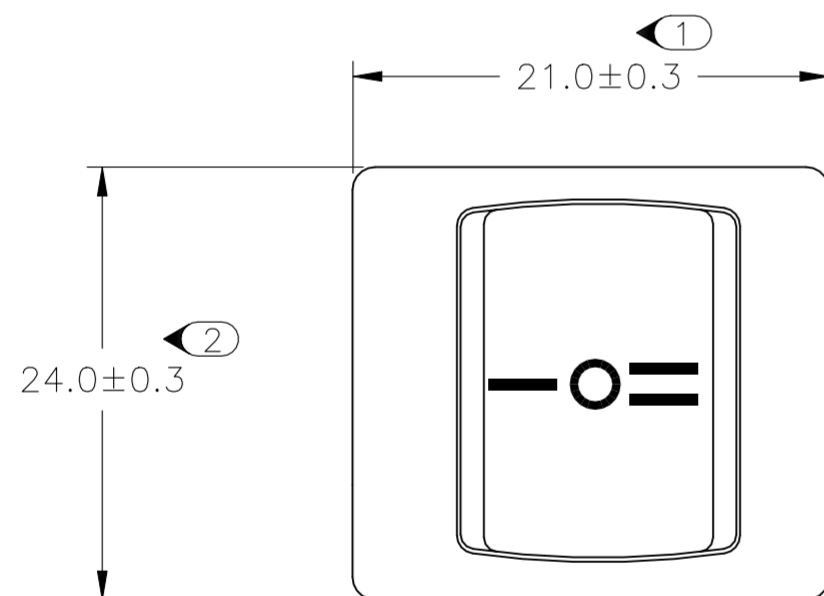
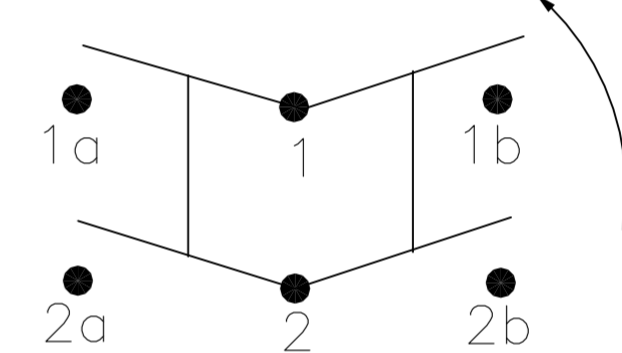


PANEL CUT OUT



| | | |
|-----------------|-------|-------|
| 2.00-3.00 | 20.20 | 22.20 |
| 1.25-2.00 | 19.60 | 22.20 |
| 0.75-1.25 | 19.40 | 22.20 |
| PANEL THICKNESS | X | Y |

CIRCUIT DIAGRAM



SEE DETAIL A FOR ENLARGED VIEW OF PRODUCT MARKINGS & NOTE 5 ON SHEET 7

**PRODUCT MARKING
DETAIL A**

**PRE
10A 125VAC, 6A 250VAC**

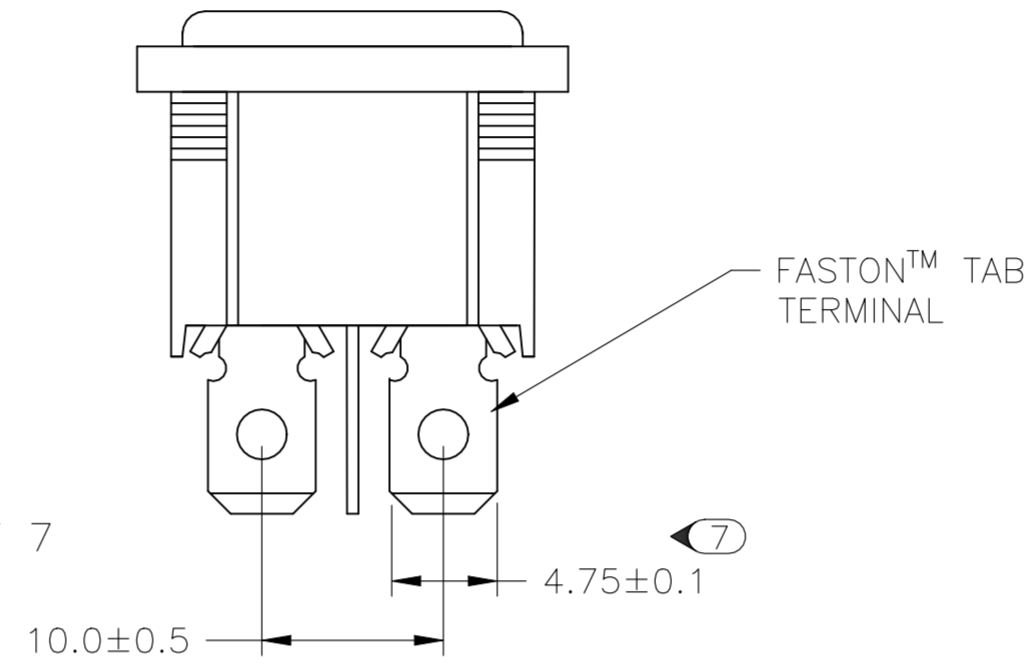
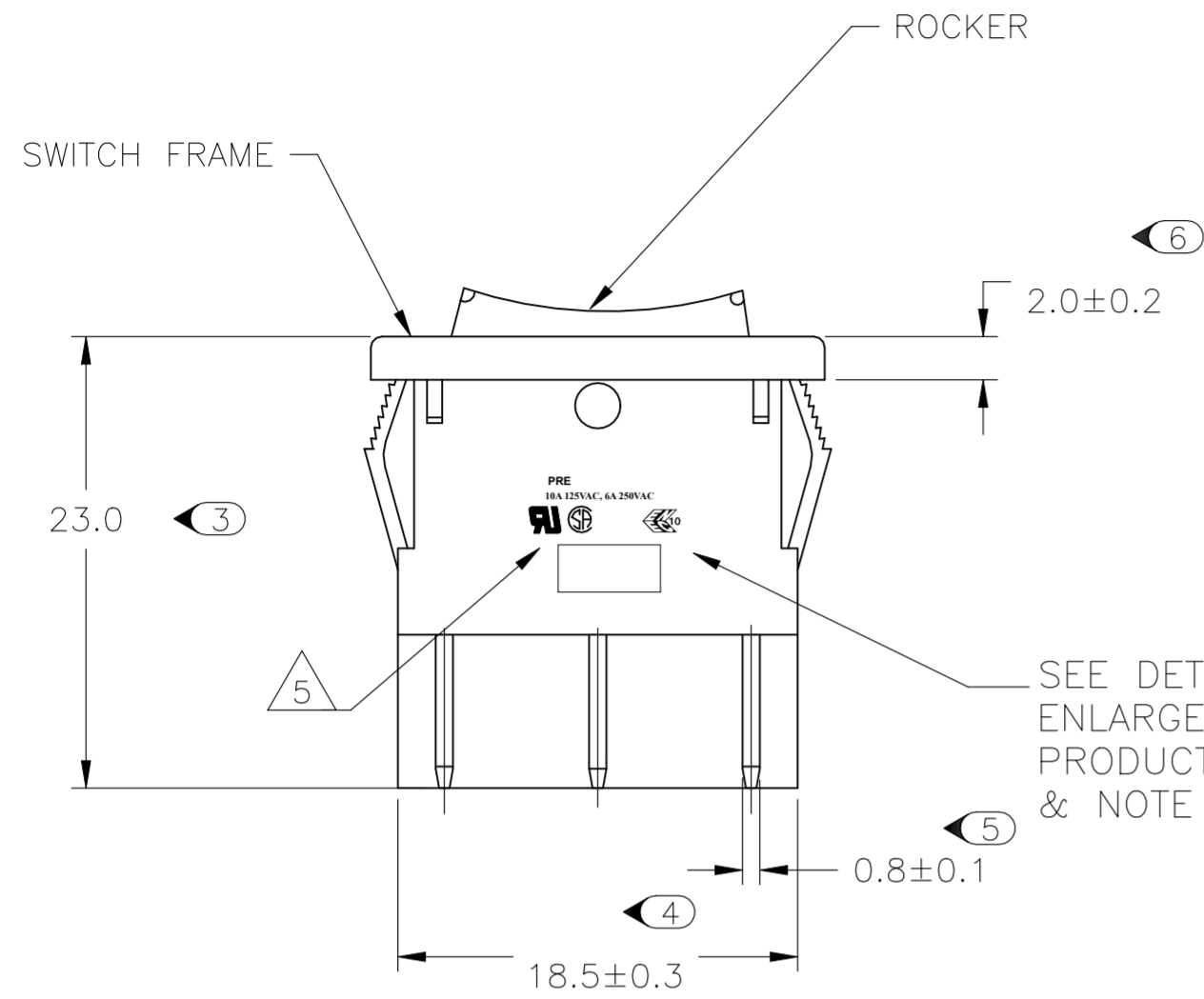


TYCO ELECTRONICS LOGO
PER TEC-202-36

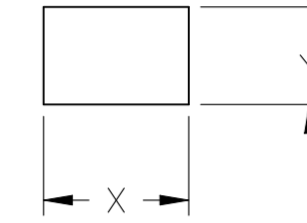
10 2-1634200-3 SHOWN ON-OFF-(ON)

| | | | | |
|--|--|---------------------|--|-----------------|
| THIS DRAWING IS A CONTROLLED DOCUMENT. | | DWN SA008712 2-4-07 | TE Connectivity Ltd. | |
| DIMENSIONS: mm | | CHK - | NAME POWER ROCKER SWITCH 19,4MM X 22,2mm PANEL SIZE DPST, NON-ILLUMINATED | |
| TOLERANCES UNLESS OTHERWISE SPECIFIED: | | APVD - | PRODUCT SPEC - | |
| 0 PLC ± - | | PRODUCT SPEC - | APPLICATION SPEC - | |
| 1 PLC ± - | | WEIGHT - | SIZE A2 | CAGE CODE 00779 |
| 2 PLC ± - | | FINISH - | DRAWING NO C=1634200 | RESTRICTED TO - |
| 3 PLC ± - | | | SCALE 3:1 | SHEET 5 OF 7 |
| 4 PLC ± - | | | REV F | |
| ANGLES ± - | | | | |
| MATERIAL - | | | | |
| CUSTOMER DRAWING | | | | |

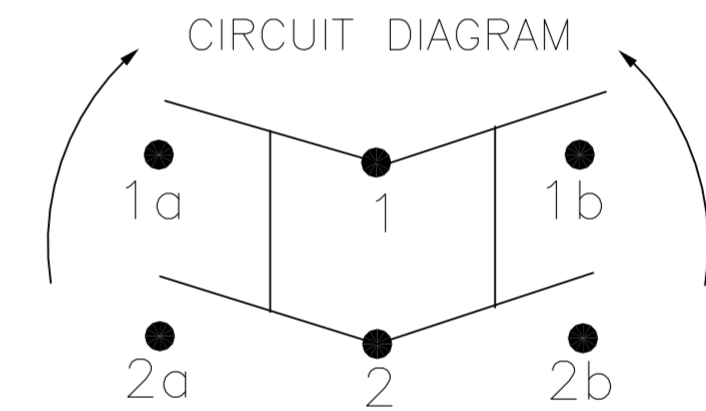
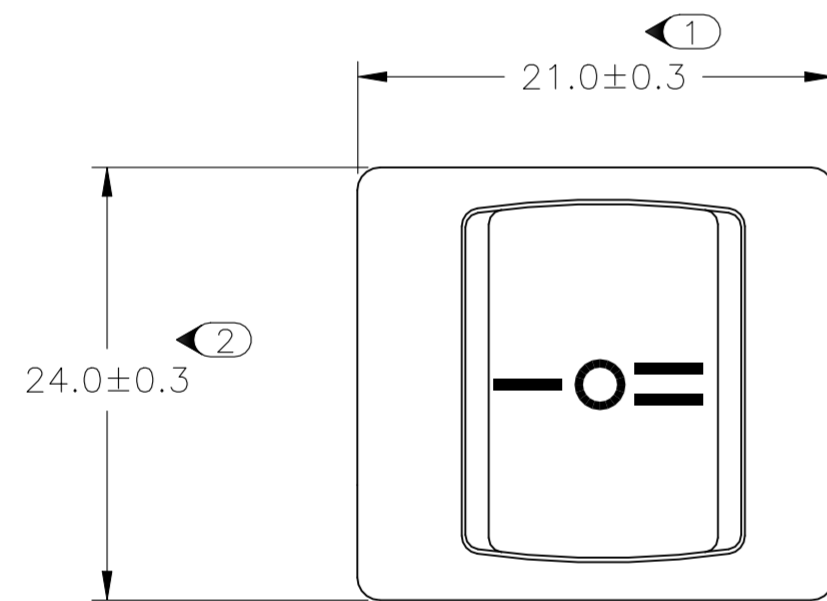
| REVISIONS | | | | | |
|-----------|-----|-------------|------|-----|------|
| P | LTR | DESCRIPTION | DATE | DWN | APVD |
| - | - | SEE SHEET 1 | - | - | - |



PANEL CUT OUT



| | | |
|-----------------|-------|-------|
| 2.00-3.00 | 20.20 | 22.20 |
| 1.25-2.00 | 19.60 | 22.20 |
| 0.75-1.25 | 19.40 | 22.20 |
| PANEL THICKNESS | X | Y |



**PRODUCT MARKING
DETAIL A**

**PRE
10A 125VAC, 6A 250VAC**



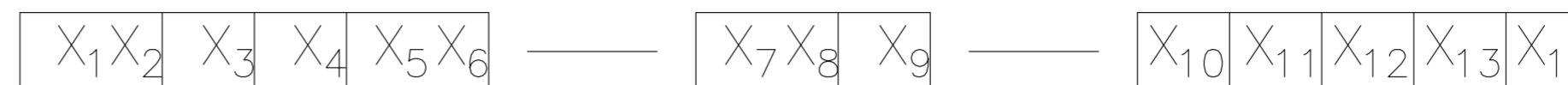
TYCO ELECTRONICS LOGO
PER TEC-202-36

11 2-1634200-6 SHOWN (ON)-OFF-(ON)

| | | | | | |
|--|--|------------------|--------------------|----------------------|-----------------|
| THIS DRAWING IS A CONTROLLED DOCUMENT. | | DWN SA008712 | 2-4-07 | TE Connectivity Ltd. | |
| DIMENSIONS: mm | | CHK - | APVD - | | |
| TOLERANCES UNLESS OTHERWISE SPECIFIED: | | PRODUCT SPEC - | APPLICATION SPEC - | SIZE A2 | CAGE CODE 00779 |
| 0 PLC ± - | | WEIGHT - | | DRAWING NO C=1634200 | |
| 1 PLC ± - | | MATERIAL - | | RESTRICTED TO - | |
| 2 PLC ± - | | FINISH - | | SCALE 3:1 | SHEET 6 OF 7 |
| 3 PLC ± - | | CUSTOMER DRAWING | | REV F | |
| 4 PLC ± - | | | | | |
| ANGLES ± - | | | | | |

| REVISIONS | | | | |
|-----------|-----|-------------|------|------|
| P | LTR | DESCRIPTION | DATE | APVD |
| - | - | SEE SHEET 1 | - | - |

ALCOSWITCH PART NUMBER



1 MATERIALS:
 HOUSING FRAME: NYLON 66.
 ACTUATOR: NYLON 66/ PC(ILLUMINATED)
 TERMINALS C1100R-1/2H WITH SILVER PLATED CONTACTS
 AgALLOY

2 FINISH:
 TERMINAL, ACTIVE CONTACTOR: 1.0µm [.000039] SILVER
 PLUNGER: 3.0µm[.000118] NICKEL

3 ELECTRICAL SPECIFICATIONS:
 CONTACT RESISTANCE : 50m ohm Max
 DIELECTRIC STRENGTH : AC 1500V, 1 MINUTE
 OPERATION TEMPERATURE: -20°C~85°C
 INSULATION R: DC 500V 100M ohm MIN

4 CURRENT AND VOLTAGE 10A@125VAC/6A@250VAC

5 ELECTRICAL RATINGS, APPROVED AGENCY LOGOS,
 TE LOGO PER TEC-202-36 APPROXIMATELY AS SHOWN
 AND PART NUMBER CAN APPEAR ON EITHER SIDE
 (FOR FULL DETAIL SEE INDIVIDUAL DRAWING)

6 ON-OFF, WITH OPAQUE, SINGLE-COLOR ROCKER BUTTON.

7 ON-OFF, WITH TRANSPARENT, LAMP-ILLUMINATED ROCKER
 BUTTON.

8 ON-ON, WITH OPAQUE, SINGLE-COLOR ROCKER BUTTON.

9 ON-OFF-ON, WITH OPAQUE, SINGLE-COLOR ROCKER BUTTON.

10 ON-OFF-(ON), WITH OPAQUE, SINGLE-COLOR ROCKER
 BUTTON.

11 (ON)-OFF-(ON), WITH OPAQUE, SINGLE-COLOR ROCKER
 BUTTON.

12  REFER TO QIP DIMENSIONAL REPORT




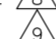
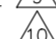
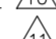
13 2002/95/EC/(RoHS) COMPLIANT

14 NOTE REMOVED.

SWITCH TYPE: X1X2 = PR - POWER ROCKER

NOMINAL PANEL CUT OUT SIZE: X3 = E - 19.4X22.2 [.764x.874]

NUMBER OF POLES: X4 = D - DOUBLE

SWITCH FUNCTION: X5X6 = A1 - 
B1 - 
D1 - 
D3 - 
D4 - 
D5 - 

CURRENT RATING: X7X8 = OZ - 

TERMINAL TYPE: X9 = E - FASTON™ TAB
L - SOLDER LUG

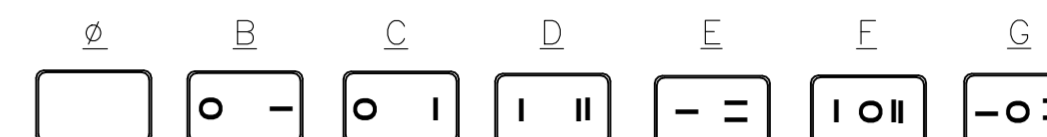
FRAME COLOR: X10 = B - BLACK
W - WHITE

ROCKER COLOR: X11 = B - BLACK
G - GREEN
R - RED
W - WHITE

SECONDARY ROCKER COLOR: X12 = Ø - NOT APPLICABLE

B - BLACK
G - GREEN
R - RED
W - WHITE


LEGEND TEXT PATTERN: X13 =



LEGEND TEXT COLOR: X14 = Ø - NOT APPLICABLE

G - GREEN
R - RED
B - BLACK
W - WHITE

| | 1 | ALCOSWITCH PART NUMBER. | TE PART NUMBER. |
|----------|------------------|--------------------------------|------------------------|
| | 1 | PREDA1-07F-BB000 | 1634200-1 |
| | 1 | PREDA1-07F-BB0BW | 1634200-2 |
| | 1 | PREDA1-07F-BB0CW | 1634200-3 |
| OBSOLETE | 1 | PREDA1-07L-BB000 | 1634200-4 |
| | 1 | PREDA1-07L-BB0BW | 1634200-5 |
| | 1 | PREDA1-07L-BB0CW | 1634200-6 |
| | 2 | PREDB1-07F-BR000 | 1634200-7 |
| | 2 | PREDB1-07L-BR000 | 1634200-8 |
| | 2 | PREDB1-07F-BG000 | 1634200-9 |
| OBSOLETE | 2 | PREDB1-07L-BG000 | 1-1634200-0 |
| | 3 | PREDD1-07F-BB000 | 1-1634200-1 |
| | 3 | PREDD1-07F-BB0DW | 1-1634200-2 |
| | 3 | PREDD1-07F-BB0EW | 1-1634200-3 |
| OBSOLETE | 3 | PREDD1-07L-BB000 | 1-1634200-4 |
| | 3 | PREDD1-07L-BB0DW | 1-1634200-5 |
| | 3 | PREDD1-07L-BB0EW | 1-1634200-6 |
| | 4 | PREDD3-07F-BB0FW | 1-1634200-7 |
| | 4 | PREDD3-07F-BB0GW | 1-1634200-8 |
| OBSOLETE | 4 | PREDD3-07L-BB0FW | 1-1634200-9 |
| | 4 | PREDD3-07L-BB0GW | 2-1634200-0 |
| | 5 | PREDD4-07F-BB000 | 2-1634200-1 |
| | 5 | PREDD4-07F-BB0FW | 2-1634200-2 |
| | 5 | PREDD4-07F-BB0GW | 2-1634200-3 |
| OBSOLETE | 6 | PREDD5-07F-BB000 | 2-1634200-4 |
| | 6 | PREDD5-07F-BB0FW | 2-1634200-5 |
| | 6 | PREDD5-07F-BB0GW | 2-1634200-6 |
| | SHEET REF | ALCOSWITCH PART NUMBER. | TE PART NUMBER. |

| | | | | |
|--|--|---------------------|--|-----------------|
| THIS DRAWING IS A CONTROLLED DOCUMENT. | | DWN SA008712 2-4-07 |  TE Connectivity Ltd. | |
| DIMENSIONS: mm | | CHK - | | |
| TOLERANCES UNLESS OTHERWISE SPECIFIED: | | APVD - | POWER ROCKER SWITCH 19,4MM X 22,2mm PANEL SIZE DPST, NON-ILLUMINATED | |
| 0 PLC ± - | | PRODUCT SPEC - | SIZE A2 | CAGE CODE 00779 |
| 1 PLC ± - | | APPLICATION SPEC - | DRAWING NO C=1634200 | RESTRICTED TO - |
| 2 PLC ± - | | WEIGHT - | SCALE 3:1 | SHEET 7 OF 7 |
| 3 PLC ± - | | CUSTOMER DRAWING | REV F | |
| 4 PLC ± - | | | | |
| ANGLES ± - | | | | |
| FINISH - | | | | |

单击下面可查看定价，库存，交付和生命周期等信息

[>>TE Connectivity\(泰科\)](#)