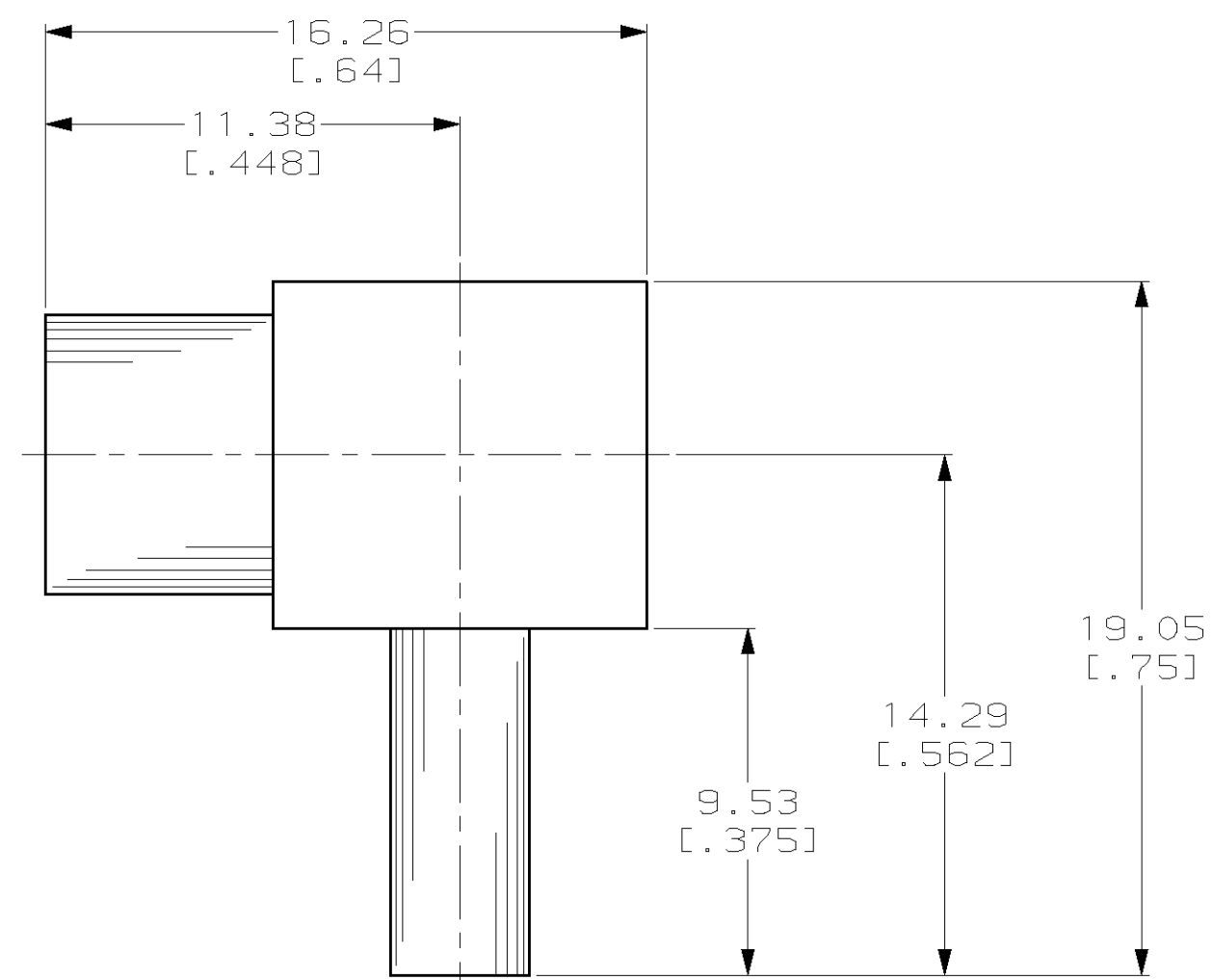
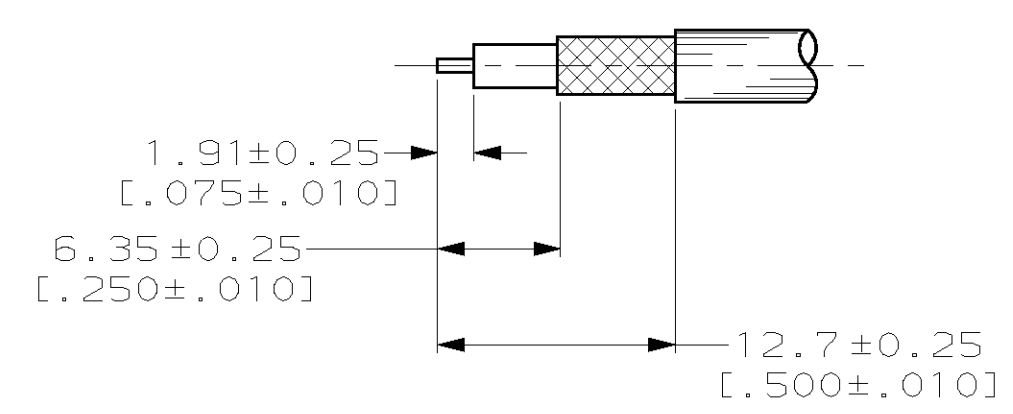


THIS DRAWING IS UNPUBLISHED. RELEASED FOR PUBLICATION
 BY AMP INCORPORATED. ALL RIGHTS RESERVED.

LOC	DIST	REVISIONS			
P	LTR	DESCRIPTION	DATE	DWN	APVD
AJ	16	H	REVISED PER EC 0U20-0468-01	01NOV01	DLD KEW



- MATERIALS:
 BODY...BRASS PER QQ-B-626
 CENTER AND OUTER CONTACT...
 BERYLLIUM COPPER PER
 QQ-C-530
 DIELECTRIC...TFE PER
 ASTM-D-1710
- FINISH:
 BODY...NICKEL PER QQ-N-290
 CENTER AND OUTER CONTACT...
 GOLD PER MIL-G-45204
- MIL HAND TOOL: M22520/5-01
- FINISH:
 BODY AND OUTER CONTACT...
 NICKEL PER QQ-N-290
 CENTER CONTACT...GOLD PER
 MIL-G-45204
- FINISH:
 BODY, OUTER CONTACT AND
 CENTER CONTACT... GOLD PER
 MIL-G-45204
- SEE I.S. SHEET 2987-9



RECOMMENDED STRIP LENGTH
 SCALE: NTS

OBSOLETE	C	58483-1	.151	HX4-1607	5	RG 180,195	1-414048-6
OBSOLETE	B	58483-1	.128	HX4-1607	5	RG 179,187	1-414048-5
OBSOLETE	C	58483-1	.151	HX4-1607	4	RG 180,195	1-414048-4
SUPSD BY 414048-6	B	58483-1	.128	HX4-1607	4	RG 179,187	1-414048-3
OBSOLETE	C	58483-1	.151	HX4-1607	2	RG 180,195	414048-8
	B	58483-1	.128	HX4-1607	2	RG 179,187	414048-6

POSITION LETTER	AMP DIE SET	HEX SIZE	DANIELS DIE SET	NOTES	CABLE	PART NUMBER
AMP PRO-CRIMPER FOR BRAID CRIMP			M 22520/5-01 FOR BRAID CRIMP			

TOOLING INFORMATION

THIS DRAWING IS A CONTROLLED DOCUMENT.		DWN K. HEILIG 05MAR92	AMP Incorporated Harrisburg, PA 17105-3608	
DIMENSIONS: mm [INCHES]	TOLERANCES UNLESS OTHERWISE SPECIFIED:	CHK G. MICHAEL 06MAR92	AMP	
	0 PLC ±-	APVD G. MICHAEL 06MAR92	PLUG, CRIMP CABLE, RTANG, 75 OHM, SMB	
	1 PLC ±-	PRODUCT SPEC	SIZE CAGE CODE DRAWING NO RESTRICTED TO	
	2 PLC ±0.25 [.013]	APPLICATION SPEC	A2 00779 C-414048	
	3 PLC ±0.13 [.0051]	WEIGHT	SCALE NTS SHEET 1 OF 1 REV H	
4 PLC ±-	ANGLES ±-	CUSTOMER DRAWING		

414048

单击下面可查看定价，库存，交付和生命周期等信息

[>>TE Connectivity\(泰科\)](#)