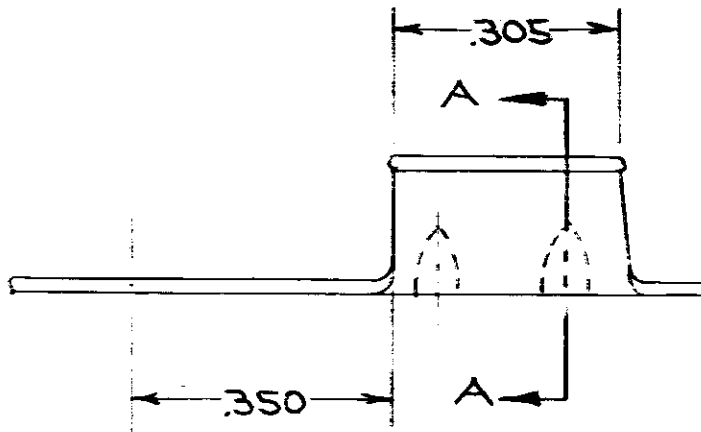
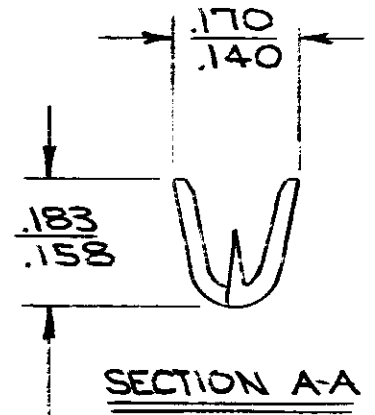
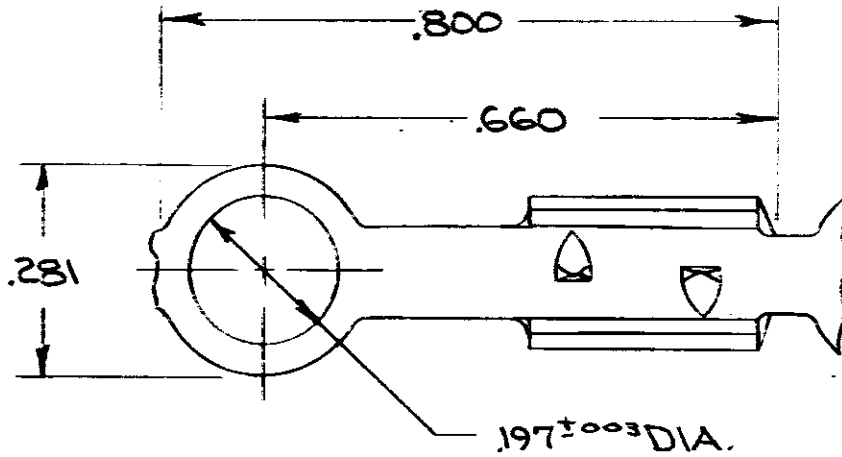


DRAWING MADE IN AMERICAN PROJECTION

NUMBER  
61853

S



CONTINUOUS STRIP ON REELS

TERMINAL  
NUMBER

61853-1

DIMENSIONS IN INCHES. DO NOT SCALE PRINT.

D	REACTIVATED ECN AF3113	LS	6/1	8/24/67
	OBS. ECN AF2261			
C	REACTIVATE AF 2023	SS	8/1	7/2/67
B	OBS. AF 1608	S	8/1	5/2/67
A	RELEASED		6/1	5/1/67
	WAS P9-1891			

©1970 BY AMP INCORPORATED. ALL RIGHTS RESERVED. AMP PRODUCTS COVERED BY PATENTS AND/OR PATENTS PENDING.

CUSTOMER COPY  
REFERENCE ONLY

MATERIAL AND FINISH  
.016 BRASS  
NONE



AMP INCORPORATED  
HARRISBURG, PENNA.

WIRE — RANGE — INSULATION  
#18-16 / .110-.130

CLASS	— / —
TYPE	— / —

LTR	REVISION RECORD	ECN	DR	DATE
DR	Gyetter 2-6-70	DE	R.F. Farnes 2-6-70	
CHK		APP	R.F. Farnes 2-1-70	

TOLERANCE EXCEPT AS NOTED	SCALE	LOC	NO	REV
± .015 ± 1°	— / —	A	61853	D
NAME RING, INSULATION PIERCING				

单击下面可查看定价，库存，交付和生命周期等信息

[>>TE Connectivity\(泰科\)](#)