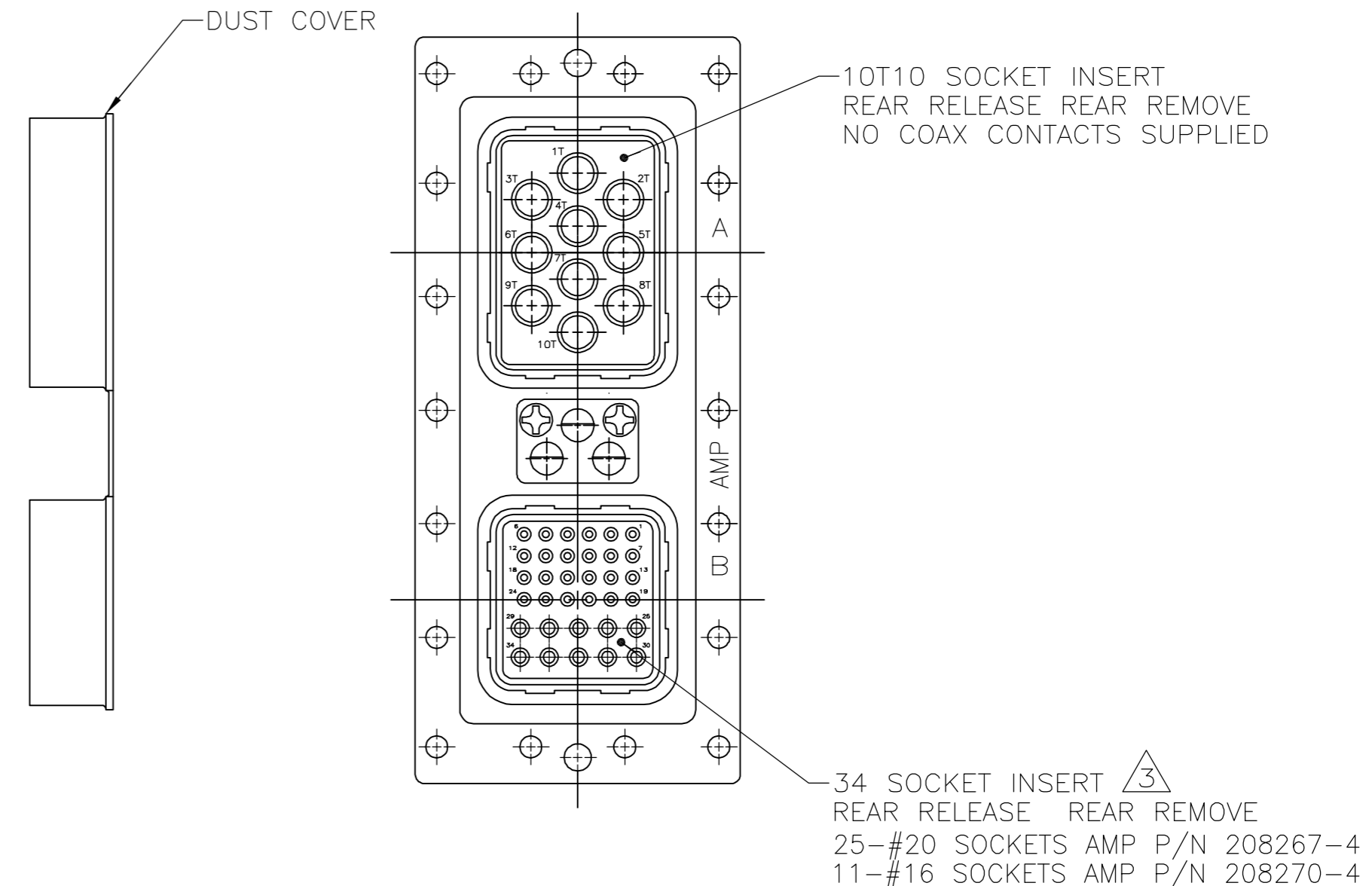
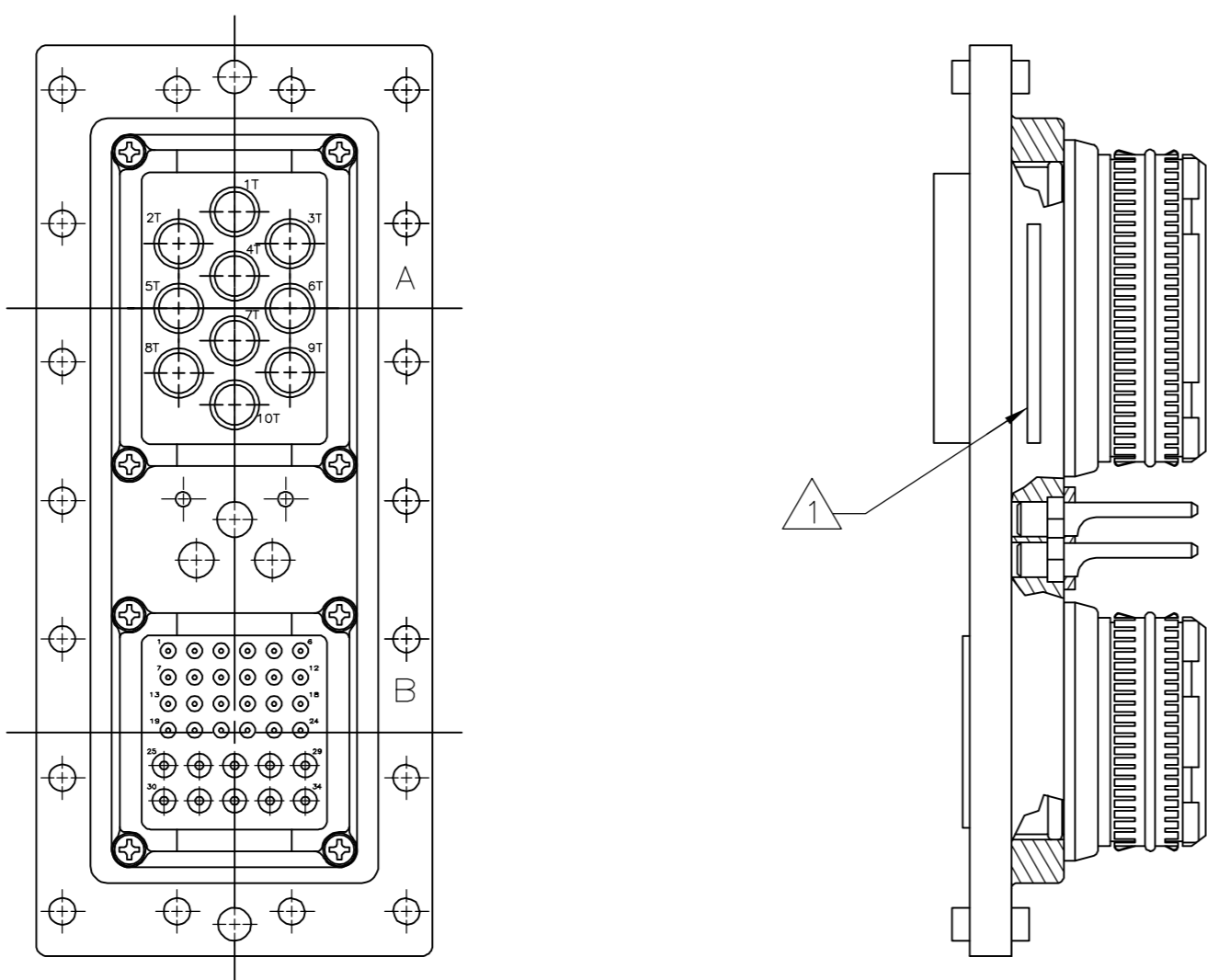


THIS DRAWING IS UNPUBLISHED. RELEASED FOR PUBLICATION  
 © COPYRIGHT BY TYCO ELECTRONICS CORPORATION. ALL RIGHTS RESERVED.

LOC		DIST		REVISIONS			
P	LTR	DESCRIPTION		DATE	DWN	APVD	
DF	A0	A		REV PER ECO-06-007200	31MAR06	PY KH	



- 1 AMP, AMP PART NUMBER AND DATE CODE MARKED IN AREA SHOWN.
- 2 KEYED IN "01" POSITION.
- 3 CONTACTS ARE PACKAGED SEPARATELY.

WARNING: THIS DOCUMENT CONTAINS TECHNICAL DATA WHOSE EXPORT IS RESTRICTED BY THE ARMS EXPORT CONTROL ACT (TITLE 22, U.S.C. SECTION 2751, ET SEQ.) OR THE EXPORT ADMINISTRATION ACT OF 1979, AS AMENDED (TITLE 50, U.S.C., APP. 2401 ET SEQ.) VIOLATIONS OF THESE EXPORT LAWS ARE SUBJECT TO SEVERE PENALTIES.

443964-1  
 PART NO.

THIS DRAWING IS A CONTROLLED DOCUMENT.		DWN	C.C.THOMAS	5-1-97	 Tyco Electronics Corporation Harrisburg, Pa 17105-3608			
DIMENSIONS: INCHES		CHK	A.SHARPE	5-1-97				
TOLERANCES UNLESS OTHERWISE SPECIFIED:		APVD	A.SHARPE	5-1-97				
0 PLC ± - 1 PLC ± - 2 PLC ± - 3 PLC ± - 4 PLC ± - ANGLES ± - FINISH -		PRODUCT SPEC	NAME			PLUG ASSY,M600,SIZE 2A, M6E2P10T10S34S0001A		
MATERIAL		APPLICATION SPEC	WEIGHT		SIZE	CAGE CODE	DRAWING NO	RESTRICTED TO
-		-	-		A2	00779	C=443964	-
		CUSTOMER DRAWING		SCALE	1:1	SHEET	1 OF 1	REV
								A

443964-1

单击下面可查看定价，库存，交付和生命周期等信息

[>>TE Connectivity\(泰科\)](#)