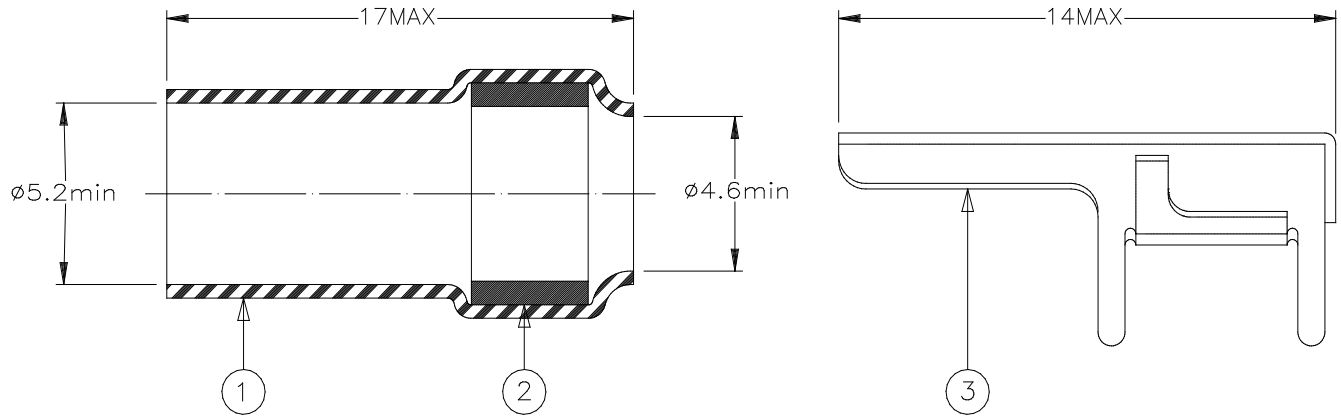


CUSTOMER DRAWING



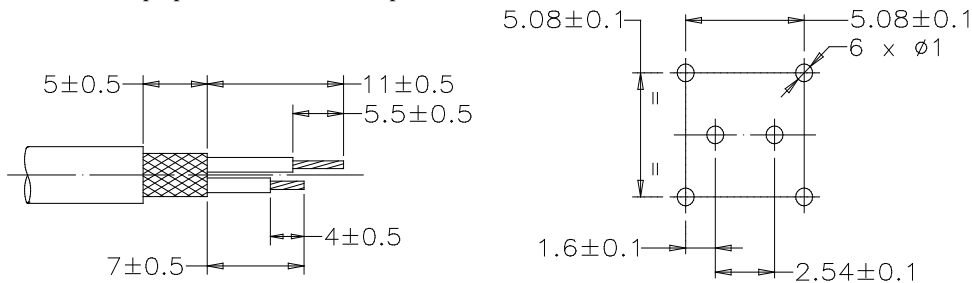
MATERIAL

1. INSULATION SLEEVE: Heat-shrinkable, radiation cross-linked modified polyvinylidene fluoride. Transparent blue.
2. SOLDER PREFORM WITH FLUX:
 SOLDER: TYPE Sn63 per ANSI J-STD-006.
 FLUX: TYPE ROL0 per ANSI J-STD-004.
3. TERMINATOR BODY: Tin plated copper alloy.


APPLICATION

1. This controlled soldering device is designed to facilitate the strain relieved termination of a shielded twisted pair to a printed circuit board with 1mm diameter holes. It will terminate a tin or silver plated single or double braided cable having an insulation rated for at least +125°C.
2. Temperature range: -55°C to +150°C.
3. For installation procedure and application equipment consult RPIP-698-00.

For best results, prepare the cable and the printed circuit board as shown:



TE Connectivity, TE connectivity (logo), Raychem, and Thermofit are trademarks

		Raychem THERMOFIT DEVICES		TITLE: KIT PINPAK* DEVICE	
UNLESS OTHERWISE SPECIFIED DIMENSIONS ARE IN MILLIMETERS.				DOCUMENT NO.: B-501-01	
TOLERANCES: 0.00 N/A 0.0 N/A 0 N/A	ANGLES: N/A ROUGHNESS IN MICRON	TE Connectivity reserves the right to amend this drawing at any time. Users should evaluate the suitability of the product for their application.		Revision: 2	Issue Date: March 2020
DRAWN BY: R. MAPALO	DATE: 09/17/98	ECO: ECO-20-003572	SCALE: NONE	SIZE: A	SHEET: 1 of 1

单击下面可查看定价，库存，交付和生命周期等信息

[>>TE Connectivity\(泰科\)](#)