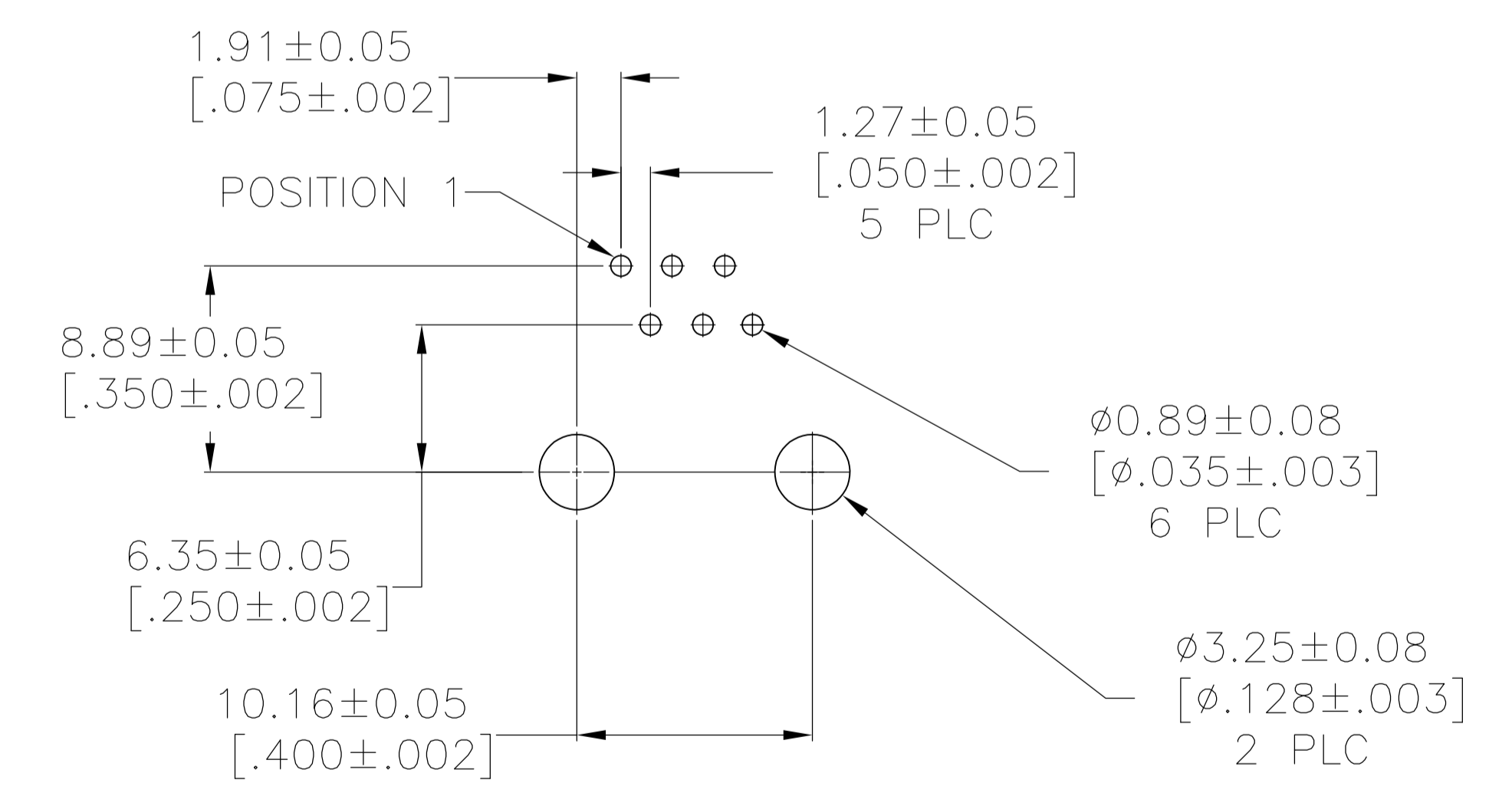
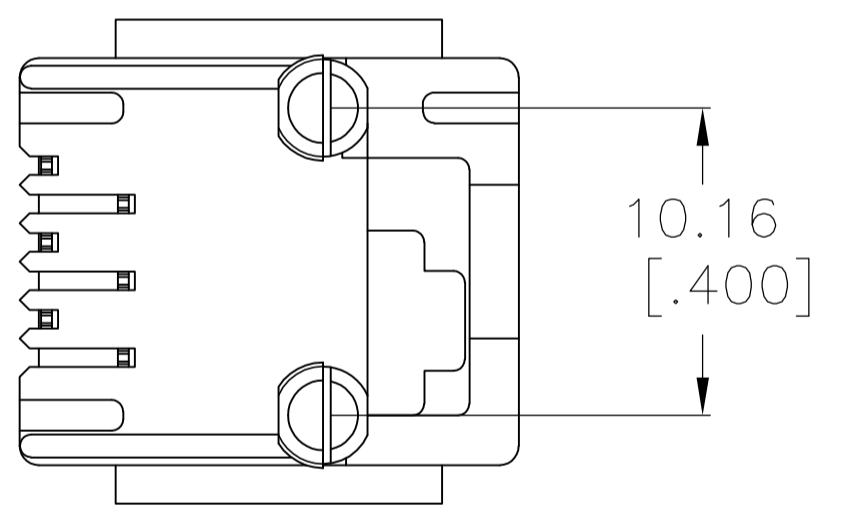
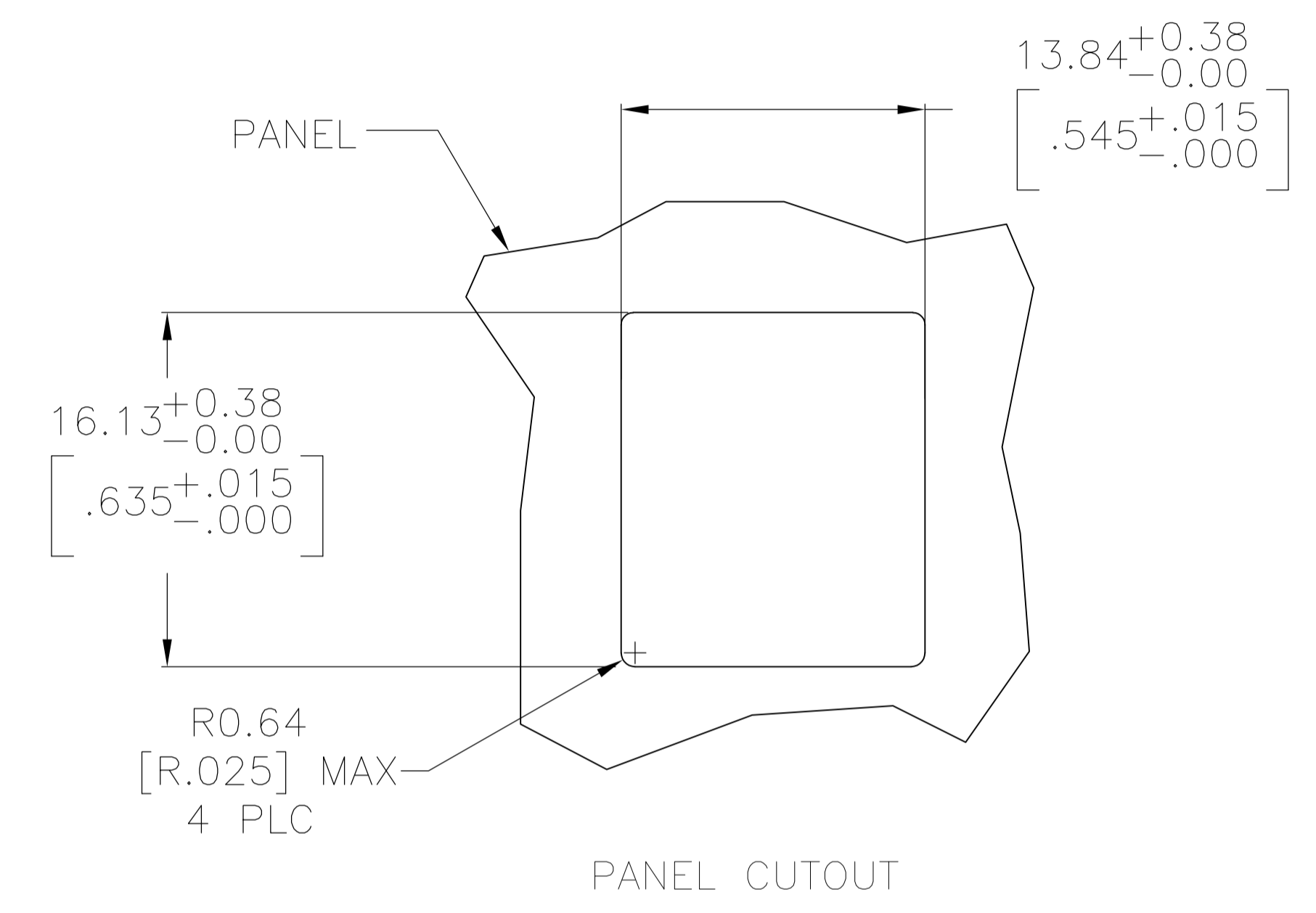
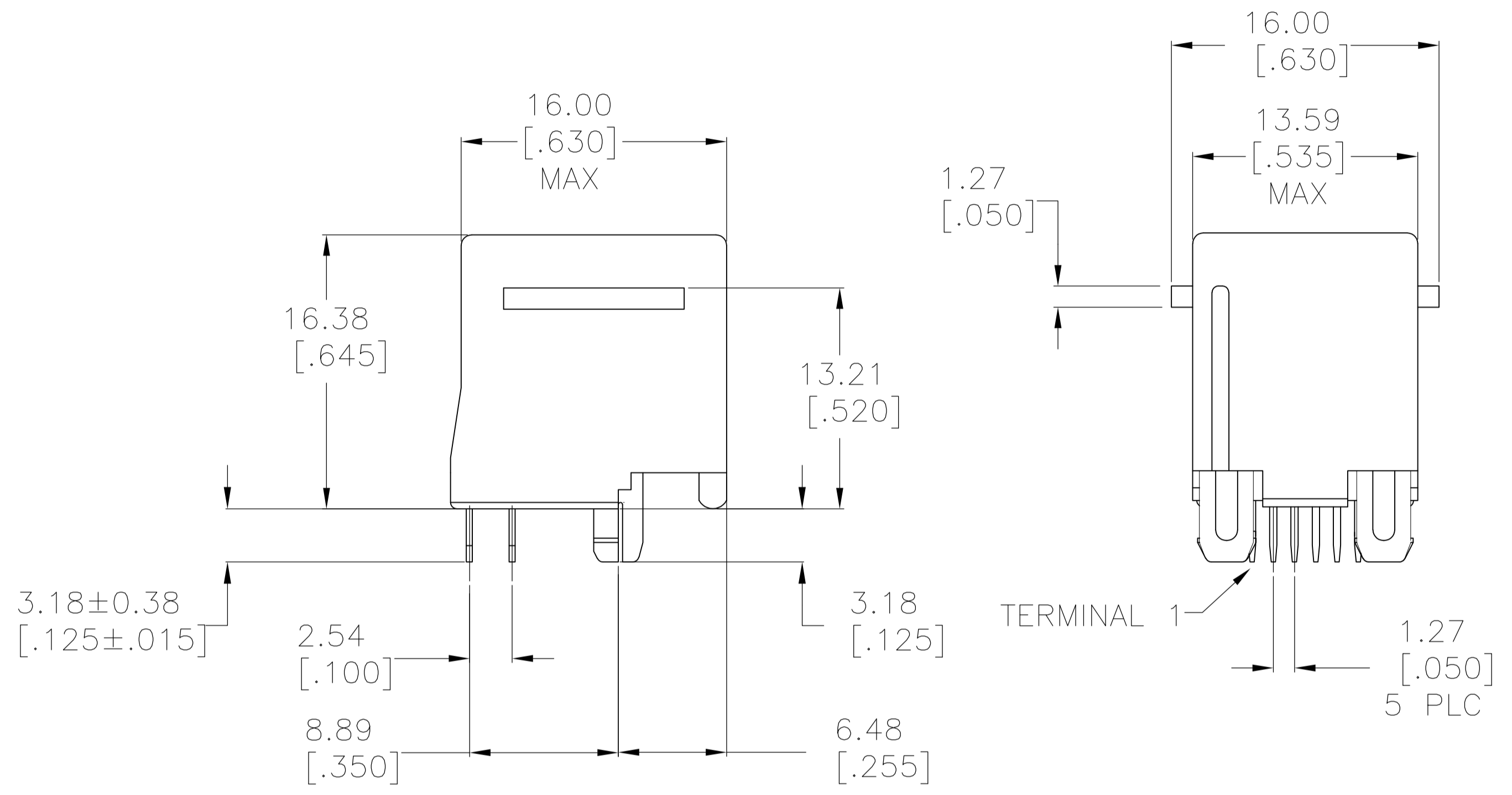


1. MATERIAL:
 HOUSING- PBT POLYESTER, GRAY.
 TERMINAL- 0.36µm[.014] THICK PHOS BRONZE
 PLATED WITH 1.27µm[.000050] MINIMUM THICK
 HARD GOLD LOCALIZED GOLD PLATE AREA AND
 3.81µm[.000150] MINIMUM THICK MATTE TIN IN
 SOLDER AREA OVER 1.27µm[.000050] MINIMUM
 THICK NICKEL UNDERPLATE.

2. CAVITY CONFORMS TO FCC RULES AND REGULATIONS
 PART 68 AND REA BULLENTIN 345-81, PE-76 SPECIFICATION
 FOR MODULAR TELEPHONE HARDWARE



5554990-1
 PART NO

THIS DRAWING IS A CONTROLLED DOCUMENT.		DIN	15AJG2007	Tyco Electronics Corporation	
DIMENSIONS: mm [INCHES]		CHK	15AJG2007	Harrisburg, PA 17105-3608	
TOLERANCES UNLESS OTHERWISE SPECIFIED:		NAME	S. FLICKINGER	MODULAR JACK ASSEMBLY, TOP ENTRY, 6 POSITION, FLANGELESS, W/ PANEL STOPS, RIGHT LATCH	
0 PLC	± .005	PRODUCT SPEC	108-1163	RESTRICTED TO	
1 PLC	± .005	APPLICATION SPEC	114-2048	SCALE 4:1 SHEET 1 OF 1 REV C	
2 PLC	± 0.13[.005]	SIZE	A1	CUSTOMER DRAWING	
3 PLC	± .005	WEIGHT	000779	5554990	
4 PLC	± .005	FINISH	SEE NOTE 1		
ANGLES	± .005				

单击下面可查看定价，库存，交付和生命周期等信息

[>>TE Connectivity\(泰科\)](#)