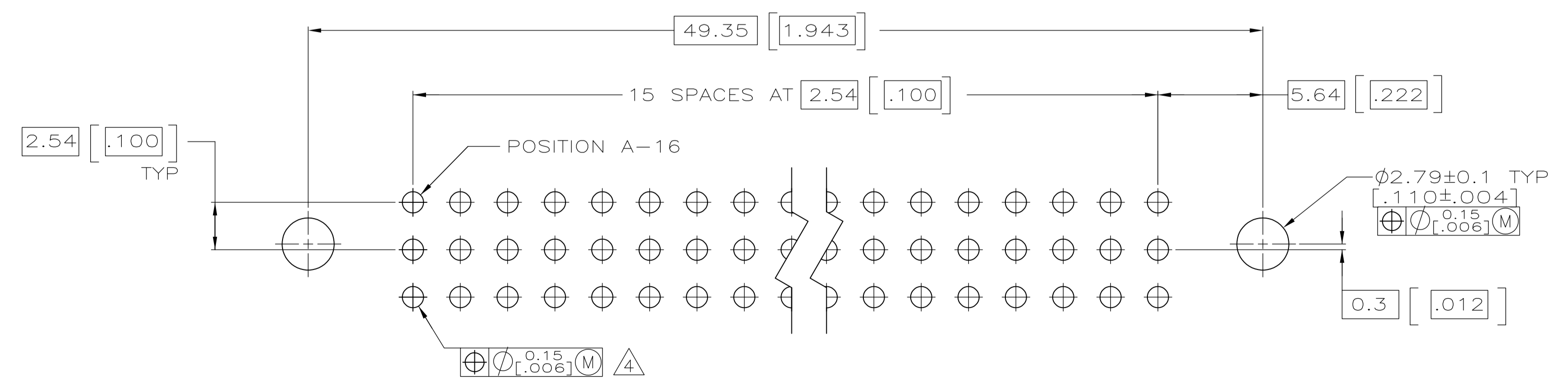
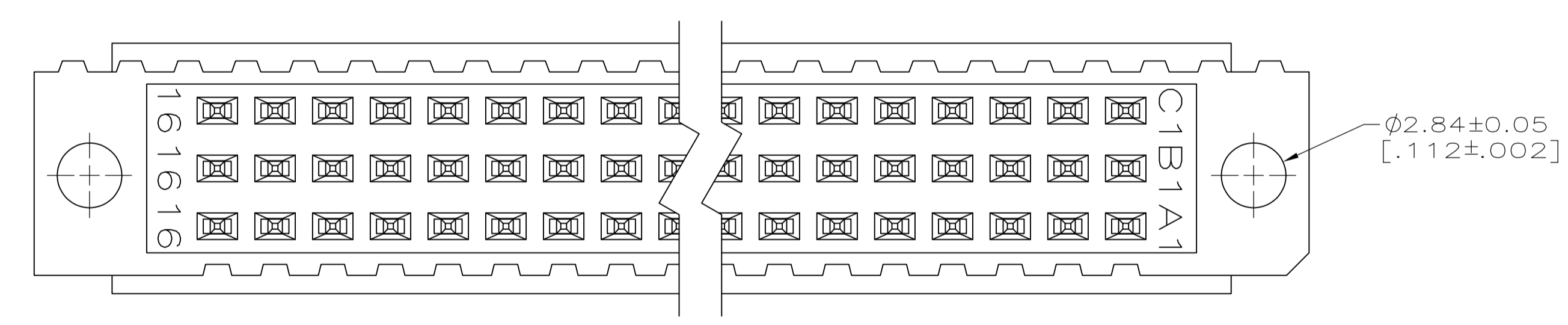
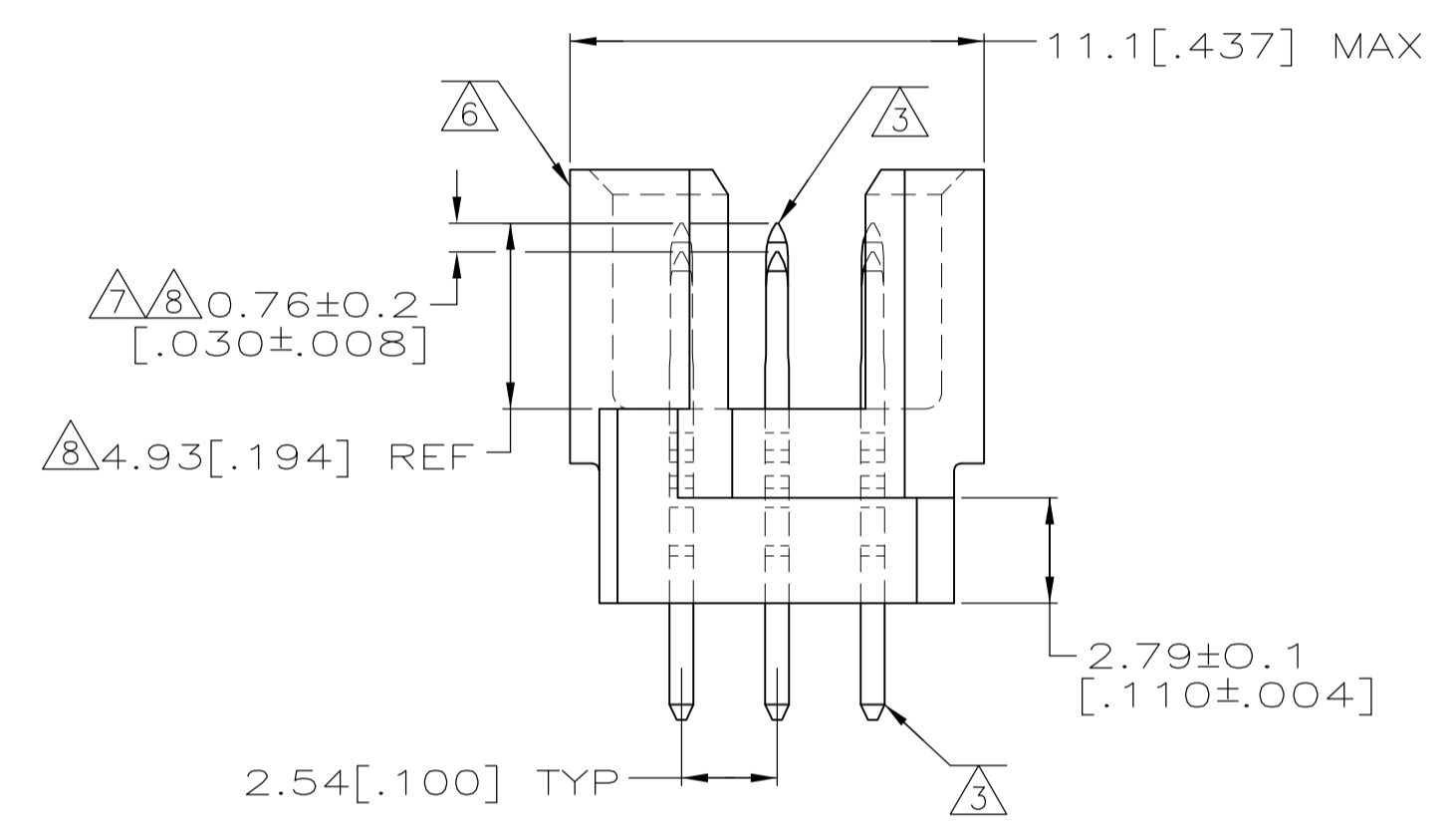
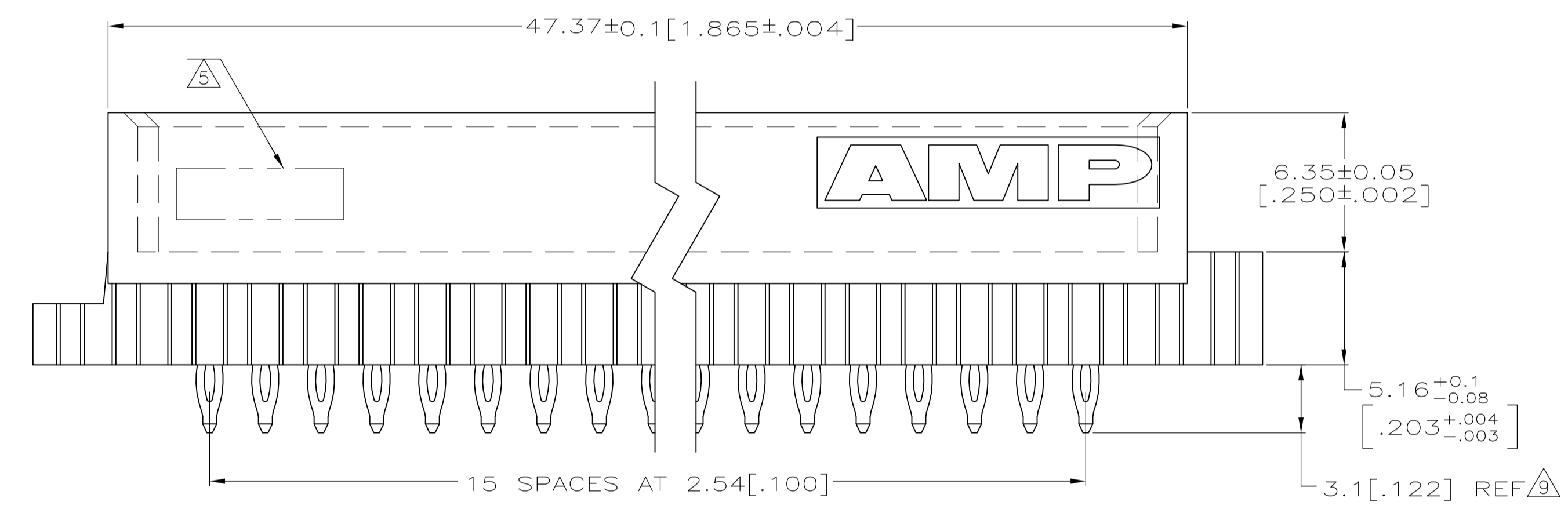
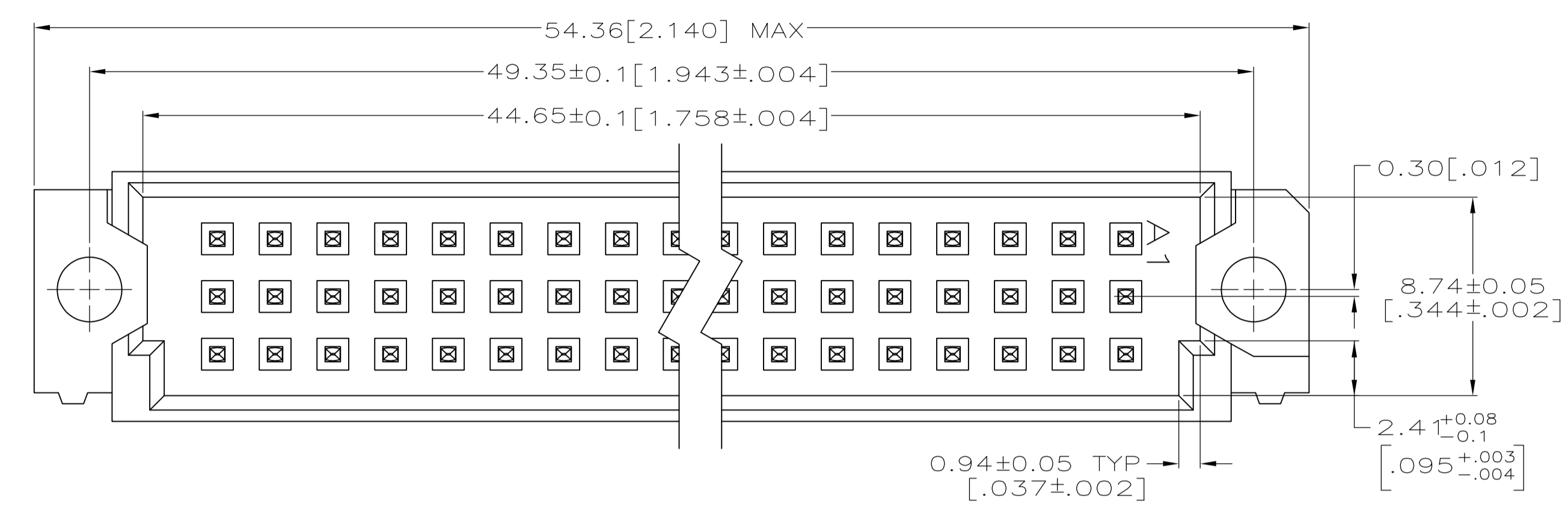


- 1 HOUSING MATERIAL: GLASS-FILLED POLYMER.
- 2 POST MATERIAL: COPPER ALLOY  
POST FINISH: DIN 41612 CLASS 2 IN CONTACT AREA. TIN ON POST.
- 3 PC BOARD HOLES REQUIRED FOR ACTION PIN CONTACTS ARE  $\phi 1.15$  [.0453] DRILL PLATED THROUGH WITH 0.02-0.08 [.001-.003] COPPER AND 0.008 [.003] MIN TIN-LEAD PLATING.
- 4 FINISHED HOLE AFTER PLATING,  $\phi 0.94-1.09$  [.037-.043].
- 5 PART NUMBER, DATE CODE MARKED THIS APPROXIMATE AREA.
- 6 MARKINGS ON THIS SIDE.
- 7 FOR MFBL APPLICATIONS, A 2.36 [.093] MIN THICK PC BOARD IS REQUIRED.  
PROGRAMMABLE SEATING TOOL 768216-1 MUST BE USED.
- 8 TO BE 4.16 [.164] REF FOR LAST MAKE PINS AFTER SEATING. POST LENGTH DIFFERENCE BETWEEN SHORT AND LONG PINS TO BE  $0.76 \pm 0.2$  [.030  $\pm$  .008] AFTER SEATING.
- 9 THIS DIMENSION WILL BE 4.06 [.160] MAX AFTER SEATING FOR PINS WITH 4.17 [.164] REF MATING POST.  
FOR 1.57 [.062] THICK PC BOARD APPLICATIONS, USE SEATING TOOL 768211-1. PROGRAMMABLE SEATING TOOL 768216-1 WITH PUSH PINS FOR MAKE FIRST CONTACTS ONLY, CAN ALSO BE USED.



5148472-4  
PART NUMBER

THIS DRAWING IS A CONTROLLED DOCUMENT.		DIN J. POLIGNONE DSMAYOS		Tyco Electronics Corporation Harrisburg, Pa 17105-3608	
DIMENSIONS: mm [INCHES]		TOLERANCES UNLESS OTHERWISE SPECIFIED:		NAME ASSEMBLY, PIN, EUROCARD, TYPE 1/2R, 48 POSITION, 4.06[.160] PRESS-FIT POSTS, PROGRAMMABLE	
0 PLC	± -	1 PLC	± -	2 PLC	± 0.13[.005]
3 PLC	± -	4 PLC	± -	ANGLES	± -
MATERIAL	1 2	FINISH	3	SIZE	A1 00779 C=5148472
CUSTOMER DRAWING				SCALE	5:1
				SHEET	1 of 1
				REV	01

单击下面可查看定价，库存，交付和生命周期等信息

[>>TE Connectivity\(泰科\)](#)