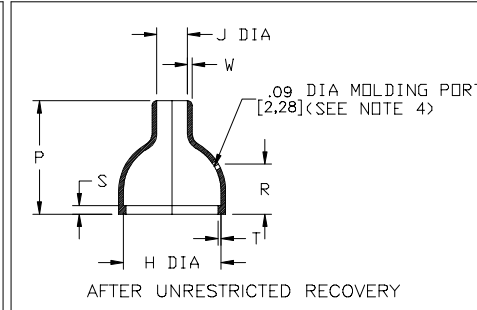
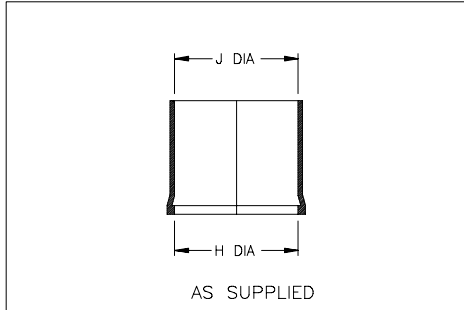


Thermofit Molded Parts Specification Control Drawing

Part Number : 202C312 and 323
Description : Boot, Straight, With Lip

NOTES

- All dimensions are in $\frac{\text{inches}}{\text{[millimeters]}}$
- Dimensions appearing in table are as follows:
a - As Supplied
b - After Unrestricted Recovery
- Coating is optional. As supplied dimensions appearing in table are for uncoated parts. When coating is added, entry diameters will be reduced by .06 max.
- Molding part is optional. When -00 modification number is specified molding part will be located as shown.



PART NUMBER	H		J		P ±10%	R ±10%	S ±10%	T ±10%	W ±20%
	Min	Max	Min	Max					
	a	b	a	b					
202C312	1.22 [30,9]	.93 [23,6]	1.22 [30,9]	.38 [9,6]	1.20 [30,4]	.50 [12,7]	.09 [2,3]	.03 [0,76]	.05 [1,27]
202C323	1.36 [34,5]	1.07 [27,2]	1.36 [34,5]	.35 [8,9]	1.22 [31,0]	.55 [14,0]	.09 [2,3]	.03 [0,76]	.05 [1,27]

**If this document is printed it becomes uncontrolled.
Check for the latest revision.**



RAYCHEM CORPORATION
300 CONSTITUTION DRIVE
MENLO PARK, CALIFORNIA 94025

Revision : C
Date : 12/4/97

Part Number : 202C312 and 323
Description : Boot, Straight, With Lip

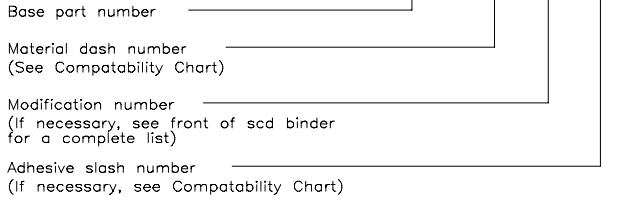
Thermofit Molded Parts Specification Control Drawing

Part Number : 202C312 and 323
Description : Boot, Straight, With Lip

MATERIAL DASH NO.	MATERIAL DESCRIPTION	RT SPEC	COATING SLASH NO.	COATING S NO.	COATING DESCRIPTION
-3	Polyolefin, Semi-rigid	RT-301	N/A		
-25	Elastomer, Fluid Resistant	RT-1325	N/A		

ORDERING INFORMATION

202C323 -XX -XX /XXX



THIS DRAWING IS SUBJECT TO CHANGE WITHOUT NOTICE; CONSULT YOUR NEAREST FIELD REPRESENTATIVE FOR CURRENT REVISION



RAYCHEM CORPORATION
300 CONSTITUTION DRIVE
MENLO PARK, CALIFORNIA 94025

Revision : C
Date : 12/4/97

Part Number : 202C312 and 323
Description : Boot, Straight, With lip

单击下面可查看定价，库存，交付和生命周期等信息

[>>TE Connectivity\(泰科\)](#)