

4


3

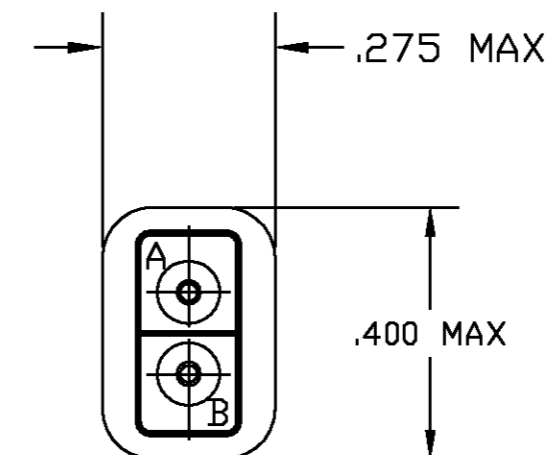
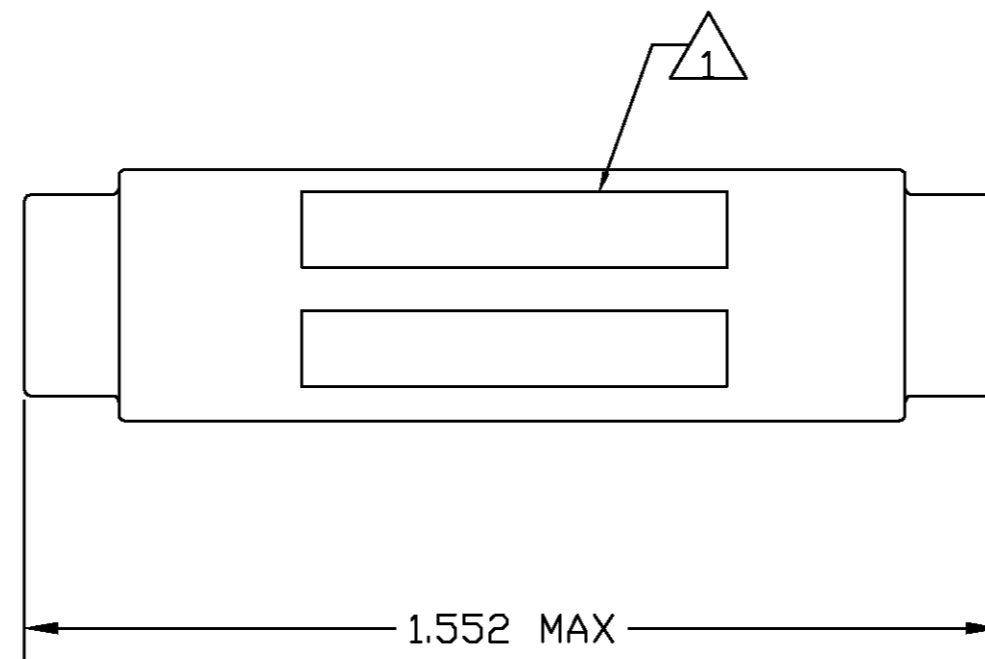
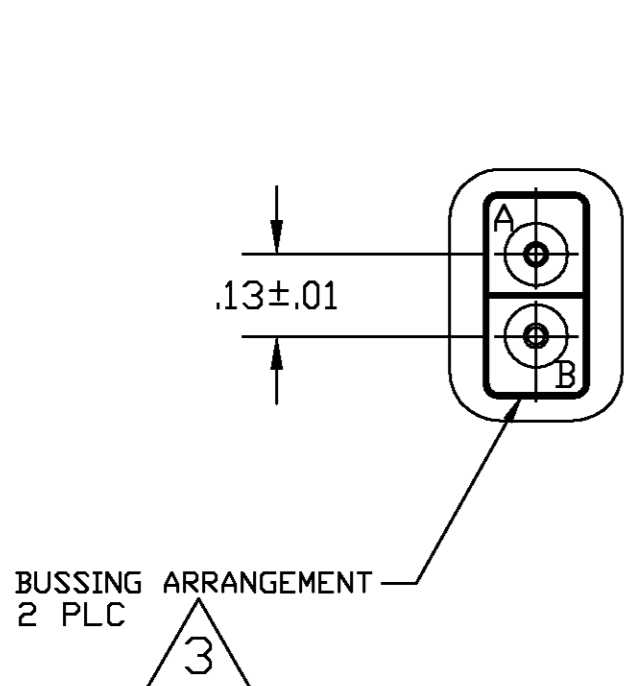
2



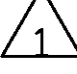
1

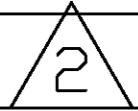
THIS DRAWING IS UNPUBLISHED. RELEASED FOR PUBLICATION .19  
 © COPYRIGHT 19 BY AMP INCORPORATED, ALL RIGHTS RESERVED.

LOC		DIST		REVISIONS			
P	LTR	DESCRIPTION	DATE	DWN	APVD		
	A	REV PER 0600-7187-98	9/10/98	JY	DM		

DESCRIPTION	MATERIAL	FINISH
GROMMET	FLUOROSILICONE 40/50 BLEND PER MIL-R-25988	COLOR: BLUE
SPLICE ASSEMBLY HOUSING	EPOXY	COLOR: BLACK
CONTACT FEMALE SOCKET	BERYLLIUM COPPER ASTM-B194	GOLD PLATE PER MIL-G-45204
CLIP CONTACT RETAINING	BERYLLIUM COPPER ASTM-B194 OR STAINLESS STEEL PER QQ-S-766	NONE
SHRINK TUBE	PER MIL-1-23053/8	COLOR TRANSPARENT
CONTACTS 	PER M39029/1-101	GOLD PLATE PER MIL-G-45204



-  MARK WIRE SPLICE BUSSING ARRANGEMENT BOTH ENDS AS SHOWN.
-  A QUANTITY OF 4 CONTACTS ARE SUPPLIED WITH WIRE SPLICE.
-  MARK WIRE SPLICE WITH "AMP", AMP PART NO. AND DATE CODE .060 MINIMUM HIGH CHARACTERS AT APPROXIMATE AREA SHOWN.

---	592589-2
	592589-1
SPECIAL REQUIREMENTS	PART NO.

DIMENSIONS INCHES		TOLERANCES UNLESS OTHERWISE SPECIFIED		APVD		NAME	
0 PLC	± -	1 PLC	± -	FRITZ	03-01-95	AMP Incorporated	
1 PLC	± -	2 PLC	± .02	RYAN	03-02-95	Harrisburg PA 17105-3608	
2 PLC	± .02	3 PLC	± .005	RYAN	03-02-95	WIRE SPLICE, DOUBLE	
3 PLC	± .005	4 PLC	± -			SIZE 20, ASSEMBLY, TJ	
4 PLC	± -	ANGLES	± -			SIZE	CAGE CODE
FINISH						A2	00779
MATERIAL	SEE TABLE	FINISH	SEE TABLE	WEIGHT	-	DRAWING NO	C=592589
						RESTRICTED TO	-
						SCALE	2:1
						SHEET	1 OF 1
						REV	A

单击下面可查看定价，库存，交付和生命周期等信息

[>>TE Connectivity\(泰科\)](#)