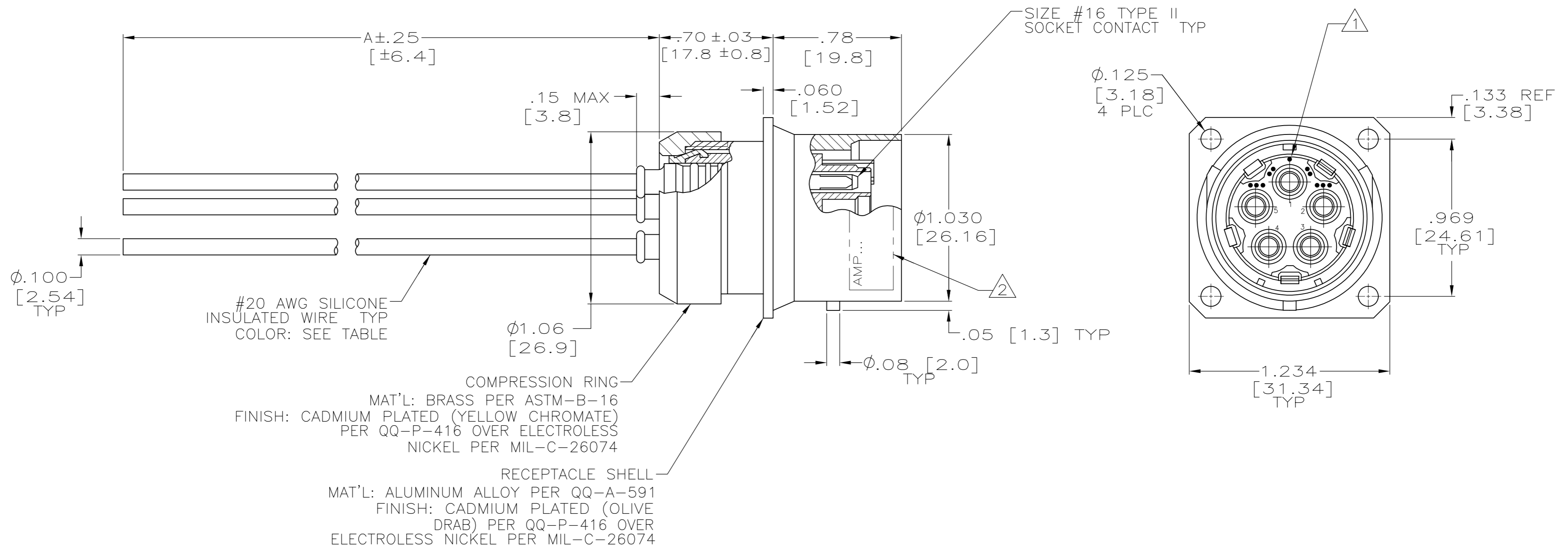


THIS DRAWING IS UNPUBLISHED.		RELEASED FOR PUBLICATION	
© COPYRIGHT BY TYCO ELECTRONICS CORPORATION. ALL RIGHTS RESERVED.			
863984-1, -2 & -3 WIRING TABLE		863984-4 WIRING TABLE	
CONTACT NO.	WIRE COLOR	CONTACT NO.	WIRE COLOR
1	BROWN	1	BROWN
2	RED	2	RED
3	ORANGE	5	ORANGE
4	YELLOW	5	YELLOW
5	GREEN	5	GREEN

LOC	DIST	REVISIONS					
DF	S0	P	LTR	DESCRIPTION	DATE	DWN	APVD
		J		REV PER ECO 08-000200	1-4-08	CT	DE



- 1 SINGLE DOT FOR NORMAL POLARIZATION LOCATED UNDER MAJOR KEYWAY.
- 2 TE INFO MARKED PER MIL-STD-130.
- 3. MAXIMUM MOUNTING PANEL THICKNESS: .100 [2.54].
- 4. WORKING VOLTAGE IS 4.5 KVDC MAX WHEN PROPERLY MATED.
- 5 ORANGE AND YELLOW LEAD ASSEMBLIES ARE BAGGED AND TAGGED SEPARATELY AND SHIPPED WITH CONNECTOR. (863984-4 ONLY.)

	12.00	863984-4
OBSOLETE	6.00	863984-3
OBSOLETE	24.00	863984-2
	12.00	863984-1
"A" DIM		PART NO.

THIS DRAWING IS A CONTROLLED DOCUMENT.		DWN	C.C.THOMAS	11-18-96	Tyco Electronics Corporation Harrisburg, PA 17105-3608	
DIMENSIONS: INCHES [mm]		CHK	C.SHELLY	11-19-96		
TOLERANCES UNLESS OTHERWISE SPECIFIED:		APVD	C.SHELLY	11-19-96		
0 PLC ± - 1 PLC ± - 2 PLC ± .02 [0.5] 3 PLC ± .010 [0.25] 4 PLC ± - ANGLES ± - FINISH -		PRODUCT SPEC				
MATERIAL		APPLICATION SPEC			NAME	CABLE ASSY,5 POSN,LGH
		WEIGHT	-		SIZE	A2
		CUSTOMER DRAWING			CAGE CODE	00779
		SCALE	2:1		DRAWING NO	C=863984
		SHEET	1 of 1		RESTRICTED TO	-
		REV	J			

单击下面可查看定价，库存，交付和生命周期等信息

[>>TE Connectivity\(泰科\)](#)