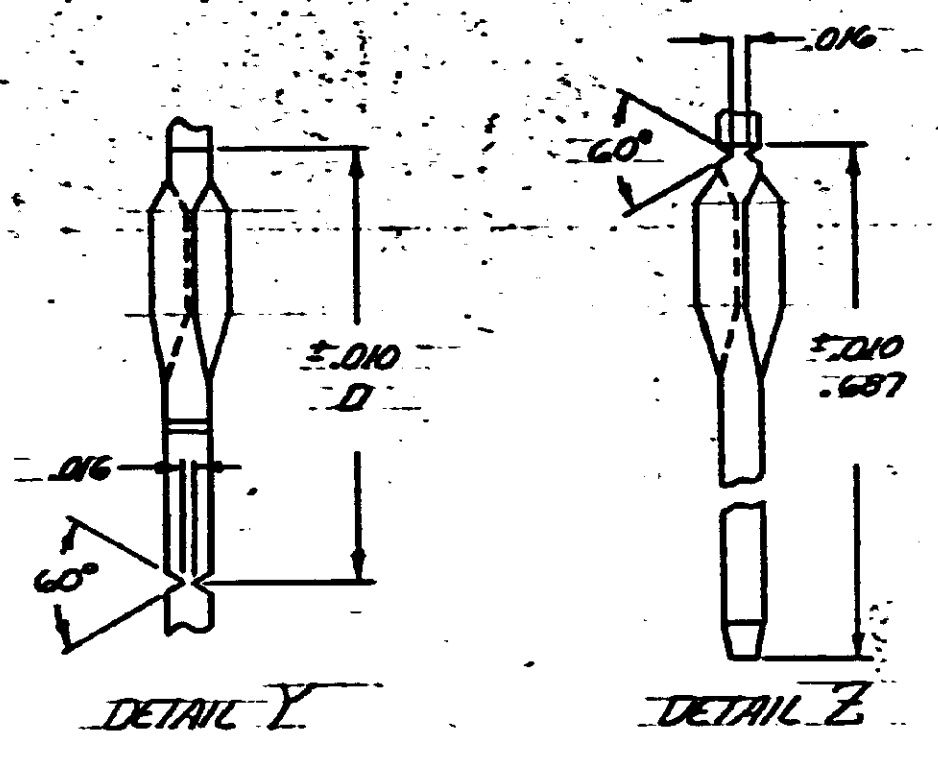
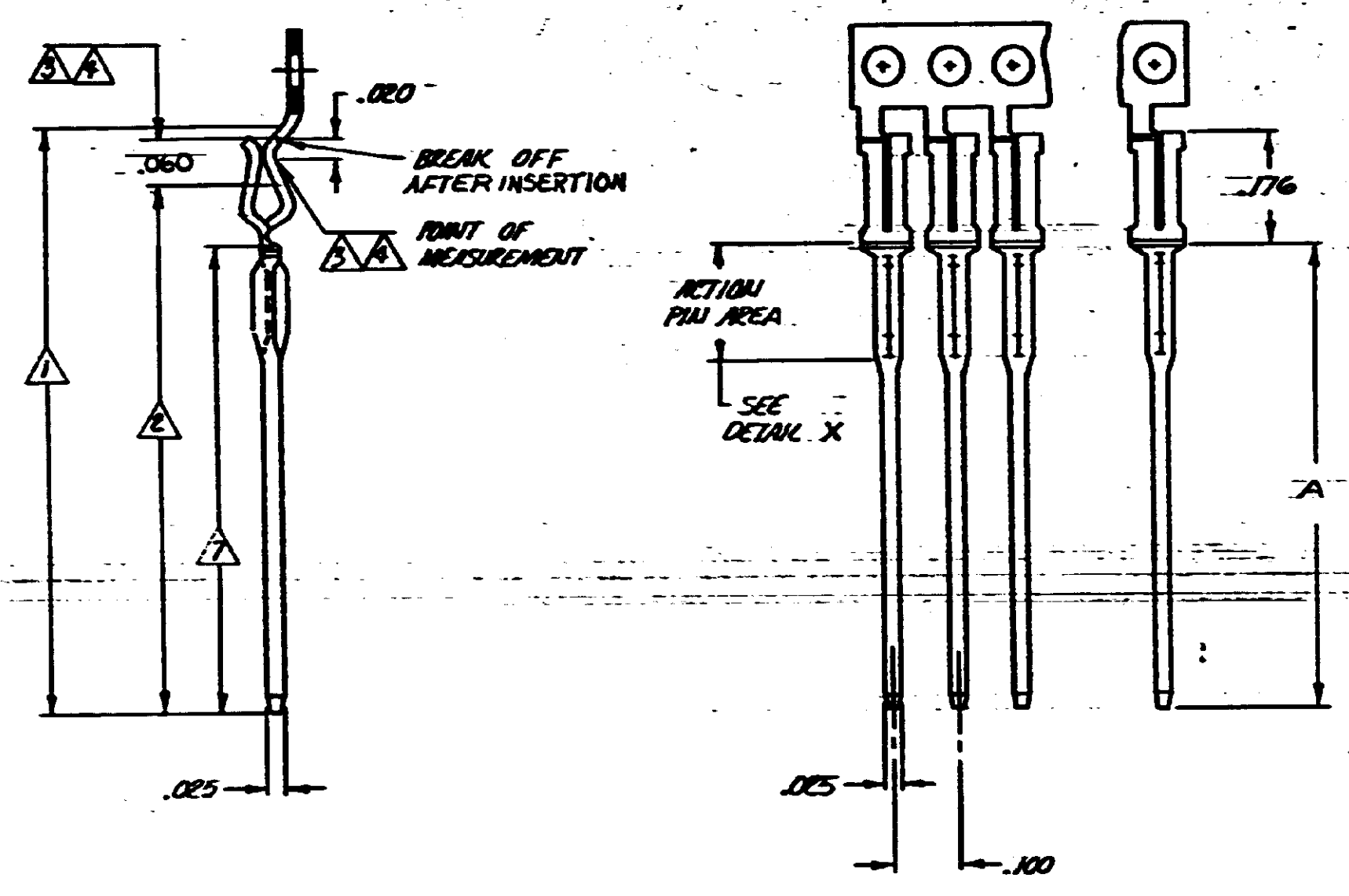


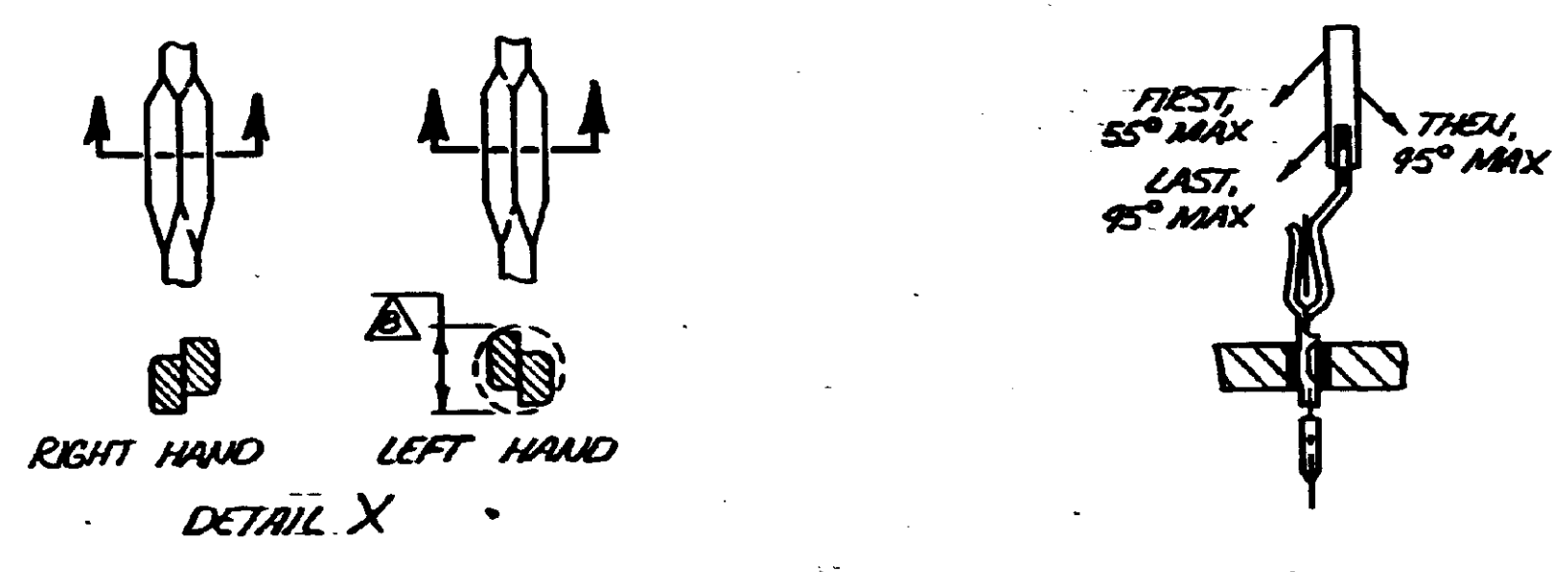
THIS DRAWING IS UNPUBLISHED. RELEASED FOR PUBLICATION. 10
 COPYRIGHT 1964 BY AMP INCORPORATED, HARRISBURG, PA. ALL INFORMATION CONTAINED HEREIN IS UNCLASSIFIED EXCEPT WHERE SHOWN OTHERWISE. AMP PRODUCTS MAY BE COVERED BY U.S. AND FOREIGN PATENTS AND/OR PATENTS PENDING.

FB GO

REV	DATE	DESCRIPTION	APPROVED
1	12-5-53	REVISED PER CBS-1016	
2	3-24-54	REV PER ECN AB-1888	
3	9-8-55	REV PER ECN AB-1888	
4	11-16-56	REV PER ECN AB-1888	
5	11-16-56	REV PER ECN AB-1888	
6	11-16-56	REVISED PER DF 6304	



- 1. GOLD PL. (MIL-G-45209), .000050 MIN THK OVER NICKEL PL. (QQ-NI-290), .000100 MIN THK.
- 2. GOLD PL. (MIL-G-45209), .000010 MIN THK OVER NICKEL PL. (QQ-NI-290), .000100 MIN THK.
- 3. GOLD PL. (MIL-G-45209), .000030 MIN THK OVER NICKEL PL. (QQ-NI-290), .000100 MIN THK.
- 4. GOLD PL. (MIL-G-45209), .000050 MIN THK OVER NICKEL PL. (QQ-NI-290), .000100 MIN THK.
- 5. PLATING NOT REQUIRED ON CARRIER STRIP.
- 6. REFER TO DRAWING 117178 FOR TYPICAL CONNECTOR SYSTEM APPLICATION.
- 7. .0412 DIA HOLE IS REQD FOR ASSEMBLY INTO PLATED THRU HOLES. PRIOR TO REFLOW SOLDER OPERATIONAL .036 TO .043 DIA HOLE IS REQD FOR PRESS FIT APPLICATION.
- 8. RIGHT AND LEFT HAND CONTACTS, ALTERNATE ON CARRIER STRIP.
- 9. A TYPE HOLE.
- 10. OBSOLETE (DUE TO NO ACTIVITY).



REV	DATE	DESCRIPTION	APPROVED
315		117906	1-119272-9
315		220793-1	1-119272-8
315		118413	1-119272-7
315		118438-1	1-119272-6
315		117906	1-119272-5
315		118453	1-119272-4
315		118453	1-119272-3
315		118453	1-119272-2
315		118453	1-119272-1
315		118453	1-119272-0
315		117906	1-119272-9
315		117768	1-119272-8
315		117617	1-119272-7
315		228098	1-119272-6
315		117906	1-119272-5
315		117906	1-119272-4
315		117770	1-119272-2

UNLESS OTHERWISE SPECIFIED DIMENSIONS ARE IN INCHES. TOLERANCES ON: DECIMALS ±.000 ANGLES ±.5°	CONTRACT NO	AMP INCORPORATED HARRISBURG, PA. 17115
	DR T. Smith 4/18/53	NAME CONTACT, RECEPTACLE, PCB, ECONOMITE II
MATERIAL BERYLUM COPPER (QQ-C-533)	CHK R. J. Smith 4/18/53	SIZE D
FINISH △△△△	APPR R. J. Smith 4/18/53	FSCM NO 00779
	DSGN APPD	DRAWING NO 119272
	OTHER APPD T. Smith 4/18/53	SCALE N15

单击下面可查看定价，库存，交付和生命周期等信息

[>>TE Connectivity\(泰科\)](#)