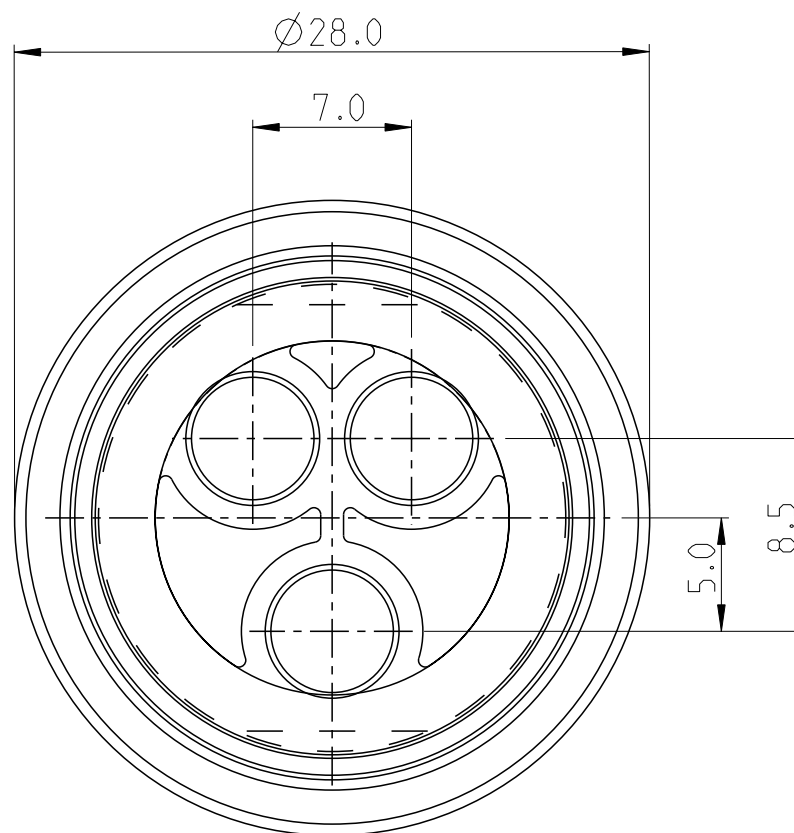
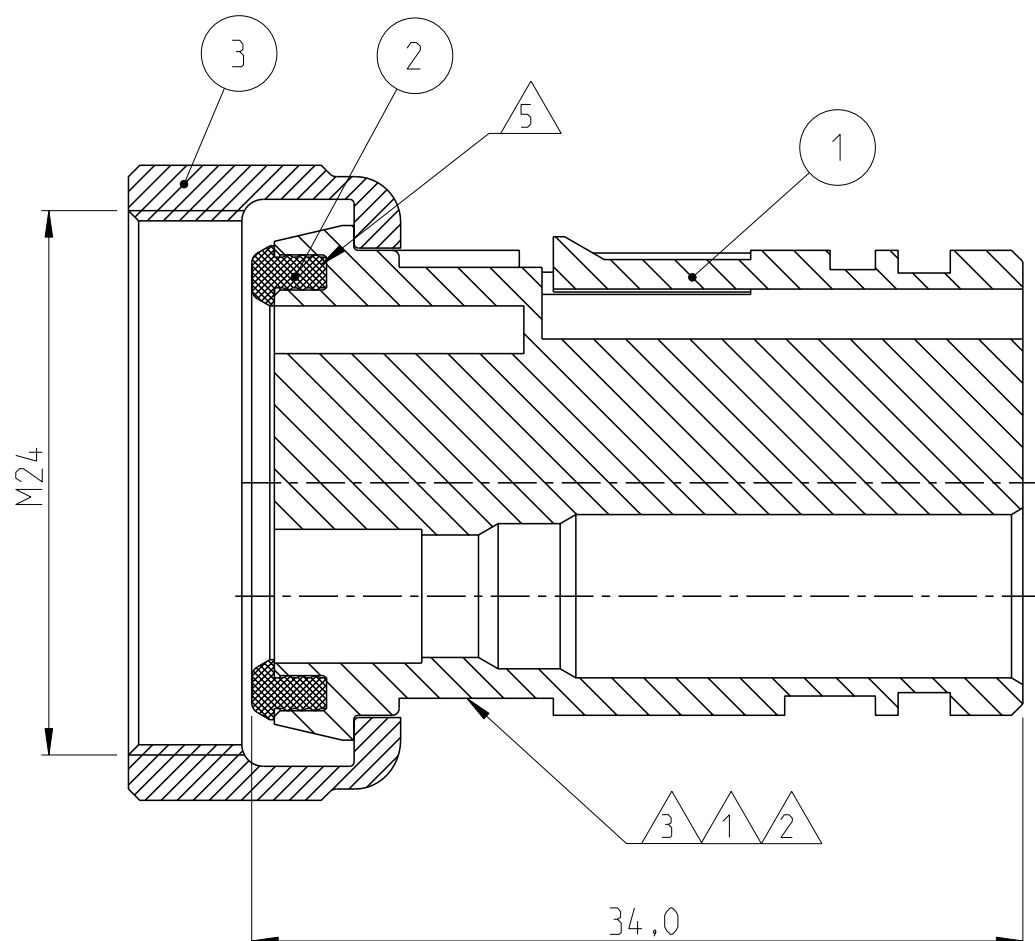


REVISIONS

P	LTR	DESCRIPTION	DATE	DWN	APVD
0		H-9527	10-02-92	JvL	RotB
A		H-9765	13MAY92	LvdH	RotB
B		EH-0896-93	18-11-93	DK	RotB
B1		ECR-13-014597	01JAN2014	JBHJ	GB



NOTES:

- 1 TE-TRADEMARK PER SPEC.
- 2 TE-IDENTIFICATION NUMBER ACC. DIN 1451 MITTLESCHR. HEIGHT 1.2
- 3 TE-MOLD IDENTIFICATION NUMBER
- 4 CAVITY FOR:
 - 1 4mm. SOCKET CONTACT WIRE SIZE 0.5-4mm² SEE DRAWING NR. 962952-1 NR. 962954-1 NR. 962956-1
 - 2 SCAT SEE DRAWING NR. 963243-1 NR. 963244-1
- 5 SEAL BONDED IN INSERT.

-1 AS SHOWN

MATERIAL	DESCRIPTION	COLOUR/FINISH	PART NUMBER	ITEM
BRASS	NUT M24	BRASS	100296-1	3
SILICON RUBBER	SEALING RING	BLACK	100294-1	2
PBT	3-POS. HOUSING	BLACK	100289-1	1

THIS DRAWING IS A CONTROLLED DOCUMENT.		DWN J.v.LIEMPT 01JAN2001	 TE Connectivity												
DIMENSIONS: mm		CHK R.o.t.BERG. 01JAN2001			NAME ASSY 3 POS HOUSING FOR 4mm. SOCKET CONTACT M24 VERSION										
TOLERANCES UNLESS OTHERWISE SPECIFIED:		APVD L.v.SOEST. 01JAN2001													
<table border="0"> <tr> <td>0 PLC</td><td>±</td></tr> <tr> <td>1 PLC</td><td>±0.2</td></tr> <tr> <td>2 PLC</td><td>±0.02</td></tr> <tr> <td>3 PLC</td><td>±0.005</td></tr> <tr> <td>4 PLC</td><td>±</td></tr> <tr> <td>ANGLES</td><td>±°</td></tr> </table>		0 PLC			±	1 PLC	±0.2	2 PLC	±0.02	3 PLC	±0.005	4 PLC	±	ANGLES	±°
0 PLC	±														
1 PLC	±0.2														
2 PLC	±0.02														
3 PLC	±0.005														
4 PLC	±														
ANGLES	±°														
MATERIAL		APPLICATION SPEC -	CAGE CODE 00779	DRAWING NO C=100285	RESTRICTED TO -										
FINISH		WEIGHT -	SCALE 5:1		SHEET 1 OF 1	REV B1									
-		CUSTOMER DRAWING													

单击下面可查看定价，库存，交付和生命周期等信息

[>>TE Connectivity\(泰科\)](#)