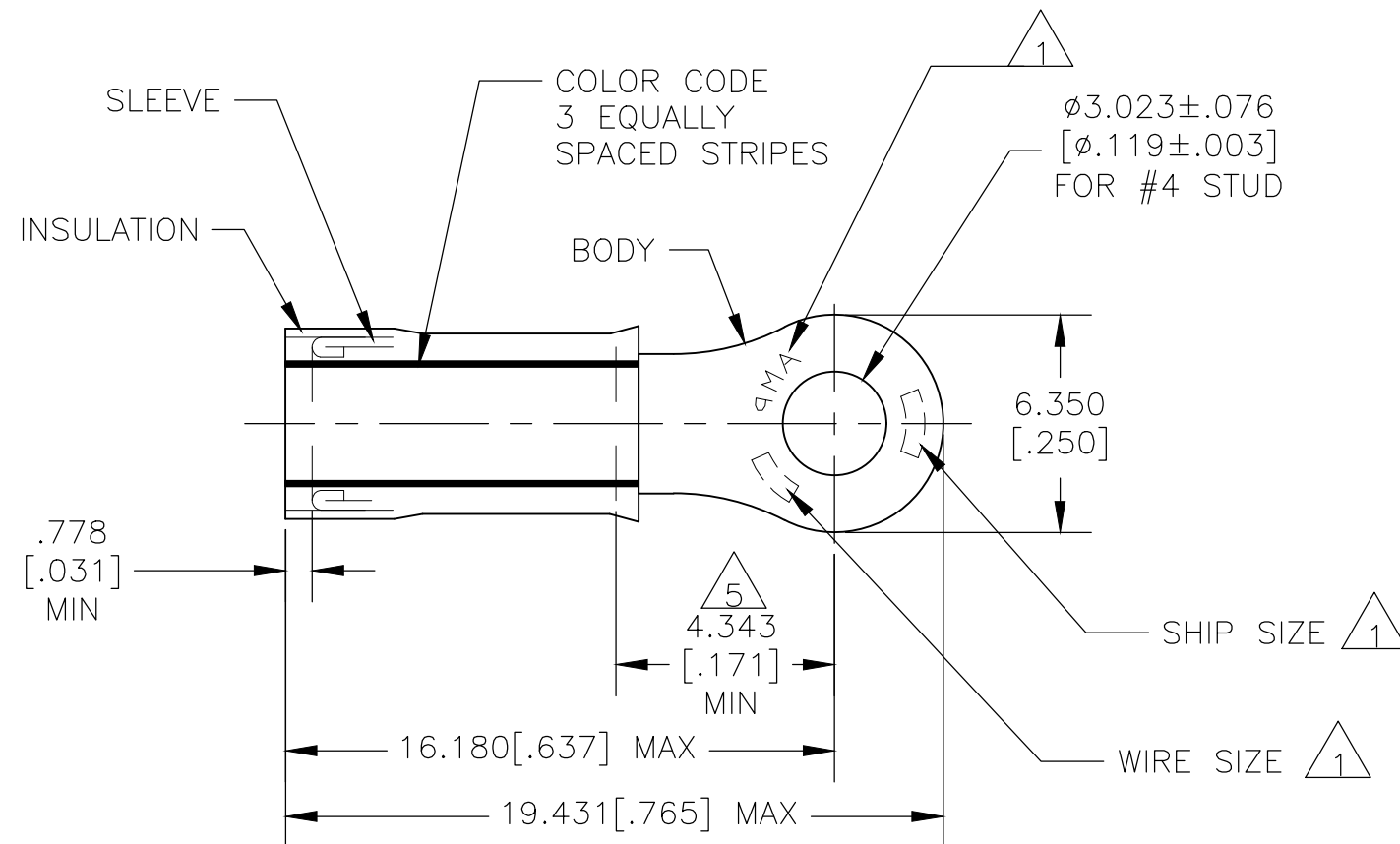


THIS DRAWING IS UNPUBLISHED. RELEASED FOR PUBLICATION
 © COPYRIGHT - By - ALL RIGHTS RESERVED.

LOC	DIST	REVISIONS			
P	LTR	DESCRIPTION	DATE	DWN	APVD
G	14	H1	REVISED PER ECO-19-007720	22MAY2020	KR DR

AMP WIRE RANGE	LR7189 Certified
16-14 AWG STRANDED	WIRE SIZE PER STRANDED STRANDED



- 1 STAMP "AMP []", SEE TABLE APPROX AS SHOWN.
- 2 WIRE INSULATION DIA: SEE TABLE.
- 3 BODY MATERIAL THK: 0.787[.031]±0.051[.002].
- 4 BODY & SLEEVE: CU PER ASTM B152
BODY & SLEEVE: TIN PLATE .000100 MIN
EXT THK PER ASTM B545
INSULATION: NYLON PER ASTM D4066,
COLOR-BLUE.
- 5 APPLIES FROM EDGE OF METAL WIRE BARREL
TO CENTER OF STUD HOLE.
- 6 MEETS M7928/1-38, CLASS 1 & 2.
- 7 MEETS M7928/1-47, CLASS 1 & 2.

PART NO	WIRE SIZE	COLOR CODE	INSULATION DIA	WIRE	SHIP SIZE
52274-1	14	GREEN	1.981[.078]-3.312[.130]	14*	4
52274	16	BLUE	1.600[.063]-3.302[.130]	16*	2 1/2

QTY	PACKAGE TYPE	MATERIAL FINISH	PART NO
500	LOOSE PIECE		52274-1
500	LOOSE PIECE		52274

CUSTOMER SERVICE SYSTEMS		MAX RECOMMENDED OPERATING TEMPERATURE: 105°C[221°F] MAX	THIS DRAWING IS A CONTROLLED DOCUMENT.		DWN JR RUTH 13JAN10	TE Connectivity	
FOR ADDITIONAL PRODUCT INFORMATION OR COPIES OF DRAWINGS AND TECHNICAL DOCUMENTS	PRODUCT INFORMATION CENTER 1-800-522-6752	VOLTAGE RATING: 300 V MAX	DIMENSIONS: mm [INCHES]	TOLERANCES UNLESS OTHERWISE SPECIFIED:	CHK T MICHIELUTTI 13JAN10	NAME	
FOR APPLICATION TOOLING INFORMATION	TOOLING ASSISTANCE CENTER 1-800-722-1111	CIRCULAR MIL AREA: 1.04-2.62mm²[2,050-5,180] STRANDED OR SOLID		0 PLC ± - 1 PLC ± - 2 PLC ± - 3 PLC ± 0.127[.005] 4 PLC ± - ANGLES ± -	APVD T MICHIELUTTI 13JAN10	TERMINAL, RING TONGUE, PIDG, INSULATION RESTRICTING, WIRE SIZE: 16 & 14 AWG	
FOR ORDER ENTRY	1-800-526-5142		MATERIAL SEE TABLE	FINISH SEE TABLE	PRODUCT SPEC -	APPLICATION SPEC 114-2157	RESTRICTED TO
					WEIGHT -	SIZE A3	CAGE CODE 00779
					DRAWING NO C=52274		
					CUSTOMER DRAWING		SCALE 5:1
					SHEET 1 of 1		REV H1

单击下面可查看定价，库存，交付和生命周期等信息

[>>TE Connectivity\(泰科\)](#)