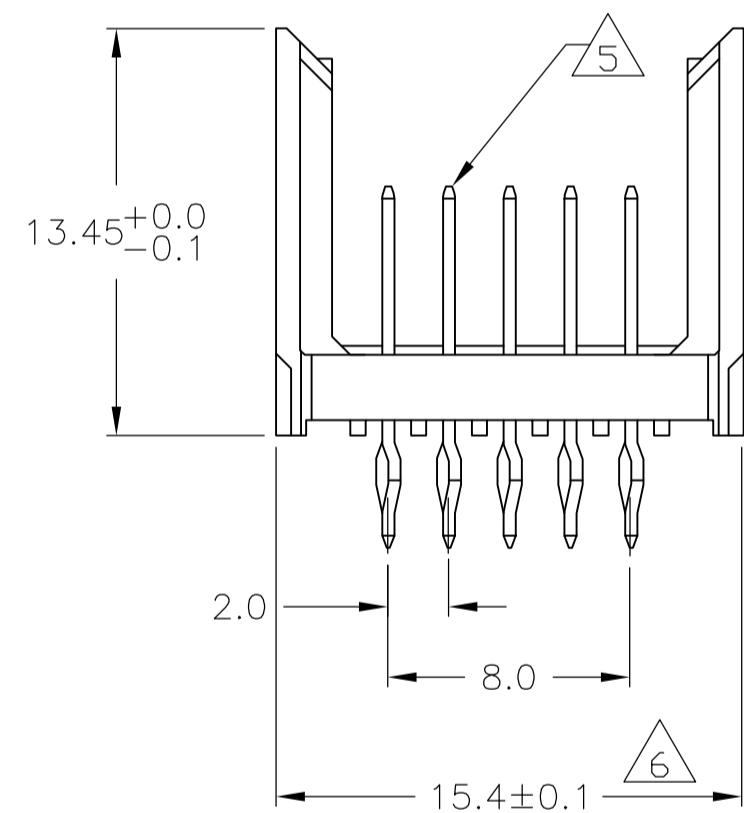
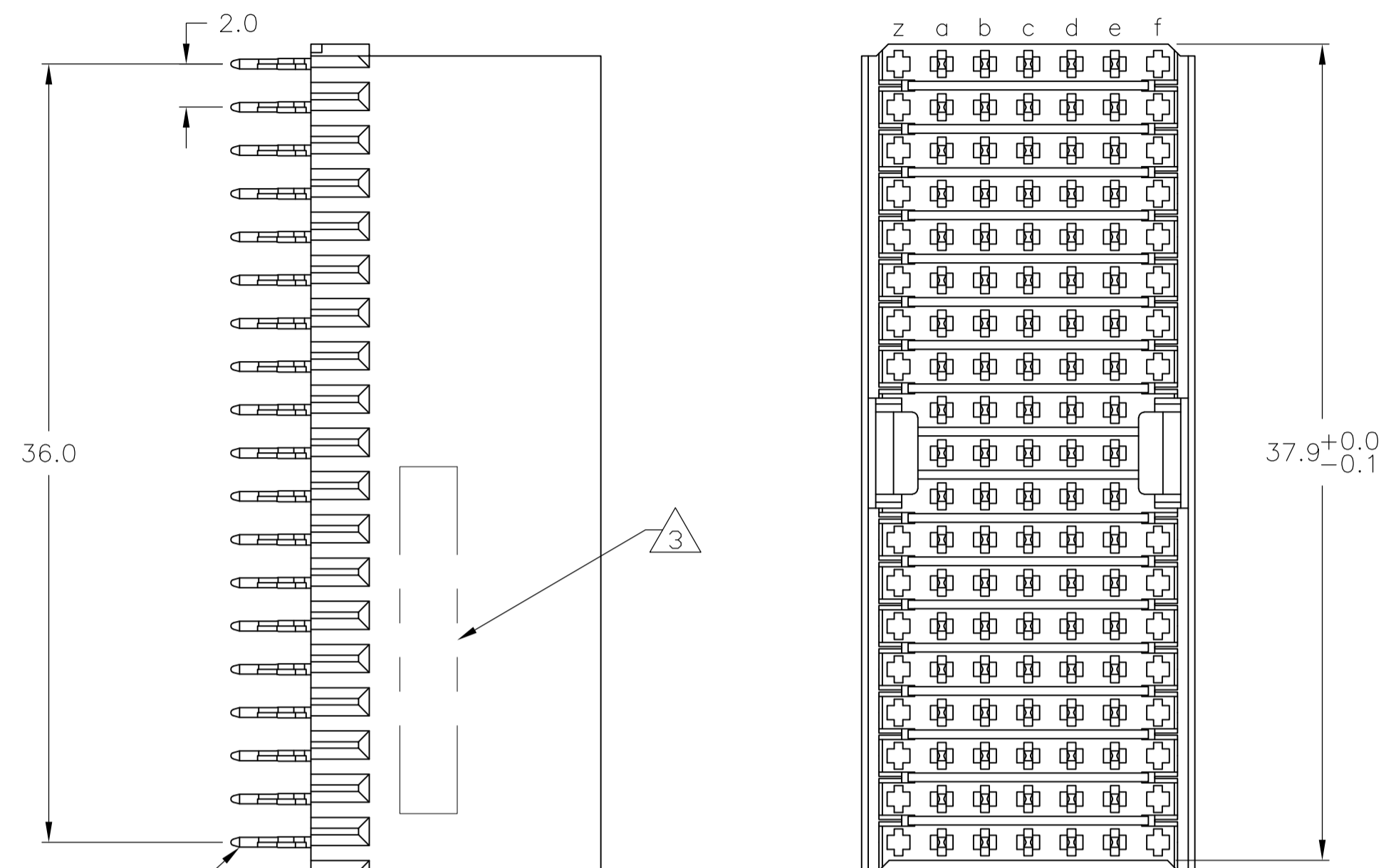
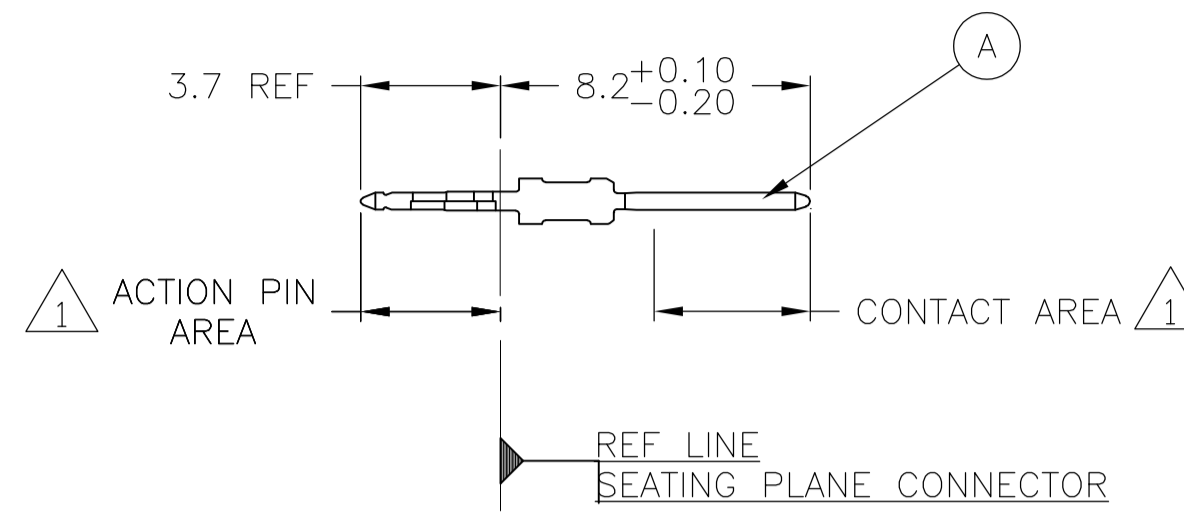


CONNECTOR ASSEMBLY EXAMPLARY LOADED

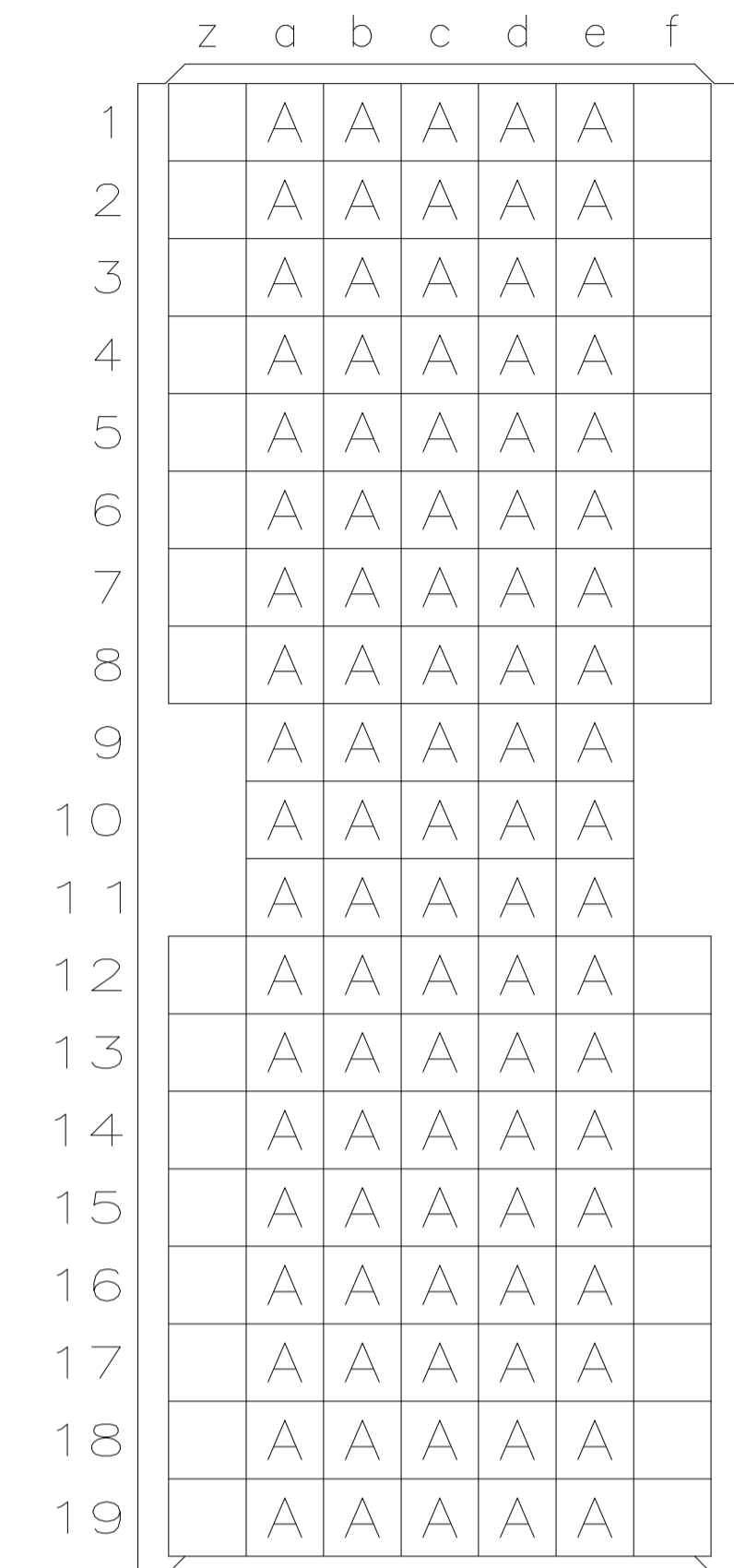


CONTACT DIMENSIONS

SCALE 5:1



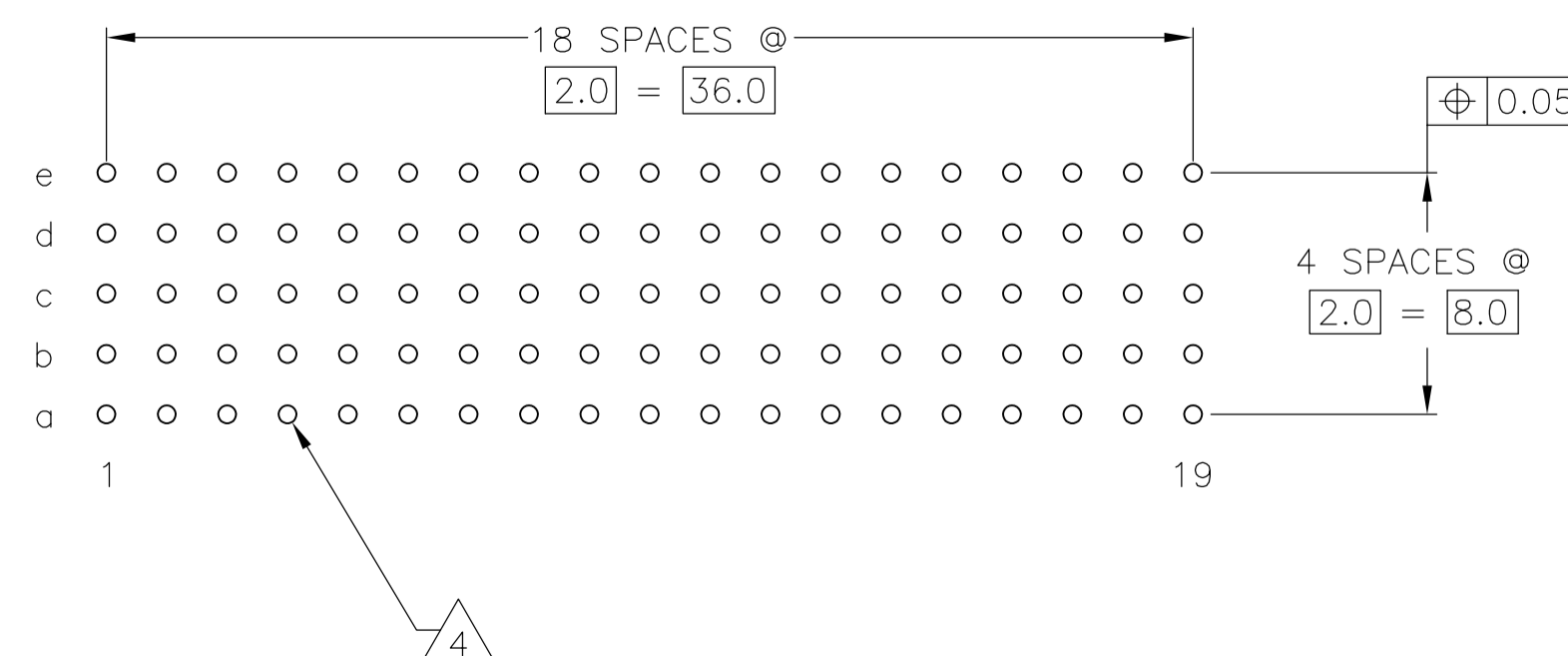
CONTACT LAYOUT



RECOMMENDED PCB-HOLE LAYOUT COMPONENT SIDE SHOWN

PCB HOLE DIM ACTION PIN

DRILLED HOLE: 0.7±0.025
FIN HOLE: 0.55 TO 0.65mm
Cu-thks: 0.025 TO 0.050mm
SnPb-thks: 0.004 TO 0.010mm



- 1 CONTACT FINISH:
CONTACT AREA: 0.8µm Au MIN OVER 1.3µm Ni MIN.
ACTION PIN: 0.5µm SnPb MIN OVER 1.3µm Ni MIN.
- 2 MATERIAL:
CONTACT: PHOSPHOR BRONZE.
HOUSING: GLASS-FILLED POLYESTER.
- 3 CONNECTOR MARKED WITH PART NUMBER AND DATE CODE.
ADDITIONAL CHARACTERS OR MARKINGS, AS WELL AS THE LOCATION OF THE MARKINGS,
MAY BE ADDED FOR TRACEABILITY BASED UPON MANUFACTURERS DISCRETION.
- 4 PLATED-THROUGH HOLES AT 2x2mm SQUARE GRID
TOTAL 95 HOLES.
- 5 FOR ACTUAL PIN LOADING SEE "CONTACT LAYOUT".
- 6 TO BE MEASURED AT BOTTOM OF SHROUD.

THIS DRAWING IS A CONTROLLED DOCUMENT.		DIN B CARBO 10JUL02		Tyco Electronics Corporation	
DIMENSIONS: mm		GSKIPPER 10JUL02		Tyco Electronics Corporation	
TOLERANCES UNLESS OTHERWISE SPECIFIED:		GSKIPPER 10JUL02		Harrisburg, PA 17105-3608	
0-PLC ±		NAME		PART NUMBER	
1-PLC ±0.1		PIN ASSEMBLY, Z-PACK 2mm HM,		646948-1	
2-PLC ±		TYPE A/B, 95 POS		PART NUMBER	
3-PLC ±		SIZE CASE CODE DRAWING NO		646948-1	
4-PLC ±		A1 00779 C=646948		646948-1	
ANGLES		WEIGHT		646948-1	
MATERIAL		CUSTOMER DRAWING		646948-1	
FINISH		SCALE 4:1		646948-1	
1		SHEET 1 of 1		646948-1	
2		REV B		646948-1	

单击下面可查看定价，库存，交付和生命周期等信息

[>>TE Connectivity\(泰科\)](#)