

THIS DRAWING IS UNPUBLISHED.

RELEASED FOR PUBLICATION

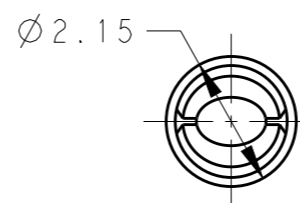
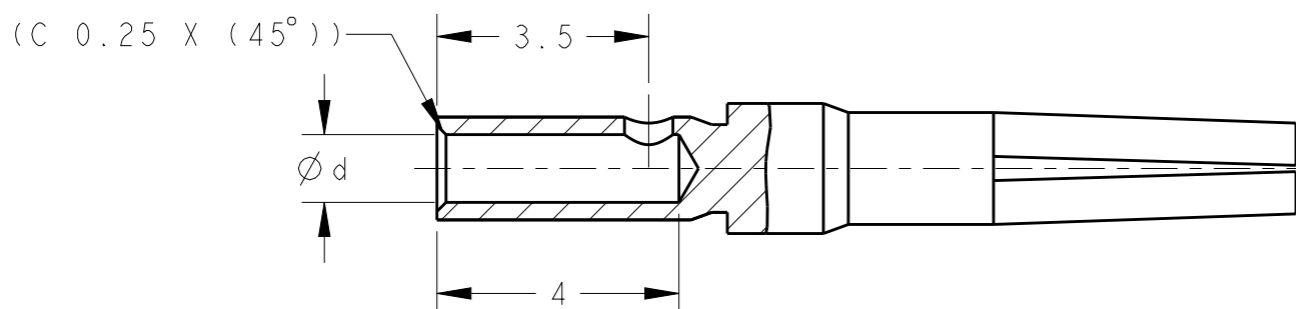
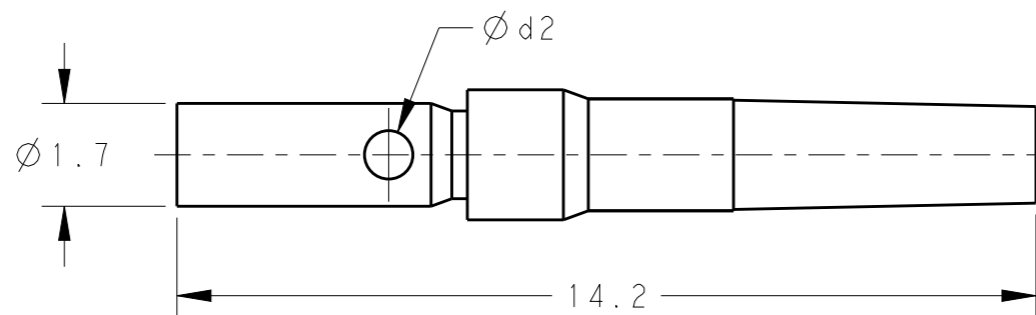
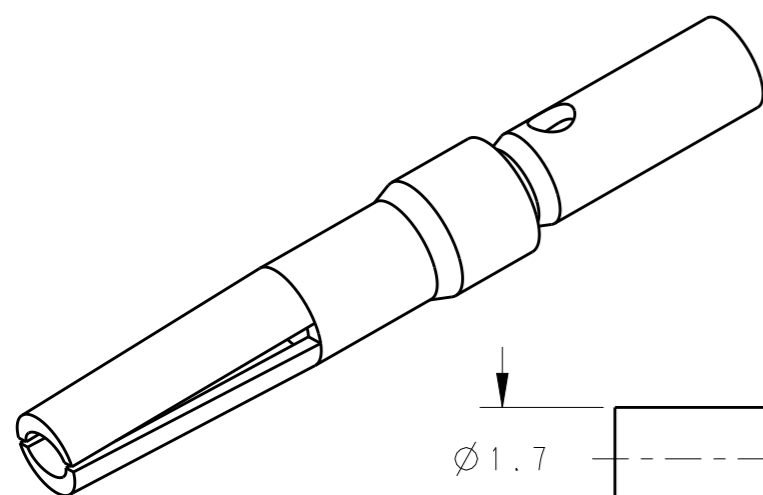
20

© COPYRIGHT 20 BY -

ALL RIGHTS RESERVED.

REVISIONS

P	LTR	DESCRIPTION	DATE	DWN	APVD
	A	INITIAL	15MAY2015	DW	CW
	A1	ECR-16-002757	24FEB2016	RL	CW
	A2	ECR-21-000654	26JAN2021	BS	CW



NOTES:

- 1. TECHNICAL CHARACTERISTICS:
 CONTACT MATERIAL: BRASS
 SURFACE PLATING:
 SILVER PLATING: $\geq 2\mu\text{m}$
 GOLD PLATING: $\geq 0.75\mu\text{m}$
 WIRE RANGE: 0.08-0.52 mm² (28-20 AWG)
 OPERATION TEMPERATURE: -40-+125°C

注释:

- 1. 技术参数:
 公针材料: 黄铜
 表面电镀:
 镀银: $\geq 2\mu\text{m}$
 镀金: $\geq 0.75\mu\text{m}$
 接线范围: 0.08-0.52 mm² (28-20 AWG)
 工作温度: -40-+125°C

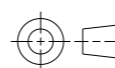
	PART NUMBER AFTER PLATING 电镀后料号				ϕd	$\phi d2$	WIRE GAUGE 线规		STRIPPING LENGTH 剥线长度 (mm)
	SILVER PLATING 镀银		GOLD PLATING 镀金				MM ²	AWG	
SOCKET CONTACT 母针	CAF-08	T2070002008-000	DAF-08	T2070012008-000	0.7	0.6	0.08-0.21	28-24	4.0
	CAF-13	T2070002013-000	DAF-13	T2070012013-000	0.9	0.8	0.13-0.33	26-22	
	CAF-33	T2070002033-000	DAF-33	T2070012033-000	1.12	0.8	0.33-0.52	22-20	

THIS DRAWING IS A CONTROLLED DOCUMENT.

DWN 15MAY2015
David Wang
 CHK 15MAY2015
Chris Wang
 APVD 15MAY2015
Xiang Xu



DIMENSIONS:
mm



TOLERANCES UNLESS OTHERWISE SPECIFIED:
 0 PLC ±-
 1 PLC ±-
 2 PLC ±-
 3 PLC ±-
 4 PLC ±-
 ANGLES ±-

MATERIAL

FINISH

PRODUCT SPEC 108-137064
 APPLICATION SPEC 114-137064
 WEIGHT -

NAME CAF/DAF
D-SUB SOCKET CONTACT

SIZE A3 CAGE CODE 00779 DRAWING NO. T20700X20XX000 RESTRICTED TO -

Customer Drawing SCALE 8:1 SHEET 1 OF 1 REV A2

单击下面可查看定价，库存，交付和生命周期等信息

[>>TE Connectivity\(泰科\)](#)