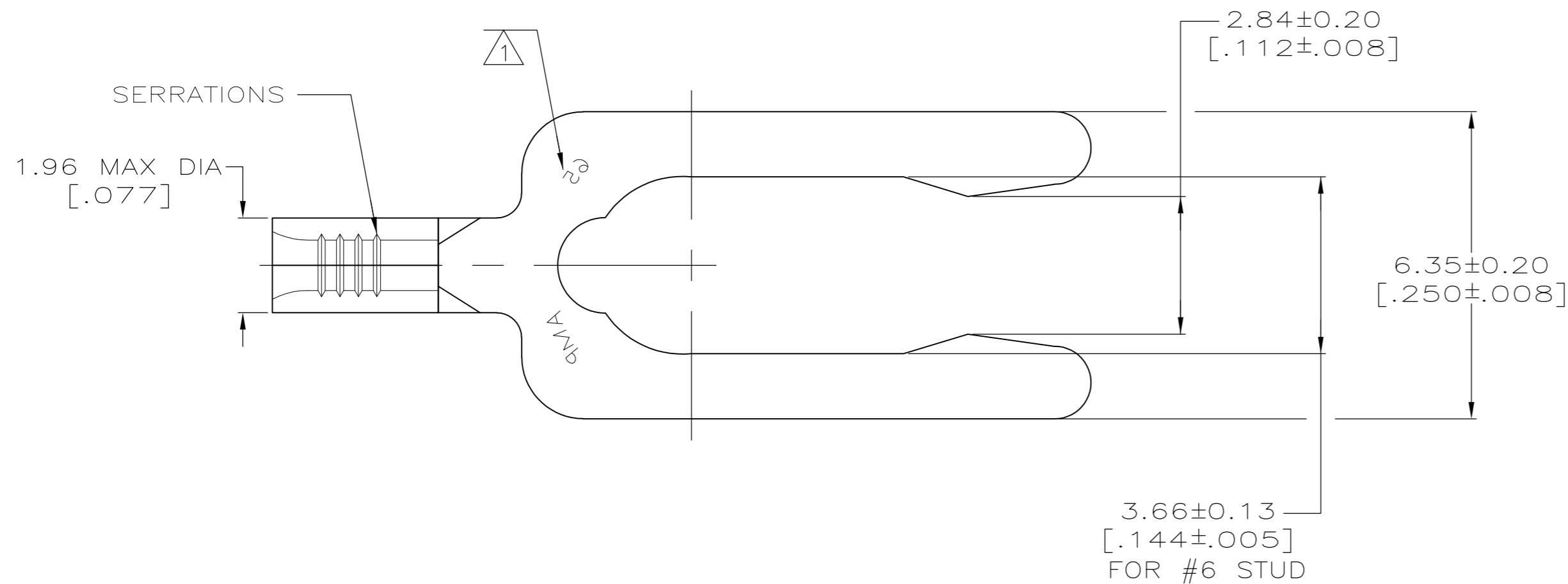


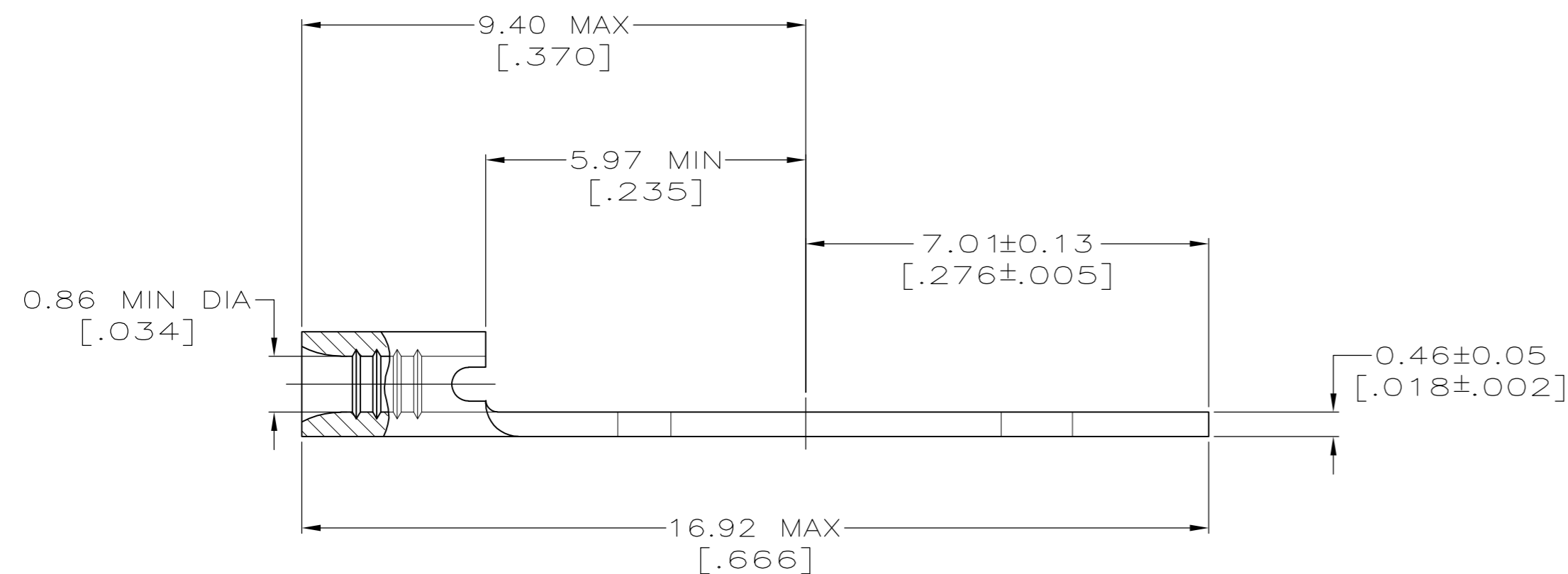
THIS DRAWING IS UNPUBLISHED. RELEASED FOR PUBLICATION
 © COPYRIGHT BY TYCO ELECTRONICS CORPORATION. ALL INTERNATIONAL RIGHTS RESERVED.

LOC	DIST	REVISIONS					
		P	LTR	DESCRIPTION	DATE	DWN	APVD
G	14	A1		REV PER ECR 10-016092	09AUG10	JR	TM



AMP WIRE RANGE	Listed FILE E13288	LR7189 Certified
26-22 AWG STRANDED	NOT LISTED	NOT CERTIFIED

- 1 STAMP 6S AMP APPROX AS SHOWN
6S INDICATES STUD SIZE
- 2 PHOSPHOR BRONZE PER ASTM B103, ANNEALED



52734-1
PART NO.

CUSTOMER SERVICE SYSTEMS		MAX RECOMMENDED OPERATING TEMPERATURE: 170°C MAX		THIS DRAWING IS A CONTROLLED DOCUMENT.		DWN TA BRINKMAN 2-15-93		Tyco Electronics Corporation	
FOR ADDITIONAL PRODUCT INFORMATION OR COPIES OF DRAWINGS AND TECHNICAL DOCUMENTS	PRODUCT INFORMATION CENTER 1-800-522-6752	VOLTAGE RATING: N/A	CIRCULAR MIL AREA: 0.10-0.41mm ² [202-810] STRANDED	DIMENSIONS: MM [INCHES]	TOLERANCES UNLESS OTHERWISE SPECIFIED:	CHK DA PATTERSON 2-15-93	APVD JL MECKLEY 2-15-93	Tyco Electronics Corporation Harrisburg, PA 17105-3608	
FOR APPLICATION TOOLING INFORMATION	TOOLING ASSISTANCE CENTER 1-800-722-1111			0 PLC ± - 1 PLC ± - 2 PLC ± - 3 PLC ± - 4 PLC ± - ANGLES ± -		PRODUCT SPEC		NAME	
FOR ORDER ENTRY	1-800-526-5142	THIS DRAWING IS A CONTROLLED DOCUMENT FOR AMP INCORPORATED. IT IS SUBJECT TO CHANGE AND THE CONTROLLING ENGINEERING ORGANIZATION SHOULD BE CONTACTED FOR THE LATEST REVISION.		MATERIAL - 2		FINISH TIN PLATE PER ASTM B545		TERMINAL, LONG SPRING SPADE, BUDGET	
						APPLICATION SPEC		SIZE CAGE CODE DRAWING NO RESTRICTED TO	
						WEIGHT -		A2 00779 C=52734	
						CUSTOMER DRAWING		SCALE 10:1 SHEET 1 OF 1 REV A1	

单击下面可查看定价，库存，交付和生命周期等信息

[>>TE Connectivity\(泰科\)](#)