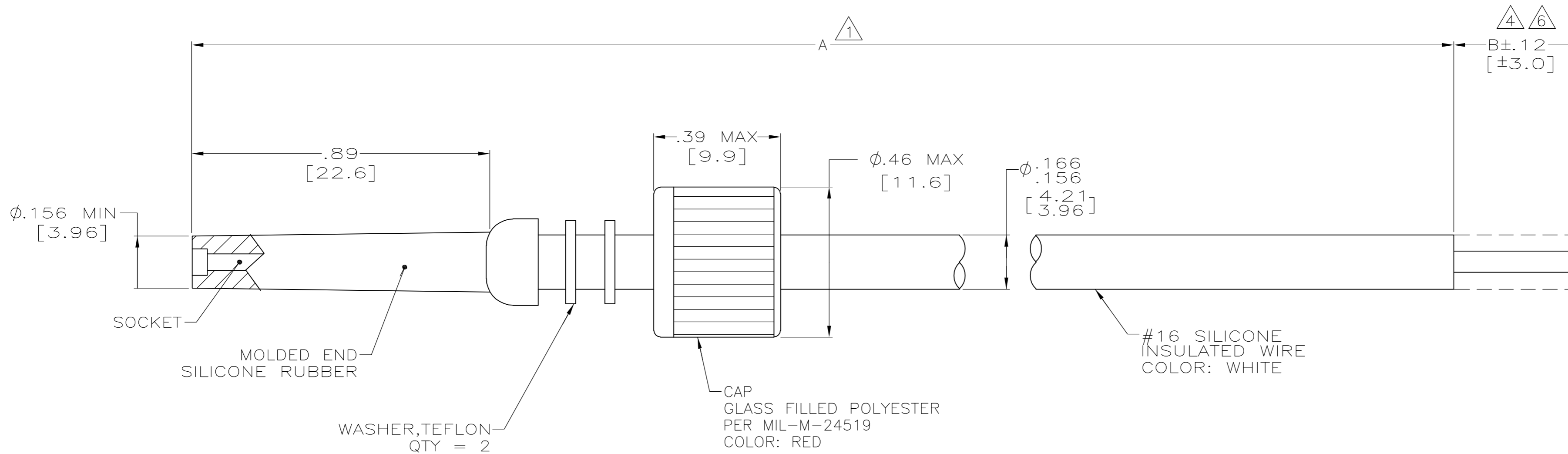


THIS DRAWING IS UNPUBLISHED. RELEASED FOR PUBLICATION
 © COPYRIGHT BY TYCO ELECTRONICS CORPORATION. ALL RIGHTS RESERVED.

LOC	DIST	REVISIONS					
DF	S0	P	LTR	DESCRIPTION	DATE	DWN	APVD
		H		REV PER ECO-05-014991	06FEB06	PY	DE



- 1. TOLERANCE OF LEAD LENGTH:
UP TO 24 INCHES [609.6] = ± 1.2 [±3.0]
24 INCHES [609.6] & UP = $\pm 1\%$
- 2. MARKED PER MIL-STD-130.
- 3. TO MATE WITH AMP LGH-1/2L RECEPTACLE WITH .89 [22.6] BARREL DEPTH.
- 4. "B" DIMENSION IS SOLDER DIPPED.
- 5. OPERATING VOLTAGE: 15 KVDC AT 0 TO 70,000 FEET, -55° C TO 125° C.
- 6. INSULATION CUT, BUT NOT REMOVED

REMARKS	B	A	PART NO.
	6	15.00 [381.0]	5-863139-3
OBSOLETE	4	24.00 [609.6]	863139-4
	4	15.00 [381.0]	863139-3
OBSOLETE	4	6.00 [152.4]	863139-2
OBSOLETE	4	21.00 [533.4]	863139-1

THIS DRAWING IS A CONTROLLED DOCUMENT.		DWN	12-20-89	Tyco Electronics Corporation Harrisburg, Pa 17105-3608	
DIMENSIONS: INCHES		CHK	12-20-89	NAME	
TOLERANCES UNLESS OTHERWISE SPECIFIED:		D. EABY		LEAD ASS'Y, SGL. END, LGH-1/2L	
0 PLC ± -		APVD	-	SIZE	CAGE CODE
1 PLC ± -		PRODUCT SPEC	-	A2	00779
2 PLC ± .02 [0.5]		APPLICATION SPEC	-	DRAWING NO	C=863139
3 PLC ± -		WEIGHT	-	RESTRICTED TO	-
4 PLC ± -		CUSTOMER DRAWING	-	SCALE	4:1
ANGLES ± -		SCALE	4:1	SHEET	1 OF 1
FINISH -		REV	H		

单击下面可查看定价，库存，交付和生命周期等信息

[>>TE Connectivity\(泰科\)](#)