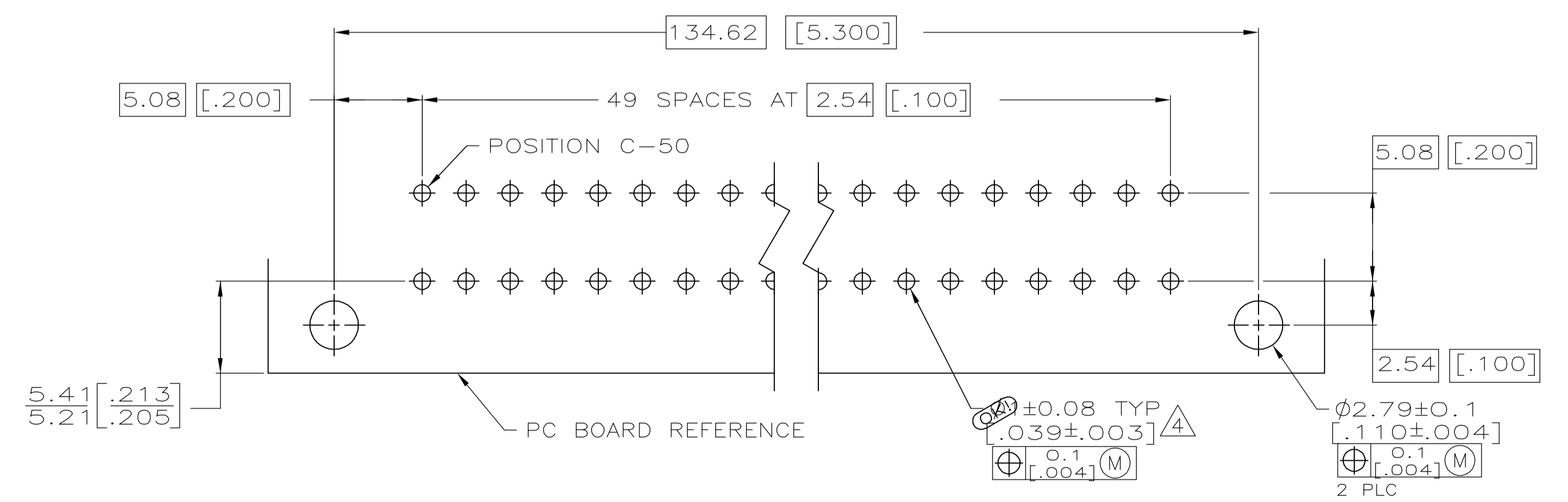
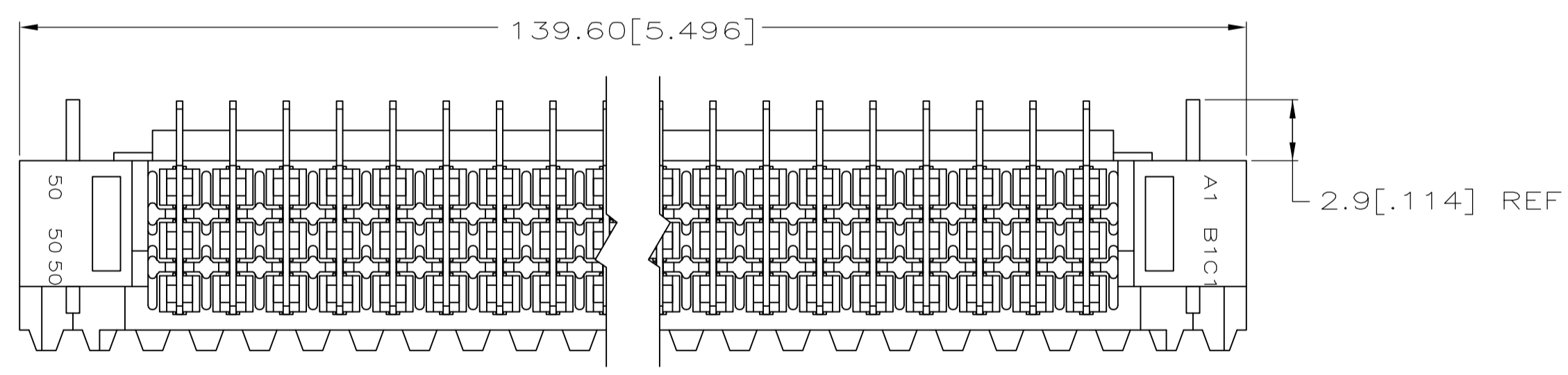
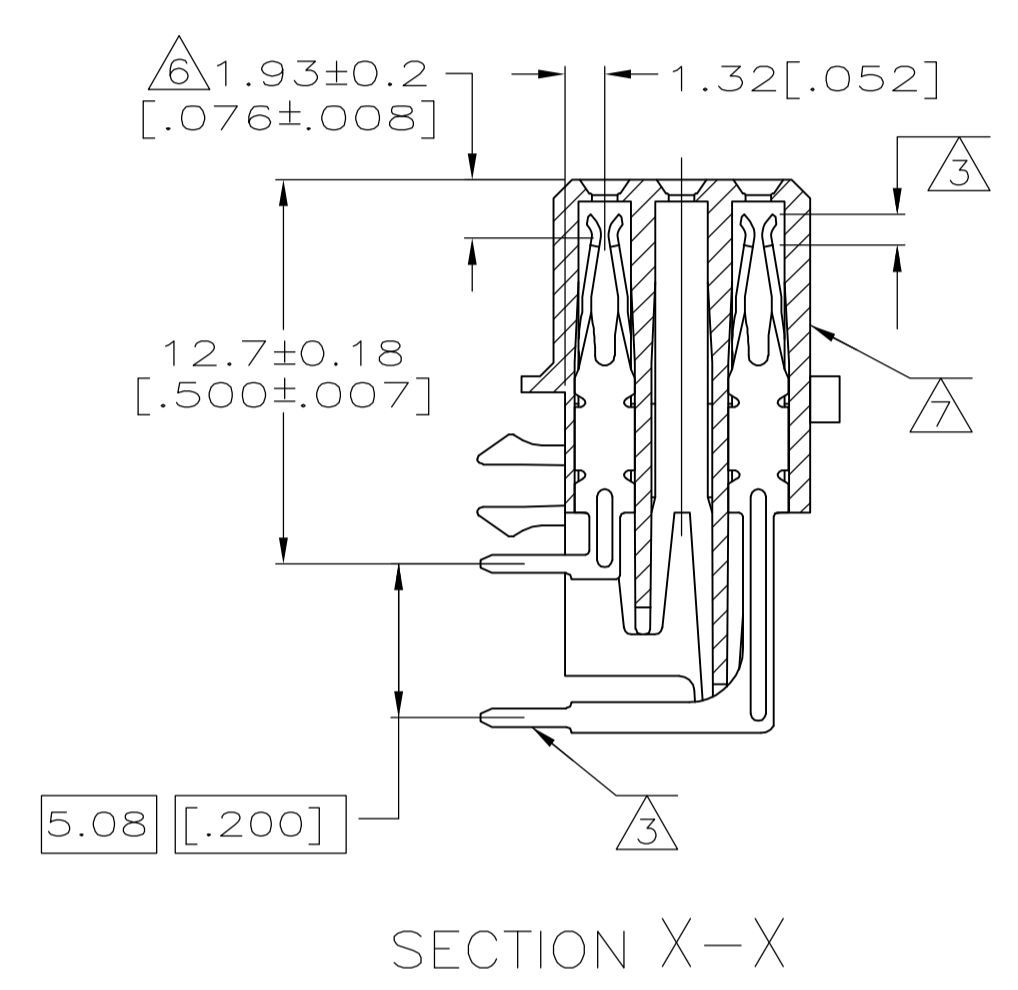
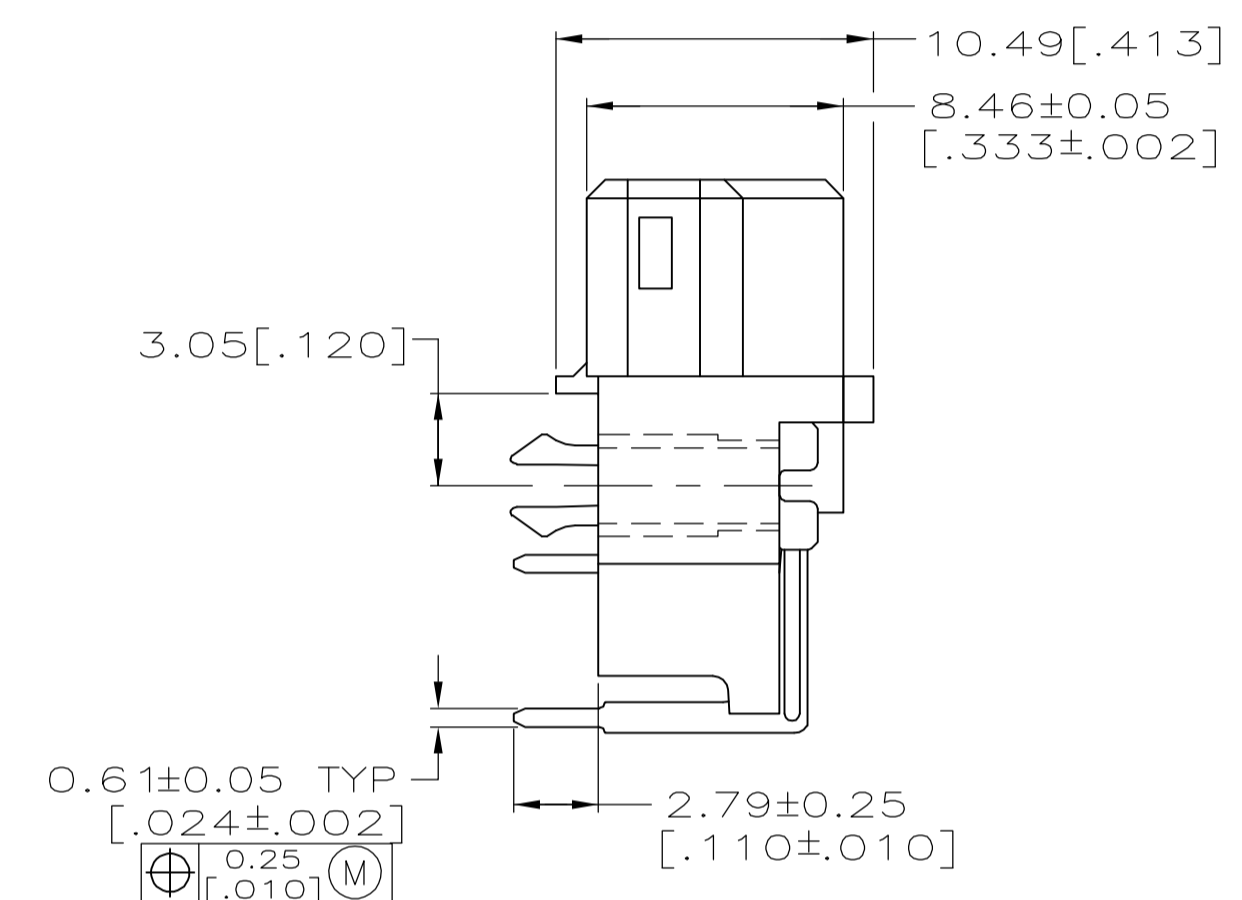
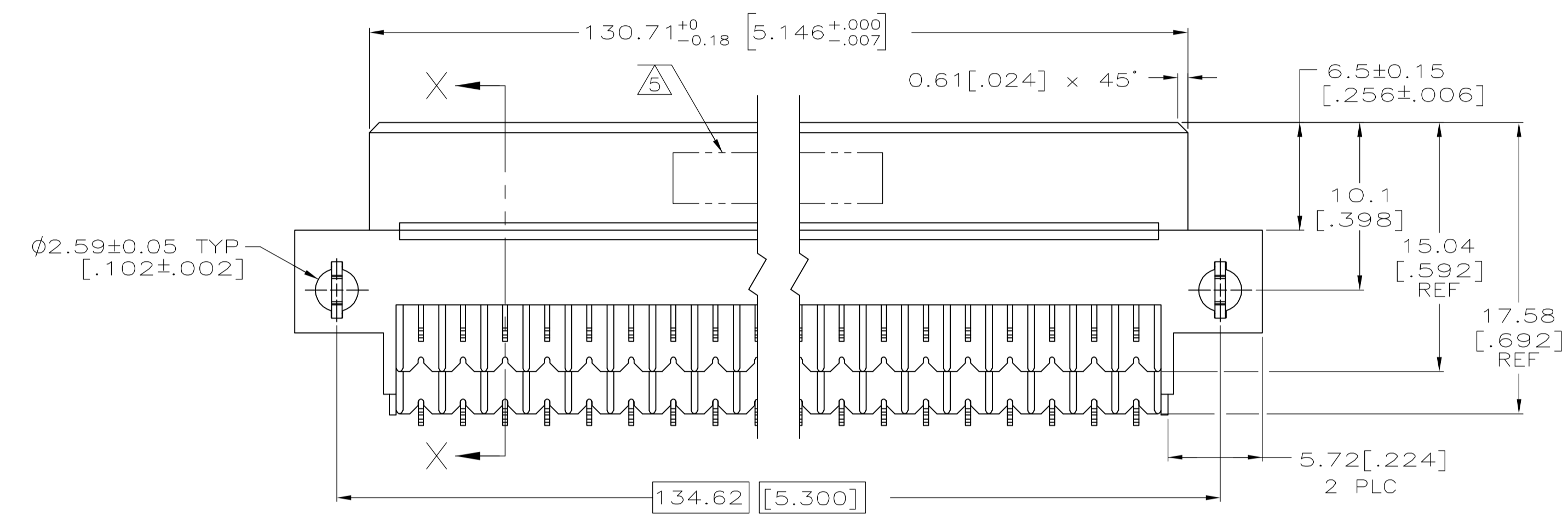


- ① HOUSING MATERIAL: GLASS-FILLED POLYMER.
- ② CONTACT MATERIAL: COPPER ALLOY.
- ③ CONTACT FINISH: DIN 41612 CLASS 2 ON CONTACT AREA. TIN PLATE ON POSTS.
- ④ RECOMMENDED HOLE SIZE FOR MANUAL APPLICATION OF CONNECTOR ONTO PC BOARD.
- ⑤ PART NUMBER, DATE CODE IDENTIFICATION, CSA LOGO THIS APPROXIMATE AREA.
- ⑥ CONTACT POINT.
- ⑦ MARKING ON THIS SIDE.



PC BOARD LAYOUT
 RECOMMENDED PC BOARD THICKNESS 1.57[.062]

1 THRU 50	X	-	X	100	5536016-5
POSITIONS LOADED	C	B	A	NO. OF LOADED POSITIONS	ASSY PART NUMBER

THIS DRAWING IS A CONTROLLED DOCUMENT.		DWN J. POLIGNONE 03JUN05		Tyco Electronics Corporation Harrisburg, PA 17105-3608	
DIMENSIONS: mm [INCHES]		TOLERANCES UNLESS OTHERWISE SPECIFIED:		APVD A. SHARPE 03JUN05	
0 PLC	± -	1 PLC	± -	NAME ASSEMBLY, RECEPTACLE, EUROCARD, TYPE R, A&C 100/150 POSITION, SOLDER POSTS WITH BOARD-LOCKS	
2 PLC	± -	3 PLC	± 0.13[.005]	APPLICATION SPEC 2.79[.110]	
4 PLC	± -	ANGLES	± -	SIZE A1 00779 C=5536016	
MATERIAL	① ②	FINISH	③	WEIGHT	-
CUSTOMER DRAWING		SCALE 4:1		SHEET 1 OF 1 REV 0	

单击下面可查看定价，库存，交付和生命周期等信息

[>>TE Connectivity\(泰科\)](#)