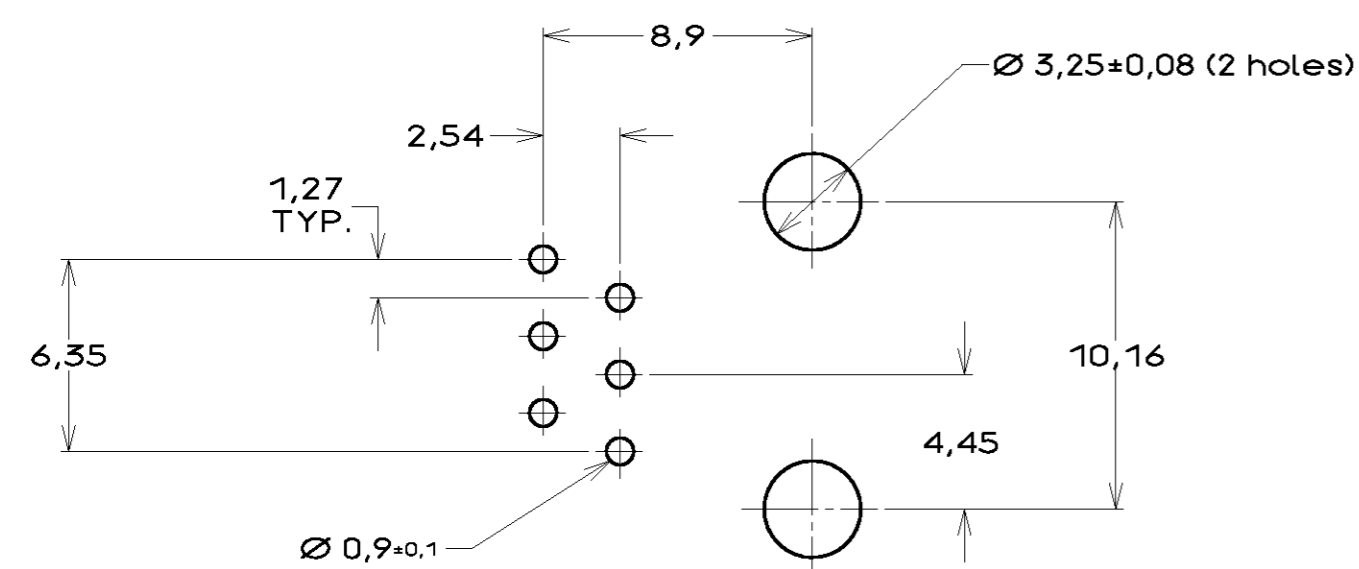
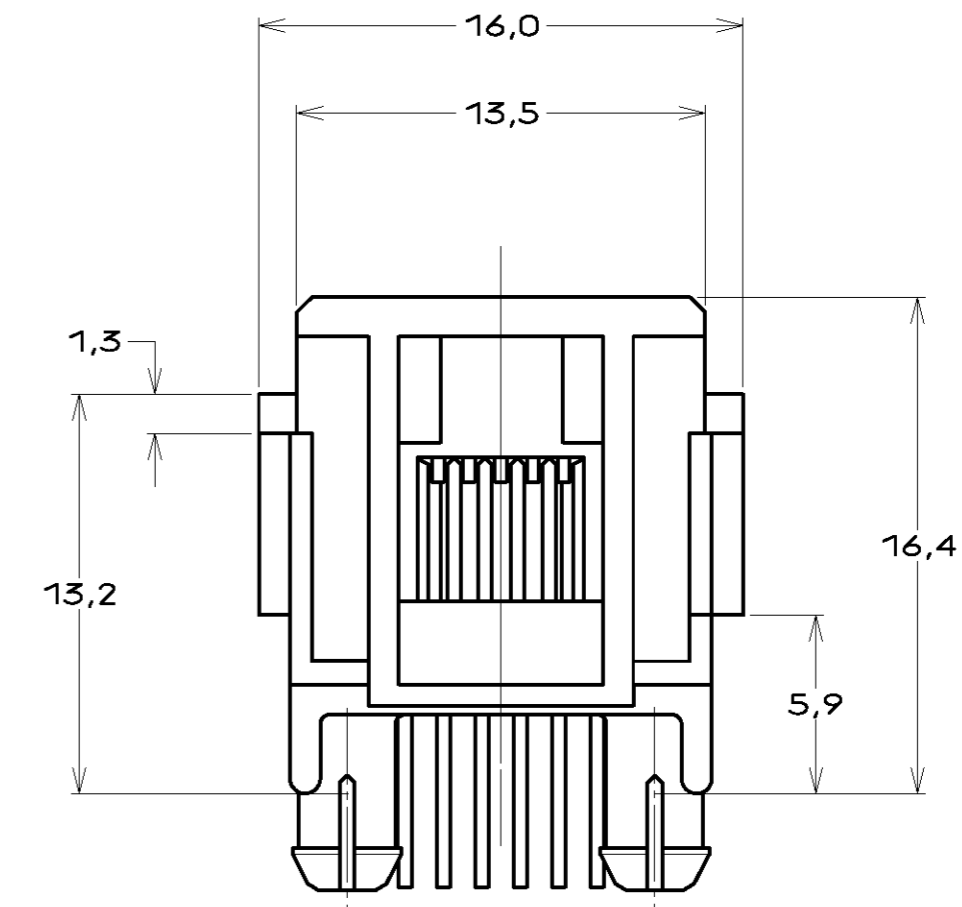
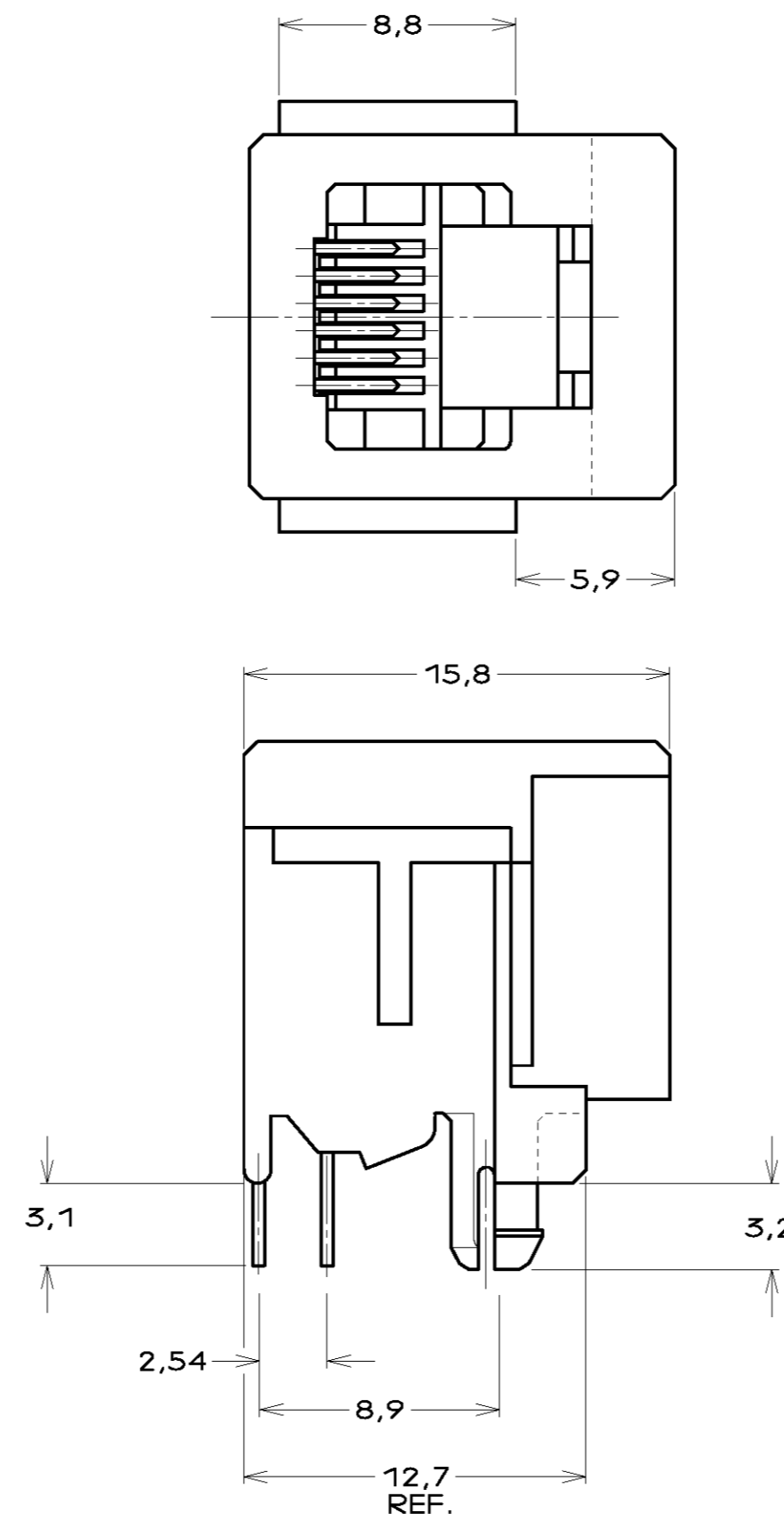
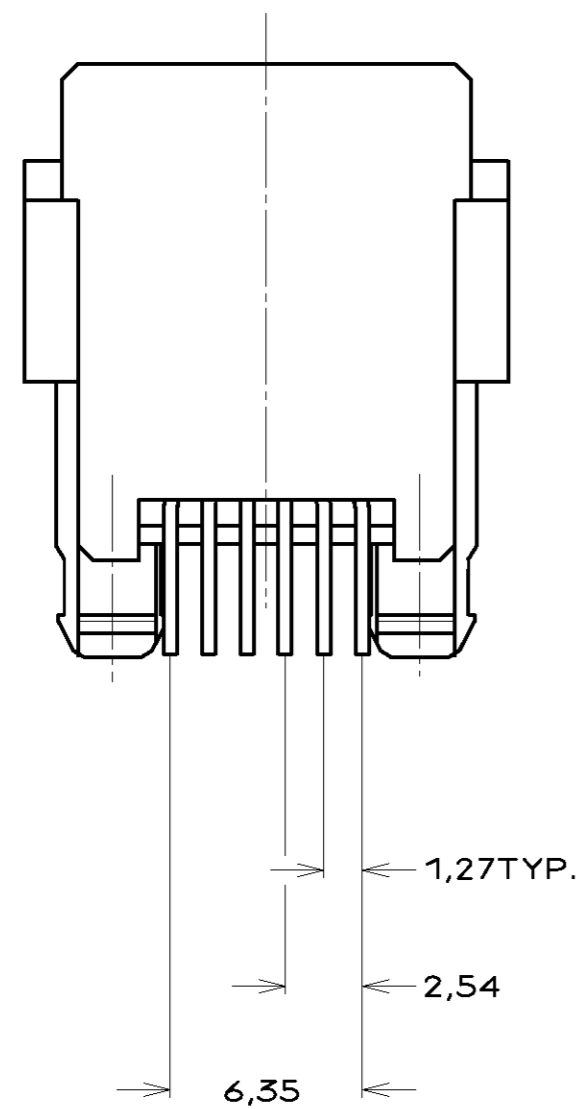


NOTES:

- 1 SEE SHEET 2 FOR 216564-2, 6 POS./4 CONTACTS.
- 2 TOLERANCES UNLESS OTHERWISE SPECIFIED: ±0,15
- 3 FOR APPLICATION INFORMATION SEE AMP SPEC. 114-19019.
- 4 FOR PERFORMANCE REQUIREMENTS SEE AMP SPEC. 108-19064

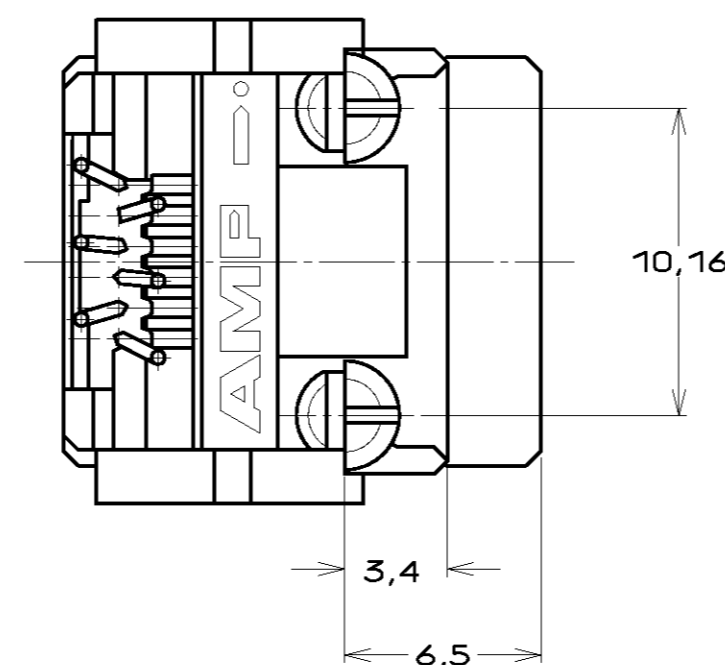


PRINTED CIRCUIT BOARD LAYOUT

[VIEW SHOWN IS CIRCUIT (NONCOMPONENT) SIDE OF BOARD.]

TOLERANCES UNLESS OTHERWISE SPECIFIED: ± 0,05.

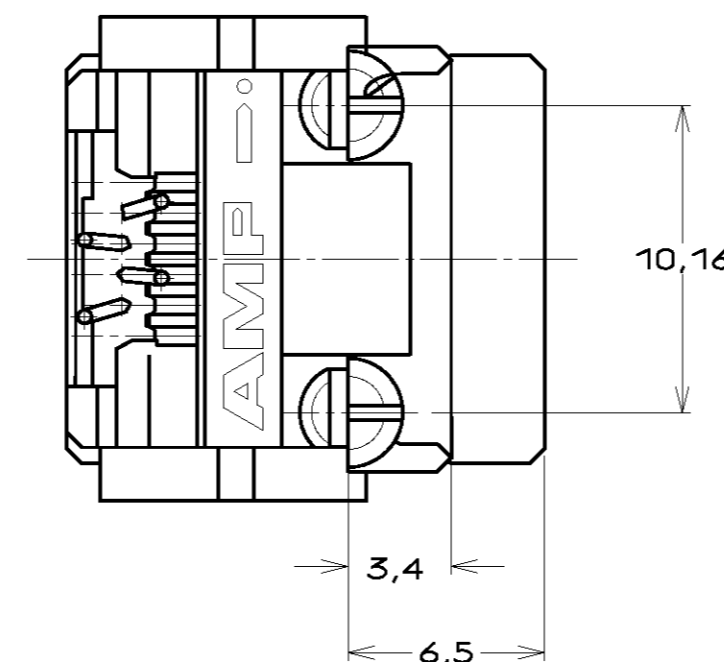
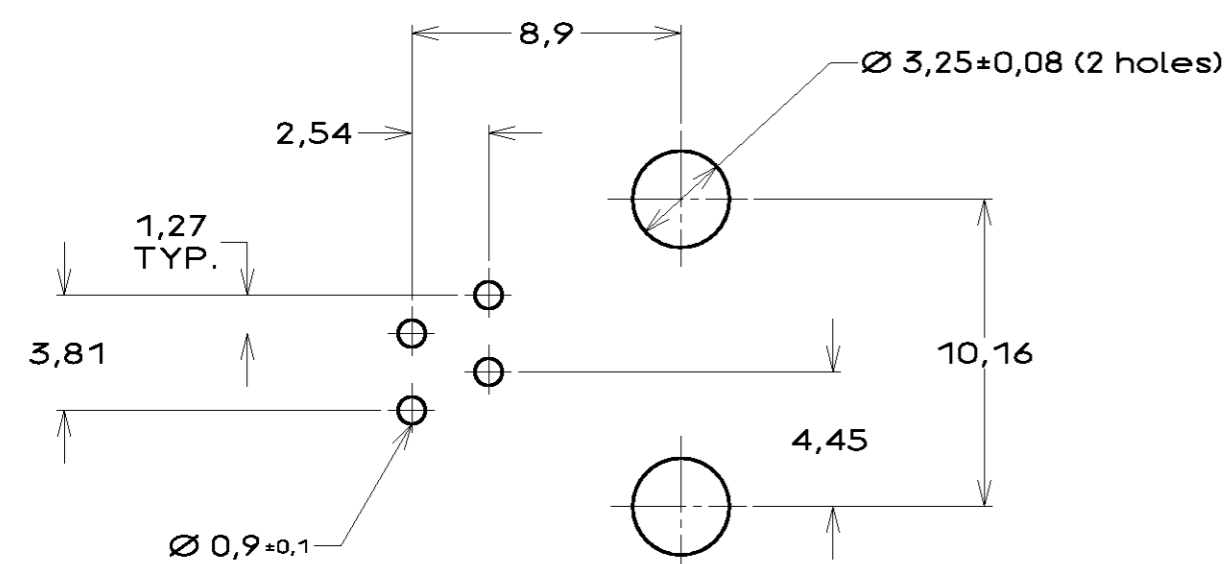
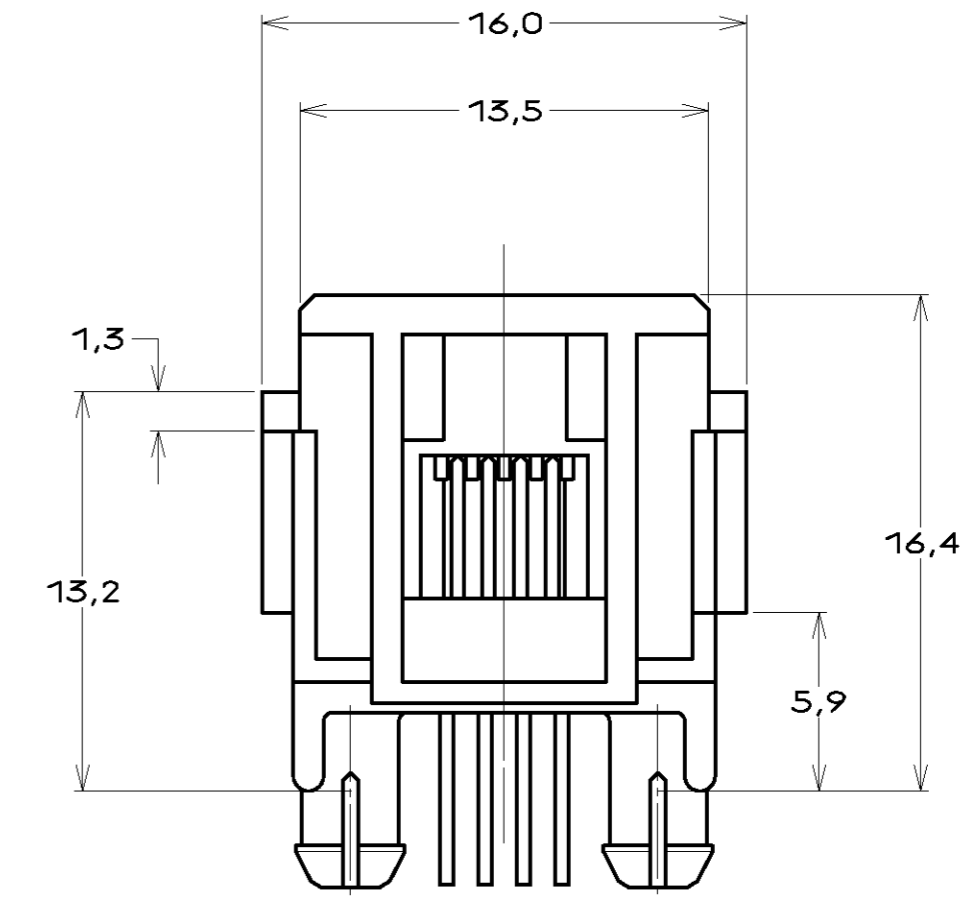
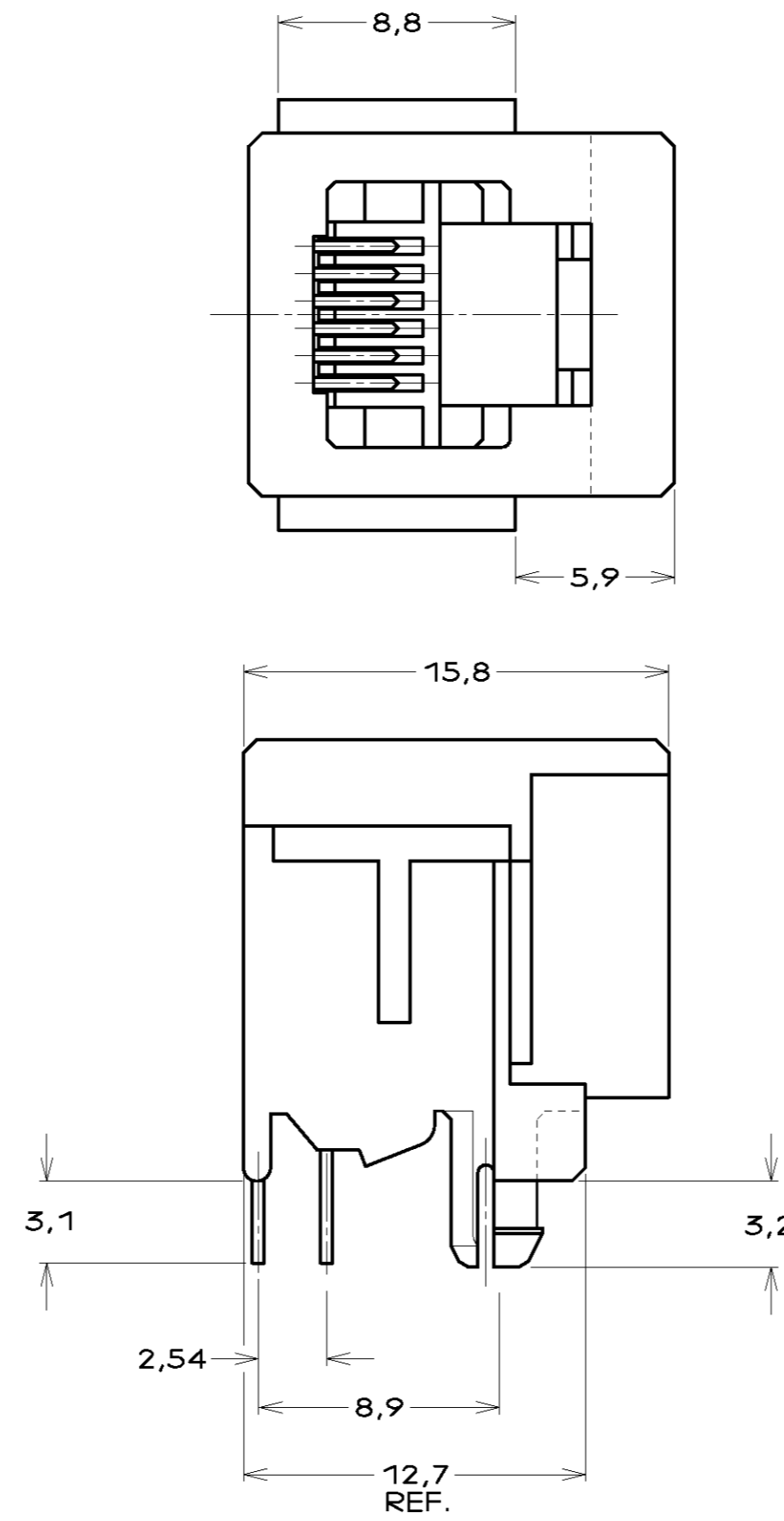
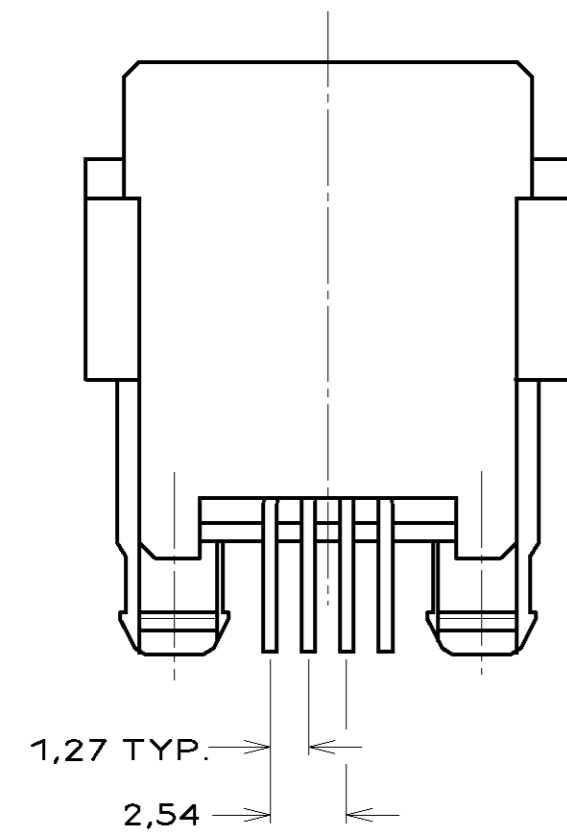
PRINTED CIRCUIT BOARD THICKNESS: 1,6 mm NOMINAL.



700pcs. ON A 60cm. DIA. REEL	6 POSITIONS/ 6 CONTACTS.	IN CONTACT AREA: 1,2µm MIN. SEL. GOLD OVER 1,2µm MIN. NICKEL	HOUSING: PTB,UL 94-HB COLOR: BLACK	216564-1
SOLDER TINES: 2,0µm MIN. TIN-LEAD OVER 1,2µm MIN. NICKEL		CONTACTS: PHOSPHOR BRONZE		
REMARKS	REMARKS	FINISH	MATERIAL	PARTNUMBER
-	-	-	-	-
CUSTOMER DRAWING FOR REFERENCE ONLY WILL NOT BE UPDATED				
© COPYRIGHT 19 BY AMP HOLLAND B.V. ALL INTERNATIONAL RIGHTS RESERVED. AMP PRODUCTS MAY BE COVERED BY U.S. AND FOREIGN AND/OR PATENTS PENDING.				
THIS DRAWING IS UNPUBLISHED RELEASED FOR PUBLICATION				
H2	ECR-08-013498	AEG	-	18-02-09
H1	OU60-0073-00	KV	KV	10 AUG 00
H	EH-1376-99	MVE	MVE	22 JUL 99
G	EH-0939-99	JG	TD	APR 99
F	EH-0244-96	MVE	G.C.	15 FEB 96
LTR.	REVISION RECORD	DR.	CHK.	DATE
DR.: L.v.d.HEIJDEN	CHK.: C.STERKEN	APP.: L.v.SOEST	DWG.No.	REV.LTR.
DATE: 29 AUG 89	DATE: -	DATE: -	C-216564	H2
			SHEET	A2
			1 OF 2	

NOTES:

- 1 SEE SHEET 1 FOR 216564-1, 6 POS/6 CONTACTS.
- 2 TOLERANCES UNLESS OTHERWISE SPECIFIED: ±0,15
- 3 FOR APPLICATION INFORMATION SEE AMP SPEC. 114-19019.
- 4 FOR PERFORMANCE REQUIREMENTS SEE AMP SPEC. 108-19064



**PRINTED CIRCUIT BOARD LAYOUT**  
 [VIEW SHOWN IS CIRCUIT (NONCOMPONENT) SIDE OF BOARD.]  
 TOLERANCES UNLESS OTHERWISE SPECIFIED: ± 0,05.  
 PRINTED CIRCUIT BOARD THICKNESS: 1,6 mm NOMINAL.

<b>OBSOLETE</b>	BULK PACKAGED 1000pcs. IN A BOX		IN CONTACT AREA: 1,2µm MIN. SEL. GOLD OVER 1,2µm MIN. NICKEL	HOUSING: PTB, LIL 84 HB COLOR: BLACK	216564-5
	700pcs. ON A 60cm DIA. REEL	6 POSITIONS/ 4 CONTACTS.	SOLDER FINES: 2,0µm MIN. TIN-LEAD OVER 1,2µm MIN. NICKEL	CONTACTS: PHOSPHOR BRONZE	216564-2
	PACKAGING	REMARKS	FINISH	MATERIAL	PARTNUMBER
	-	-	-	-	-
	-	-	-	-	-
	-	-	-	-	-
	-	-	-	-	-
	-	-	-	-	-
	-	-	-	-	-
	SEE SHEET 1	-	-	-	-
	LTR.	DR.	CHK.	DATE	
	DR.: P.BEJNON	CHK.: C.STERKEN	APP.: L.v.SOEST	DWG.No.	
	DATE: -	DATE: -	DATE: -	C-216564	
				REV. LTR.	SHEET
				H2	2 OF 2
					A2

单击下面可查看定价，库存，交付和生命周期等信息

[>>TE Connectivity\(泰科\)](#)