

THIS DRAWING IS UNPUBLISHED.

RELEASED FOR PUBLICATION

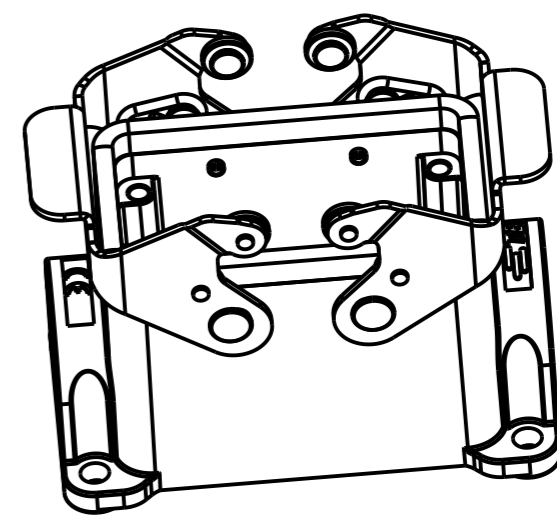
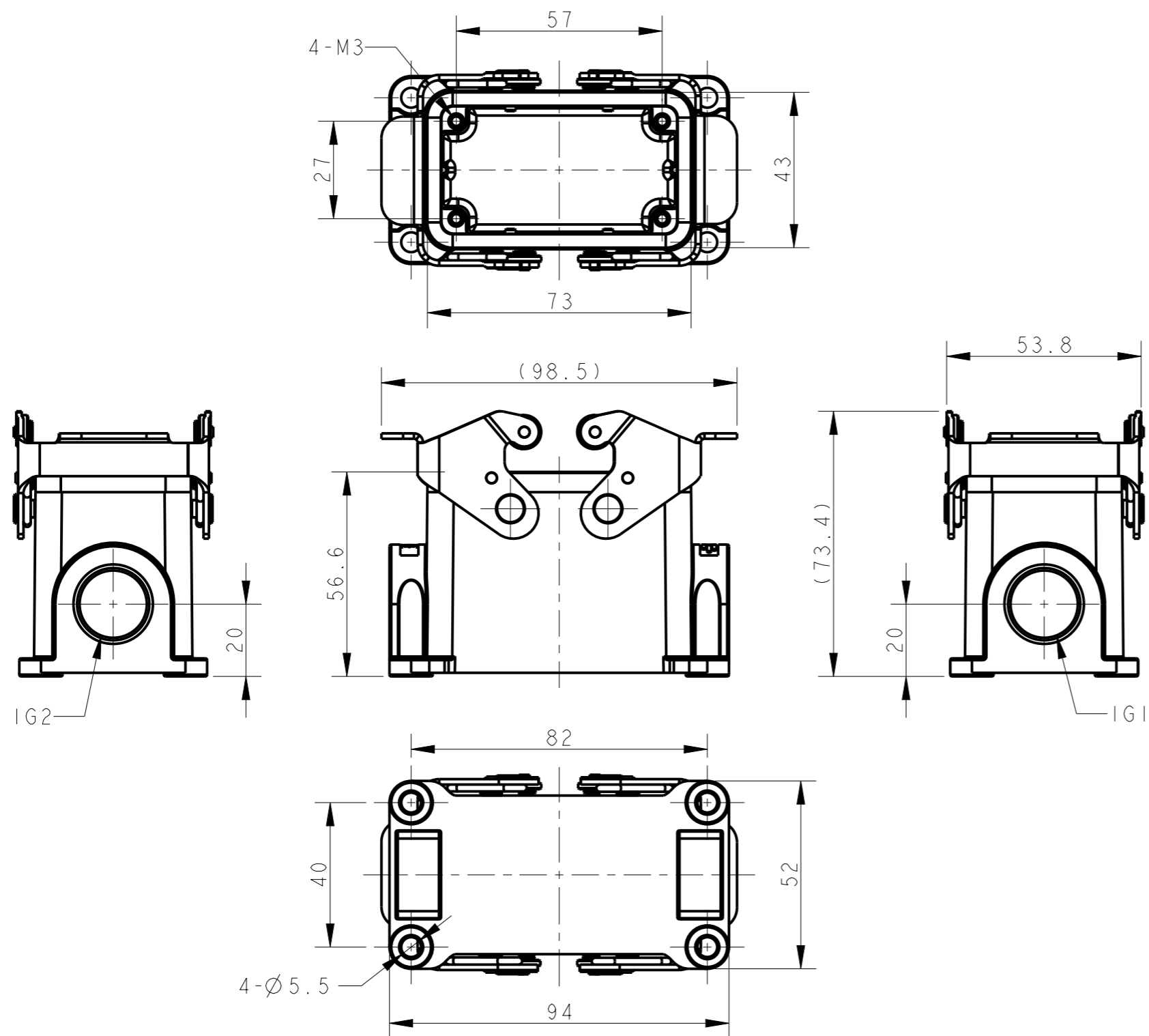
20

© COPYRIGHT 20 BY -

ALL RIGHTS RESERVED.

REVISIONS

P	LTR	DESCRIPTION	DATE	DWN	APVD
	A	INITIAL RELEASE	25JUN2015	DL	CW
	B	ECR-20-008181	07JUL2020	WQR	CW



NOTES:  
 1. TECHNICAL CHARACTERISTICS:  
 BODY MATERIAL: DIE CAST ALUMINIUM ALLOY  
 SURFACE TREATMENT: POWDER-COATED, GRAY  
 DEGREE OF PROTECTION: IP65 (MATED)

注释:  
 1. 技术参数:  
 主体材料: 铝合金  
 表面处理: 粉末喷涂, 灰色  
 防护等级: IP65(配合)

TYPE I: BODY + DOUBLE STAINLESS STEEL LOCKING

TI440101116-000	TYPE I	H10B-SGRS-PG16	PG16	-
TI440101120-000		H10B-SGRS-M20	M20	-
TI440101121-000		H10B-SGRS-PG21	PG21	-
TI440101125-000		H10B-SGRS-M25	M25	-
TI440101216-000		H10B-SGRS-2PG16	PG16	PG16
TI440101220-000		H10B-SGRS-2M20	M20	M20
TI440101221-000		H10B-SGRS-2PG21	PG21	PG21
TI440101225-000		H10B-SGRS-2M25	M25	M25
ASSEMBLY PART NUMBER	TYPE	ASSEMBLY PART DESCRIPTION	IG1	IG2

THIS DRAWING IS A CONTROLLED DOCUMENT.		DWN	DAVID LI	25JUN2015	<b>TE</b> TE Connectivity			
DIMENSIONS: mm		CHK	CHRIS WANG	25JUN2015				
TOLERANCES UNLESS OTHERWISE SPECIFIED:		APVD	XU XIANG	25JUN2015				
0 PLC ±- 1 PLC ±- 2 PLC ±- 3 PLC ±- 4 PLC ±- ANGLES ±-		PRODUCT SPEC	108-137013					
MATERIAL TBD		APPLICATION SPEC	114-137013		NAME	H10B-SGRS-PG/M		
FINISH -		WEIGHT	-		SIZE	A3	CAGE CODE	-
		CUSTOMER DRAWING			DRAWING NO	C-TI44010XXXX000		RESTRICTED TO
					SCALE	1:1	SHEET	1 OF 2
							REV	B

4

3

2

1

THIS DRAWING IS UNPUBLISHED.

RELEASED FOR PUBLICATION

20

© COPYRIGHT 20

BY -

ALL RIGHTS RESERVED.

REVISIONS

P	LTR	DESCRIPTION	DATE	DWN	APVD
-		SEE SHEET 1	-	-	-

TYPE 2: BODY + DOUBLE STEEL LOCKING

OTHER SPEC REFER TO TYPE 1

TI440102116-000	TYPE 2	HI0B-SGR-PG16	PG16	-
TI440102120-000		HI0B-SGR-M20	M20	-
TI440102121-000		HI0B-SGR-PG21	PG21	-
TI440102125-000		HI0B-SGR-M25	M25	-
TI440102216-000		HI0B-SGR-2PG16	PG16	PG16
TI440102220-000		HI0B-SGR-2M20	M20	M20
TI440102221-000		HI0B-SGR-2PG21	PG21	PG21
TI440102225-000		HI0B-SGR-2M25	M25	M25
TI440102516-000		HI0B-SGR-M25/PG16	M25	PG16
TI440102520-000		HI0B-SGR-M25/M20	M25	M20
ASSEMBLY PART NUMBER	TYPE	ASSEMBLY PART DESCRIPTION	IG1	IG2

THIS DRAWING IS A CONTROLLED DOCUMENT.		DWN	DAVID LI	25JUN2015	 TE Connectivity	
DIMENSIONS: mm		CHK	CHRIS WANG	25JUN2015		
TOLERANCES UNLESS OTHERWISE SPECIFIED:		APVD	XU XIANG	25JUN2015		
0 PLC ±- 1 PLC ±- 2 PLC ±- 3 PLC ±- 4 PLC ±- ANGLES ±-		PRODUCT SPEC	108-137013			
MATERIAL TBD		APPLICATION SPEC	114-137013		NAME	HI0B-SGR-PG/M
FINISH -		WEIGHT	-		SIZE	A3
-		CUSTOMER DRAWING	-		CAGE CODE	-
		SCALE	7:10		DRAWING NO	©-TI44010XXXX000
		SHEET	2 OF 2		RESTRICTED TO	
		REV	B			

1470-19 (3/13)

Downloaded From [Onevac.com](http://Onevac.com)

单击下面可查看定价，库存，交付和生命周期等信息

[>>TE Connectivity\(泰科\)](#)