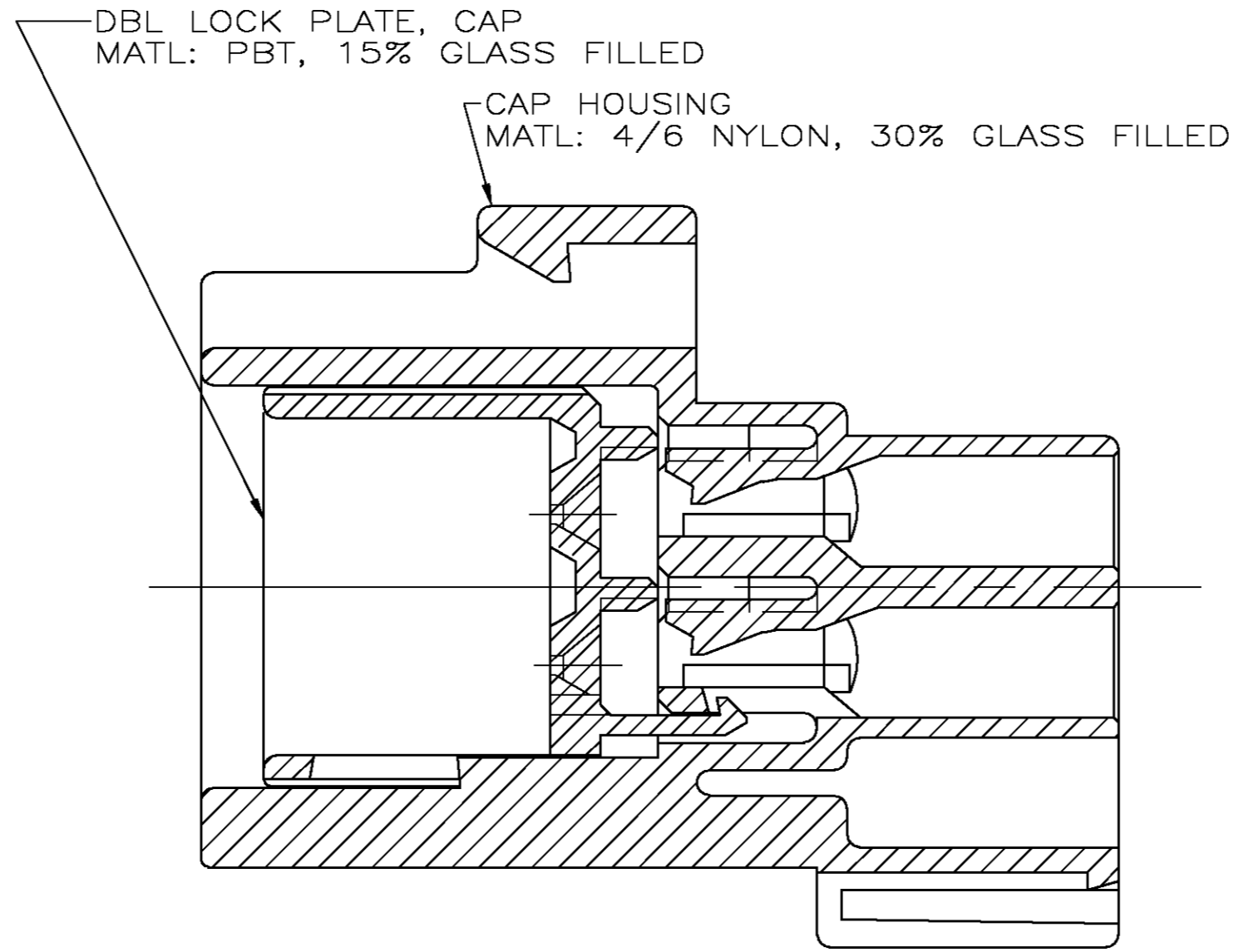
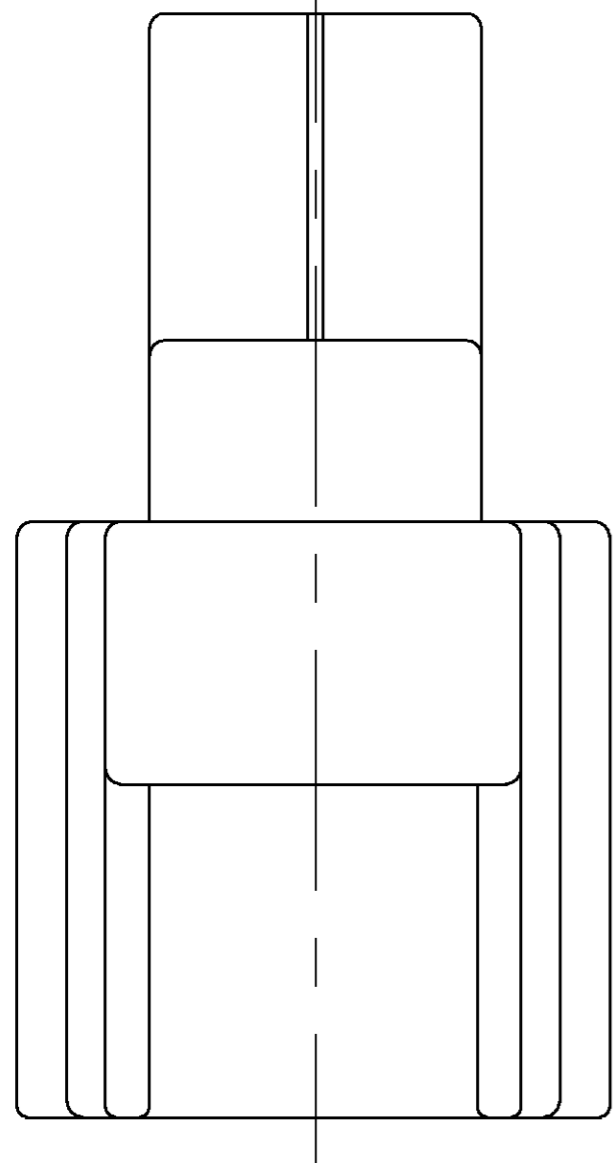
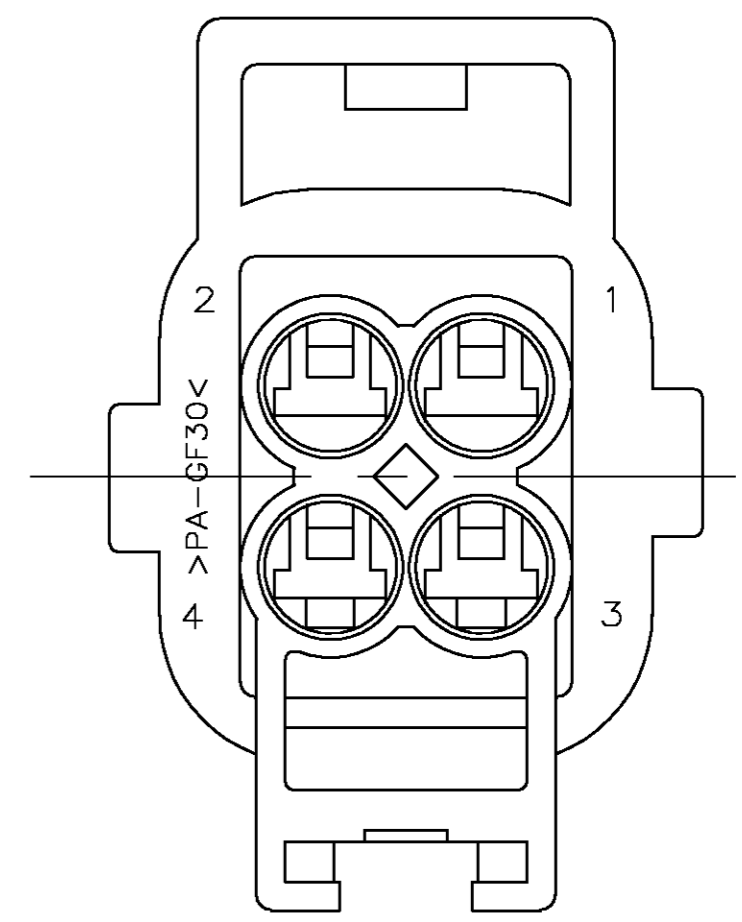
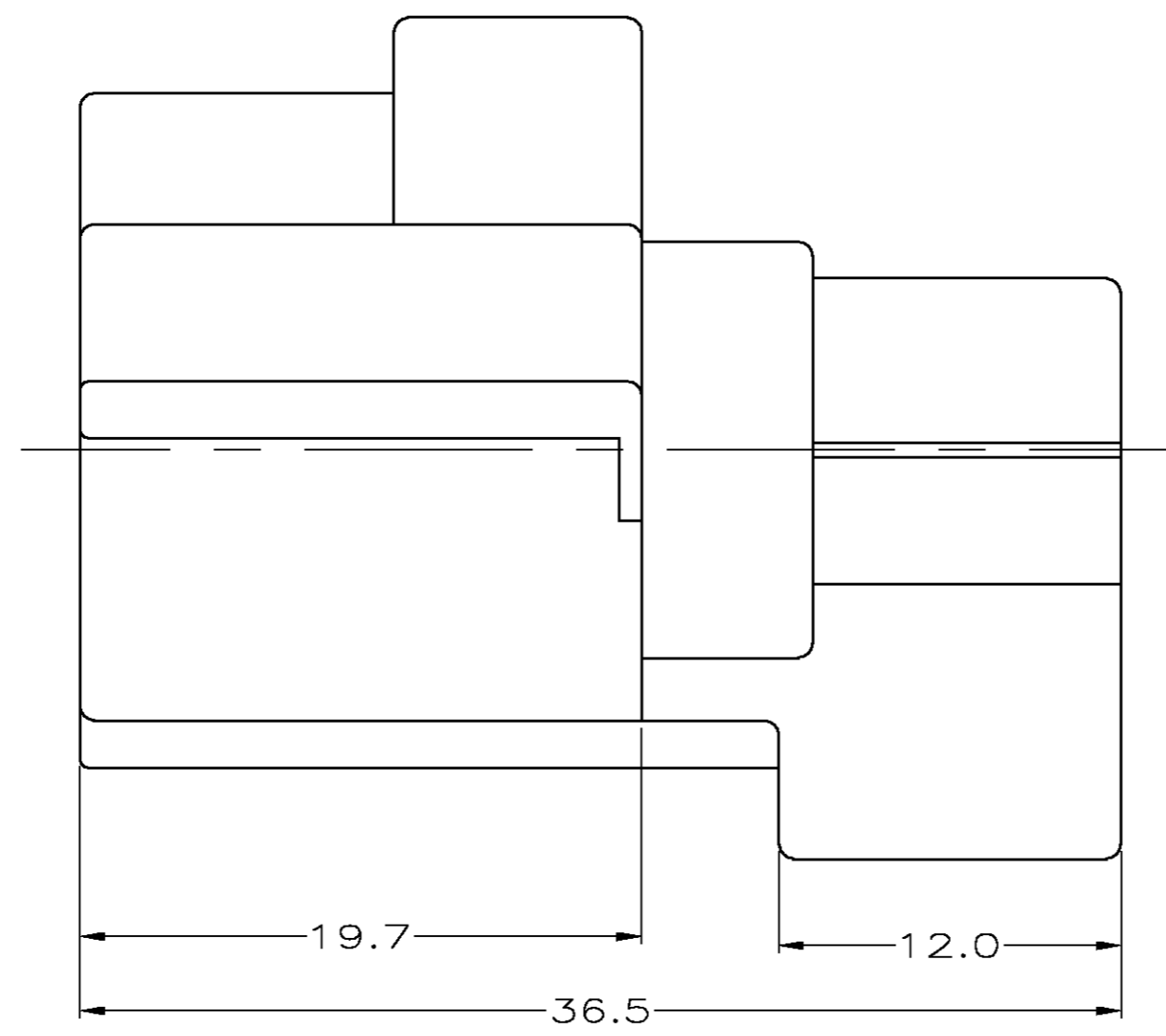
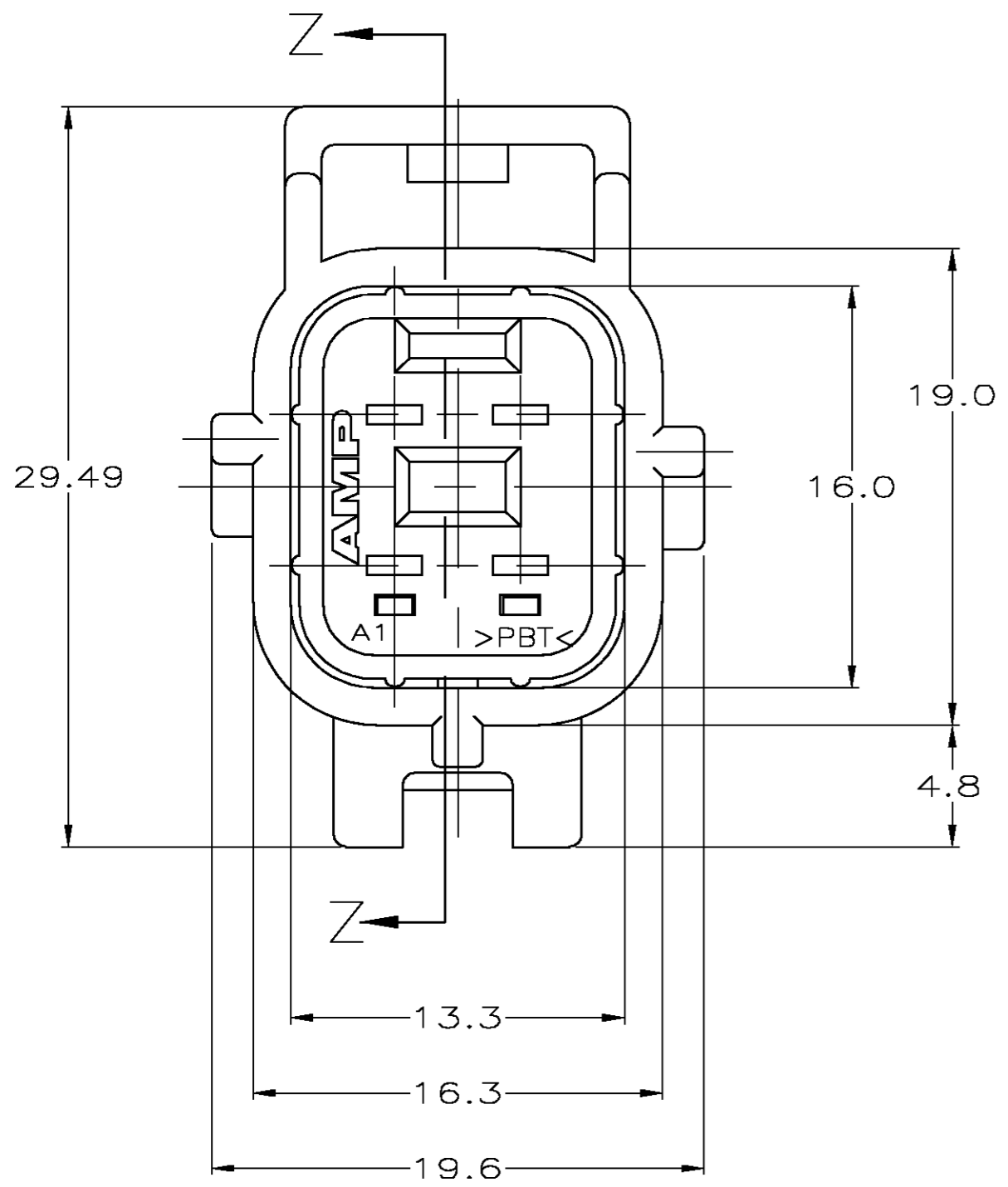


THIS DRAWING IS UNPUBLISHED. RELEASED FOR PUBLICATION  
 © COPYRIGHT BY TYCO ELECTRONICS CORPORATION. ALL RIGHTS RESERVED.

LOC	DIST	REVISIONS					
GE	00	P	LTR	DESCRIPTION	DATE	DWN	APVD
		D		EC 0K40-0014-03	03FEB03	JRB	KLC



SECTION Z-Z  
SCALE 4:1



BLACK	184246-1
CAP COLOR	PART NUMBER

THIS DRAWING IS A CONTROLLED DOCUMENT.		DWN	K LYTLE	04/18/96	Tyco Electronics Corporation Harrisburg, PA 17105-3608
DIMENSIONS: MM		CHK	CT HYRB	04/26/96	
TOLERANCES UNLESS OTHERWISE SPECIFIED:		APVD	CT HYRB	04/26/96	NAME
0 PLC	± -	PRODUCT SPEC		2 x 2 CAP ASY, KEY A-C4	
1 PLC	± 0.3	APPLICATION SPEC		SIZE	A2
2 PLC	± 0.30	WEIGHT		CAGE CODE	00779
3 PLC	± -	CUSTOMER DRAWING		DRAWING NO	C=184246
4 PLC	± -	SCALE		4:1	SHEET
ANGLES	± -	RESTRICTED TO		1	OF
FINISH	-	REV		D	

184246-1

单击下面可查看定价，库存，交付和生命周期等信息

[>>TE Connectivity\(泰科\)](#)