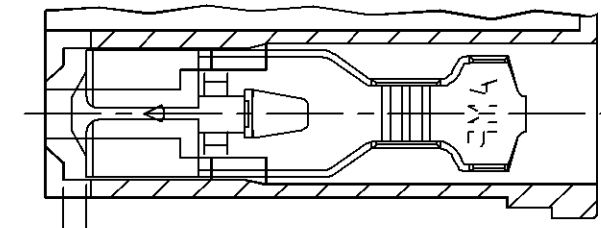


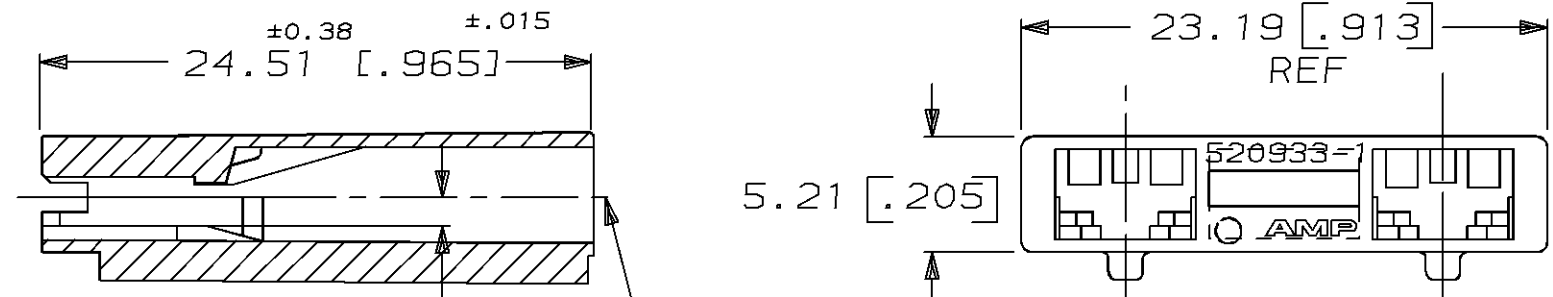
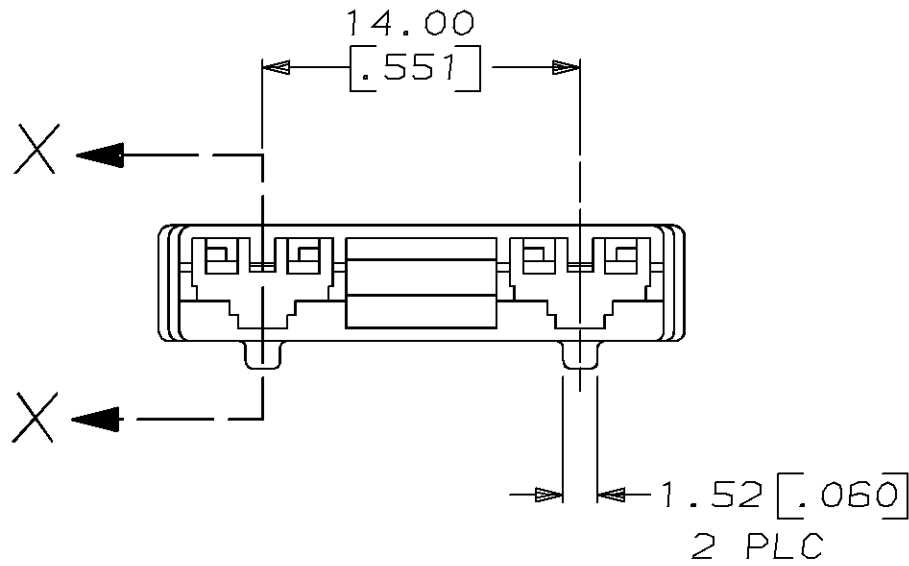
THIS DRAWING IS UNPUBLISHED. RELEASED FOR PUBLICATION, 19
 © COPYRIGHT 19 BY AMP INCORPORATED. ALL INTERNATIONAL RIGHTS RESERVED.

LOC	DIST	P	F	ZONE	LTR	DESCRIPTION	DATE	APPD
AF	50				B	RELEASED PER 0710-0133-95	4/3/95	JR/JG



ASSEMBLED VIEW

1 DIMENSIONS IN BRACKETS ARE IN INCHES.



SECTION X-X

	NATURAL	ZYTEL 103 HSL	520933-1
	FINISH	MATERIAL	PART NO
DO NOT SCALE PRINT. UNLESS SPECIFIED DIMENSIONS IN MM TOLERANCES ON: 2 PLC DEC ± - 3 PLC DEC ± 0.25 [.010] ANGLES ± -	DR 10/4/89 JR RUTH	AMP AMP INCORPORATED Harrisburg, Pa. 17105	NAME HOUSING, POSITIVE-LOCK .187 SERIES, MARK II
	CHK 10/4/89 MS FEHER		
MATERIAL SEE TABLE	APPD 10/4/89 J GILLESPIE	SIZE B	FSCM NO 00779
FINISH SEE TABLE	APPD 10/4/89 R KUZO	SCALE 3:1	DRAWING NO 520933
	PRODUCT SPEC -	WEIGHT -	SHEET 1 OF 1

METRIC

单击下面可查看定价，库存，交付和生命周期等信息

[>>TE Connectivity\(泰科\)](#)