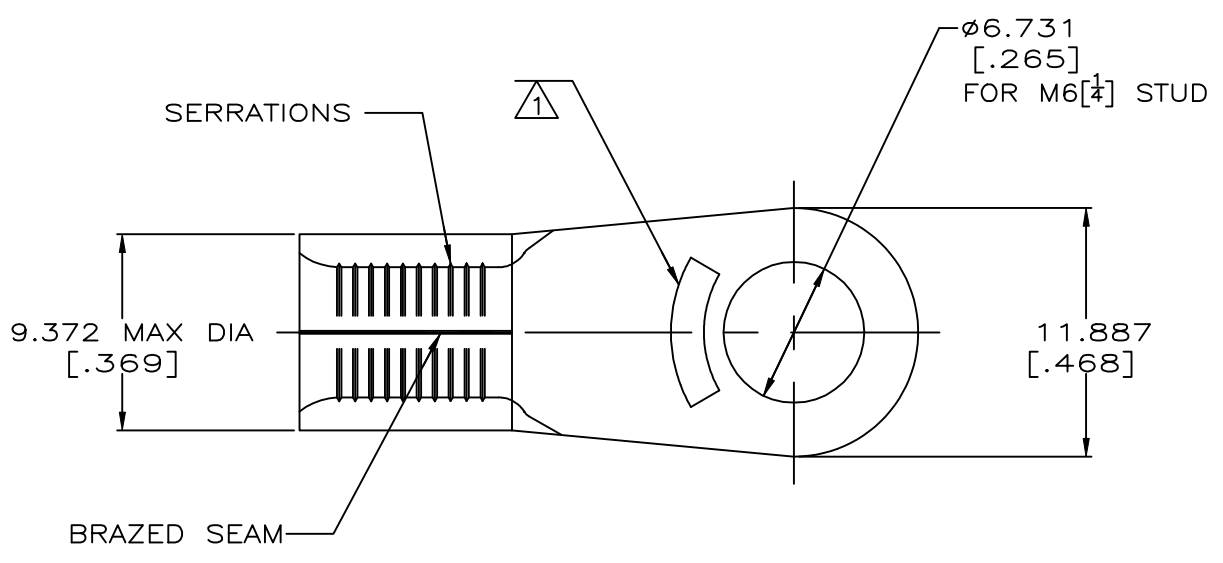
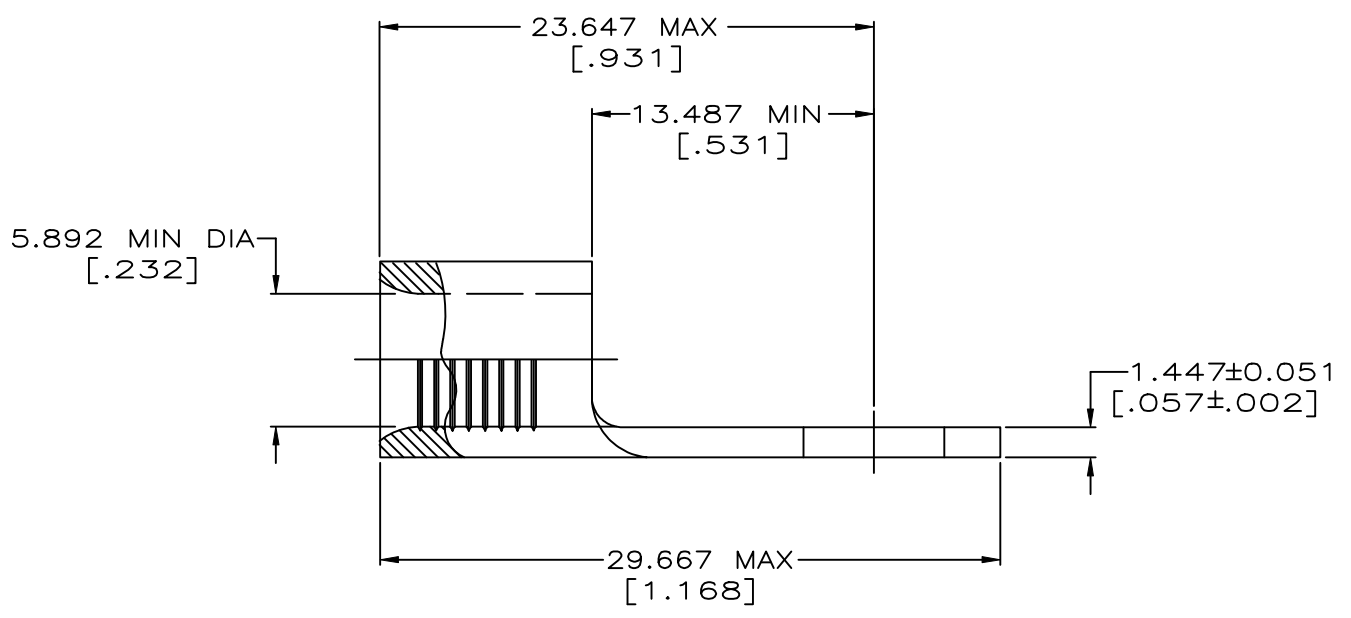


REVISIONS				
P	LTR	DESCRIPTION	DATE	APVD
G4		REVISED PER ECO-11-004587	11MAR11	RK HMR
G5		REVISED PER ECO-17-008806	20FEB2018	RS DR



AMP WIRE RANGE	UL Listed FILE E13288	LR7189 Certified
6 AWG SOLID OR STRANDED	6 AWG STRANDED	6 AWG SOLID OR STRANDED

- ① STAMP AMP 6* APPROX AS SHOWN
- 2 NOTE DELTED.
- ③ COPPER PER ASTM B-152, ANNEALED
- ④ MEETS MS20659-109, CLASS 2
- ⑤ UL 486 A-B OR SAE AS7928



QTY.	PACKAGE TYPE	OPERATING TEMP, MAX	FINISH	PART NO.
1000	LOOSE PIECE	170°C [338°F]	TIN PLATE 0.00254[.000100] MIN THK PER PER ASTM B545	2-321598-4
750	ON TAPE	170°C [338°F]	TIN PLATE 0.00254[.000100] MIN THK PER ASTM B545	④ 2-321598-3
100	LOOSE PIECE	170°C [338°F]	TIN PLATE 0.00254[.000100] MIN THK PER ASTM B545	④ 321598

CUSTOMER SERVICE SYSTEMS FOR ADDITIONAL PRODUCT INFORMATION OR COPIES OF DRAWINGS AND TECHNICAL DOCUMENTS PRODUCT INFORMATION CENTER 1-800-522-6752 FOR APPLICATION TOOLING INFORMATION TOOLING ASSISTANCE CENTER 1-800-722-1111 FOR ORDER ENTRY 1-800-526-5142		RECOMMENDED OPERATING TEMPERATURE: SEE TABLE VOLTAGE RATING: NOT APPLICABLE WIRE CROSS SECTIONAL AREA RANGE: 10.5-16.8mm ² [20,800-33,100] CIR MILS SOLID OR STRANDED		THIS DRAWING IS A CONTROLLED DOCUMENT. DIMENSIONS: MM[INCHES] TOLERANCES UNLESS OTHERWISE SPECIFIED: 0 PLC ± - 1 PLC ± - 2 PLC ± - 3 PLC ± .127[.005] 4 PLC ± - 5 ANGLE ± - FINISH SEE TABLE		DWN TA BRINKMAN 3-24-93 CHK DA PATTERSON 3-24-93 APVD JL MECKLEY 3-24-93 PRODUCT SPEC APPLICATION SPEC WEIGHT - CUSTOMER DRAWING		STE TE Connectivity Ltd. NAME TERMINAL, RING TONGUE, SOLISTRAND 6 AWG SIZE CAGE CODE DRAWING NO RESTRICTED TO A2 00779 C-321598 - SCALE 4:1 SHEET 1 of 1 REV G5	
		MATERIAL - ③		FINISH SEE TABLE		NAME TERMINAL, RING TONGUE, SOLISTRAND 6 AWG		RESTRICTED TO -	

单击下面可查看定价，库存，交付和生命周期等信息

[>>TE Connectivity\(泰科\)](#)