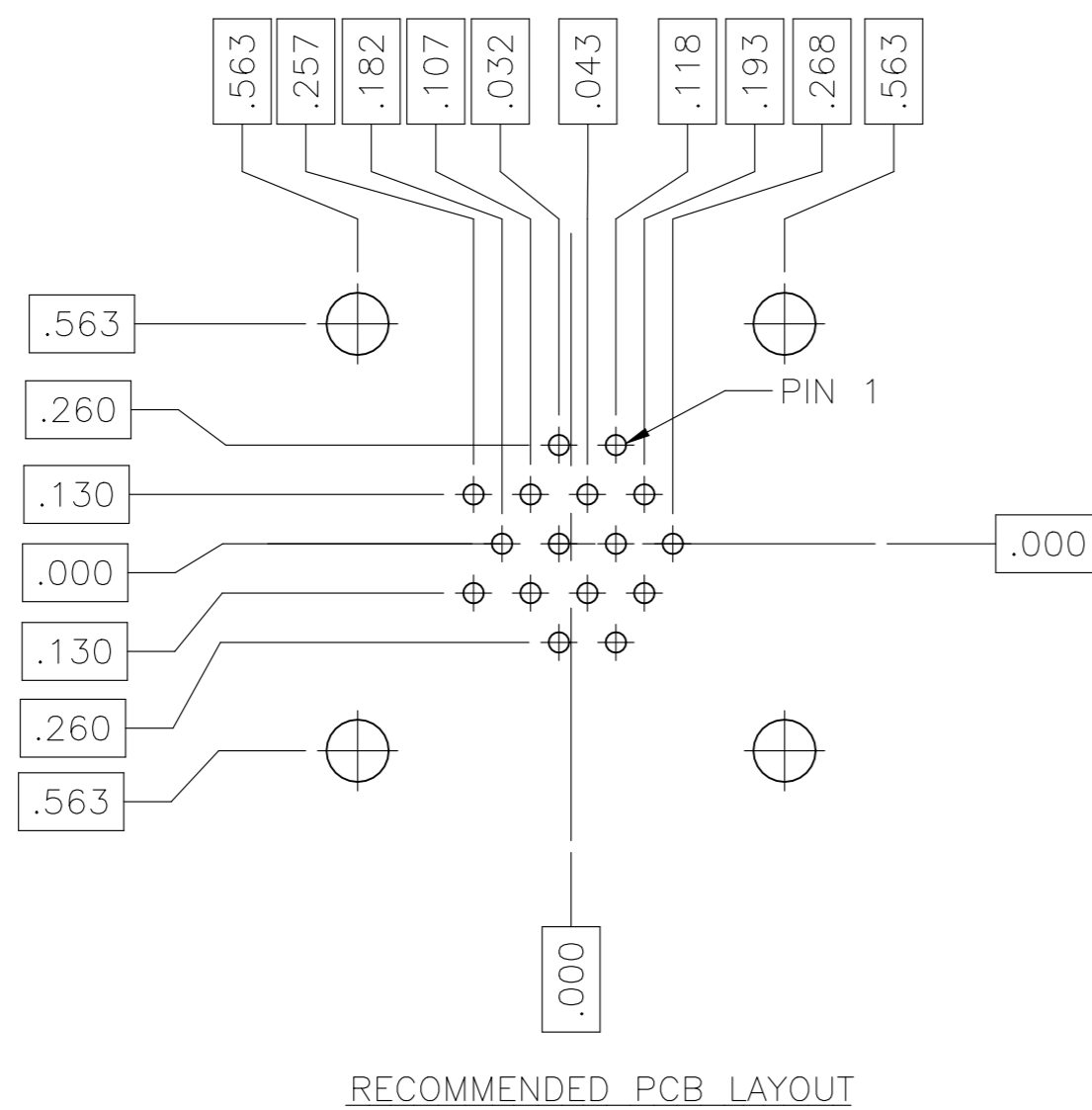
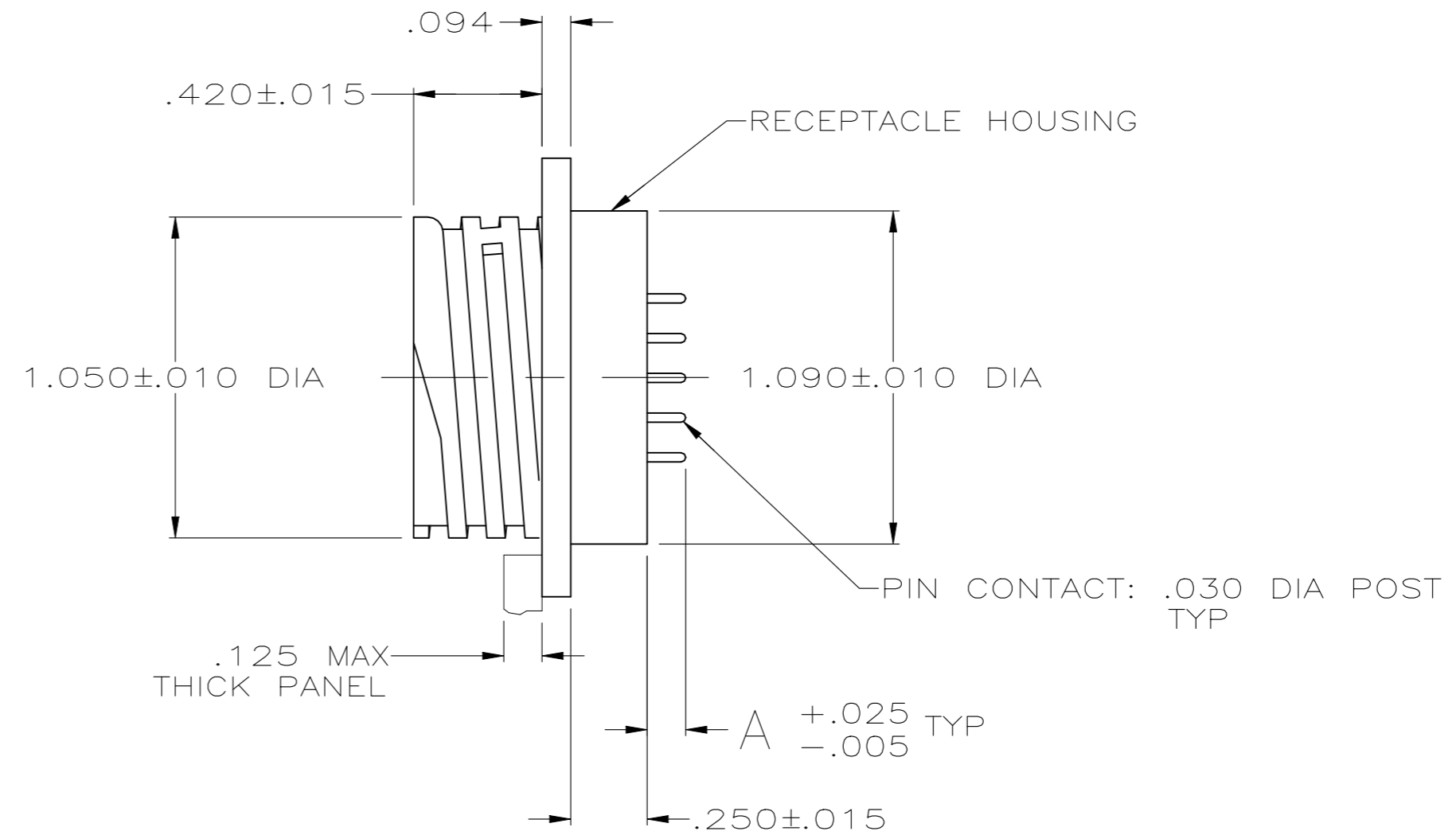
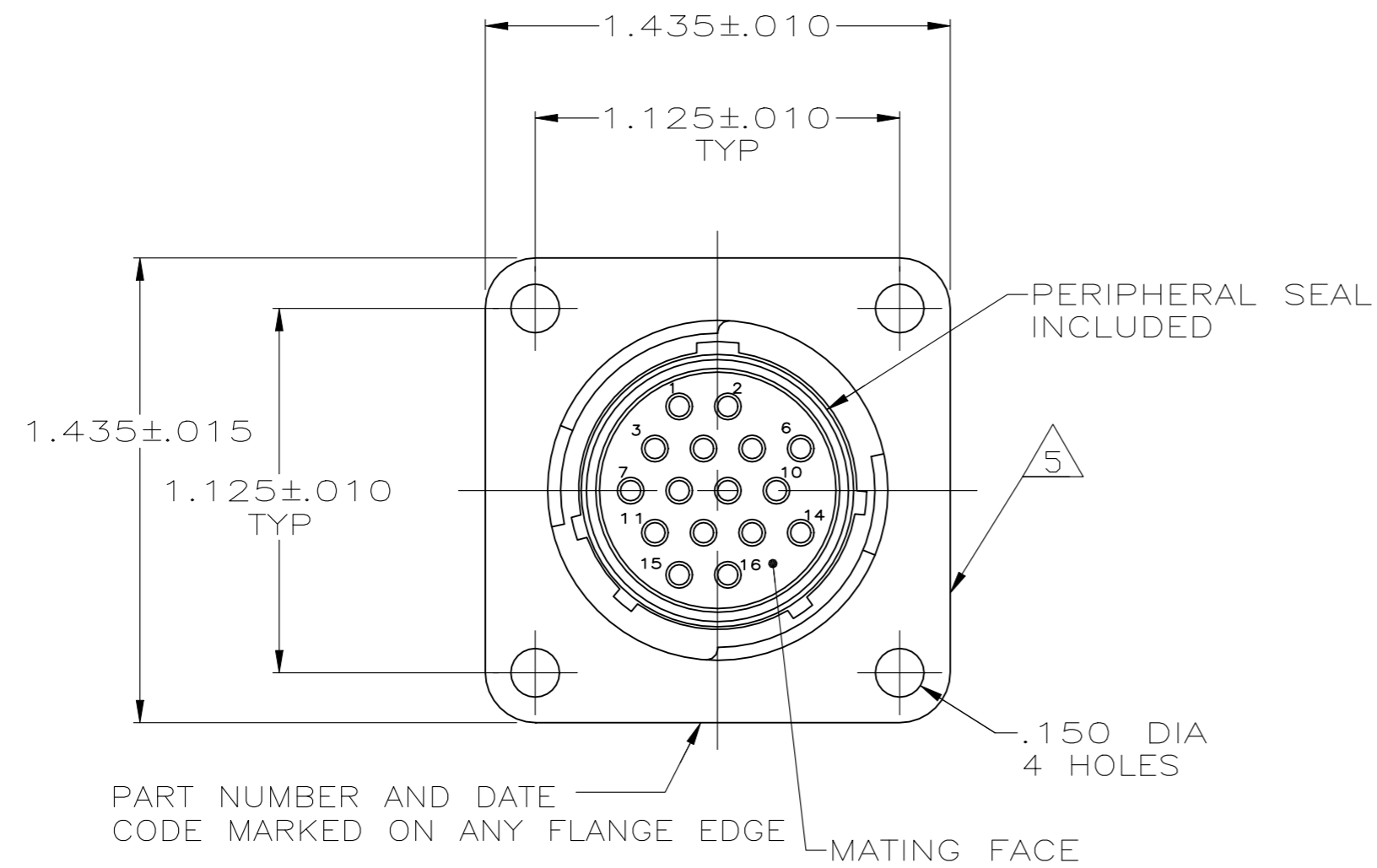


REVISIONS					
P	LTR	DESCRIPTION	DATE	DWN	APVD
K		REVISED PER ECO-21-006948	27OCT2021	RK	MZ



OBSOLETE	.175	4	207292-4
	.175	3	207292-3
	.125	4	207292-2
	.125	3	207292-1
A		FINISH	PART NUMBER

- 1 NYLON, UL 94V-0 RATED, BLACK.
- 2 BRASS.
- 3 .000100 MIN TIN PER MIL-T-10727 OVER NICKEL FLASH PER QQ-N-290.
- 4 .000030 MIN GOLD PER MIL-G-45204 OVER .000030 MIN NICKEL PER QQ-N-290.

5 TE LOGO MARKED ON ANY FLANGE EDGE

THIS DRAWING IS A CONTROLLED DOCUMENT.		DWN J GALLUCCI BG 5-22-91		
DIMENSIONS: INCHES		CHK R.STONE 3-4-92		
TOLERANCES UNLESS OTHERWISE SPECIFIED:		APVD -	NAME -	
0 PLC ± - 1 PLC ± - 2 PLC ± - 3 PLC ± .005 4 PLC ± - ANGLES ± -		PRODUCT SPEC -	POSTED RECEPTACLE ASSEMBLY, STD SEX, SERIES 1, 17-16, CPC	
MATERIAL RECEPT HOUSING: 1 PIN CONTACT: 2		FINISH PIN CONTACT: SEE TABLE	APPLICATION SPEC -	RESTRICTED TO -
WEIGHT -		SIZE A2	CAGE CODE 00779	DRAWING NO C=207292
CUSTOMER DRAWING		SCALE 2:1	SHEET 1 of 1	REV K

单击下面可查看定价，库存，交付和生命周期等信息

[>>TE Connectivity\(泰科\)](#)