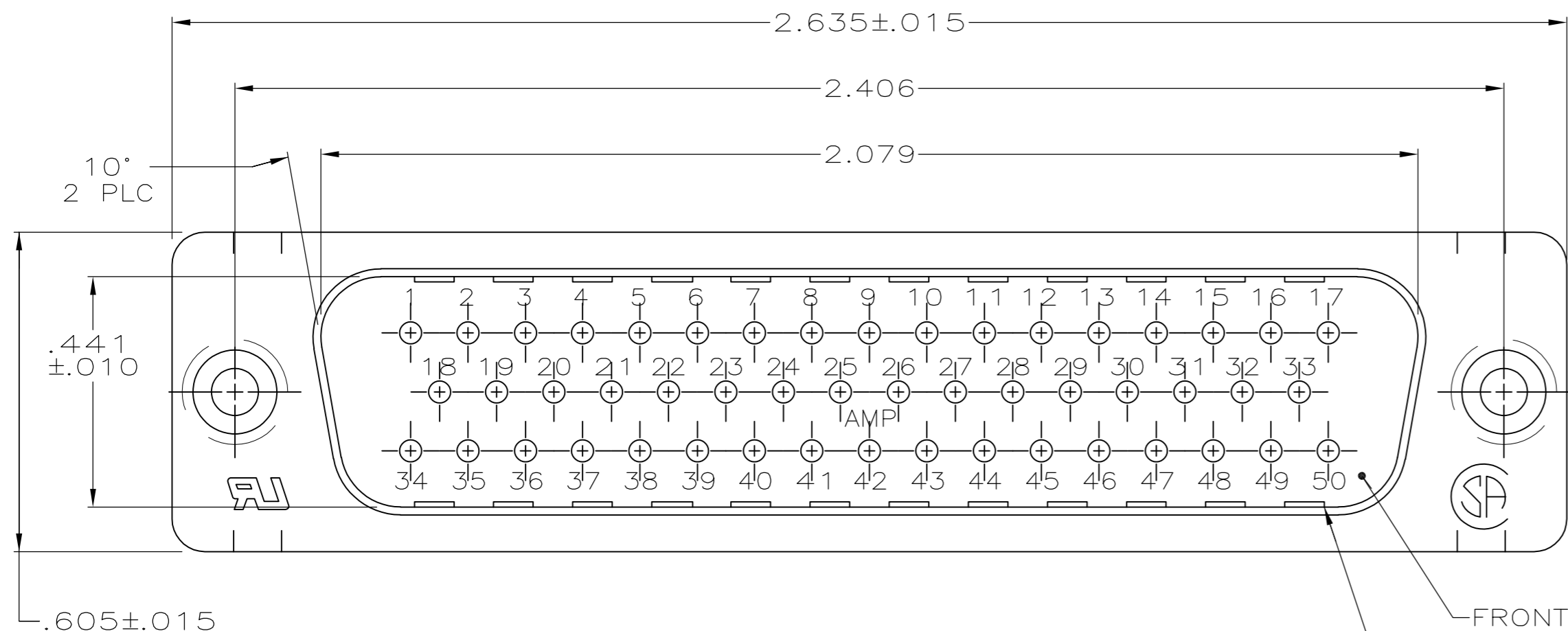
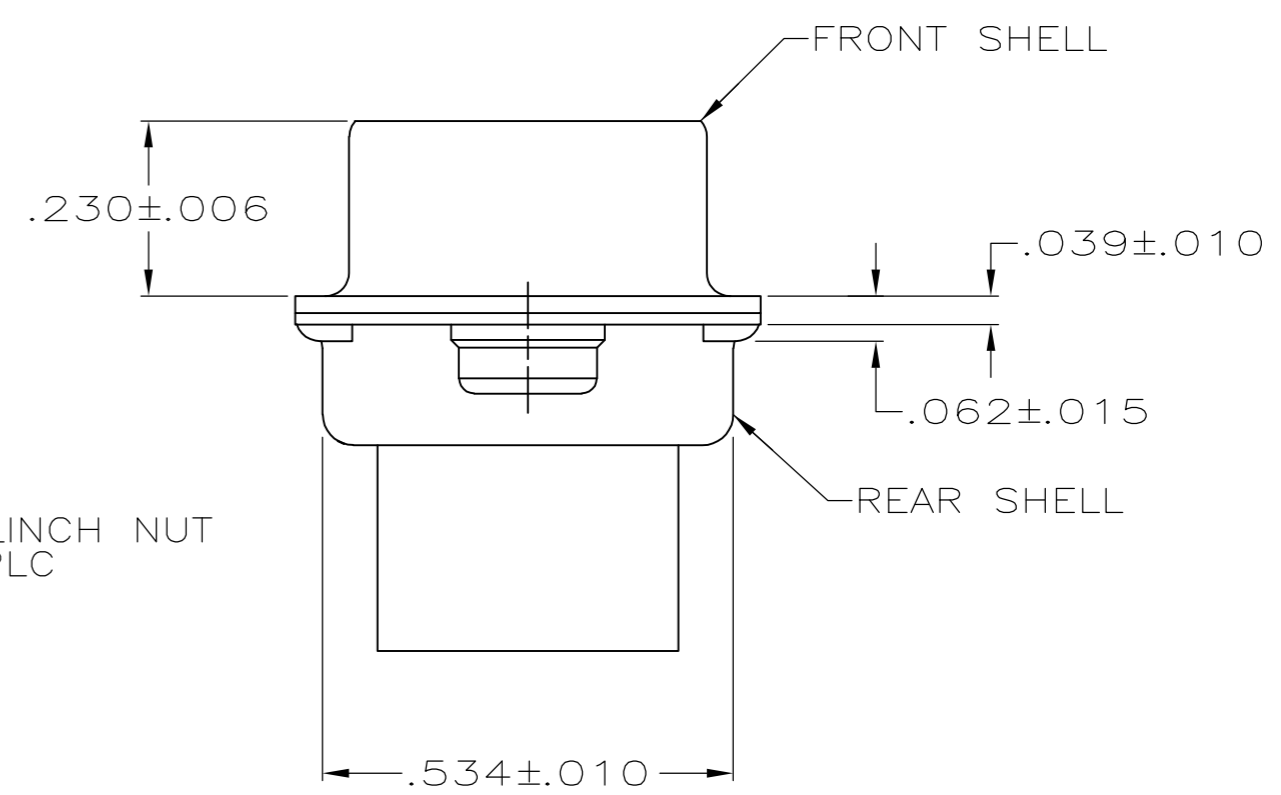
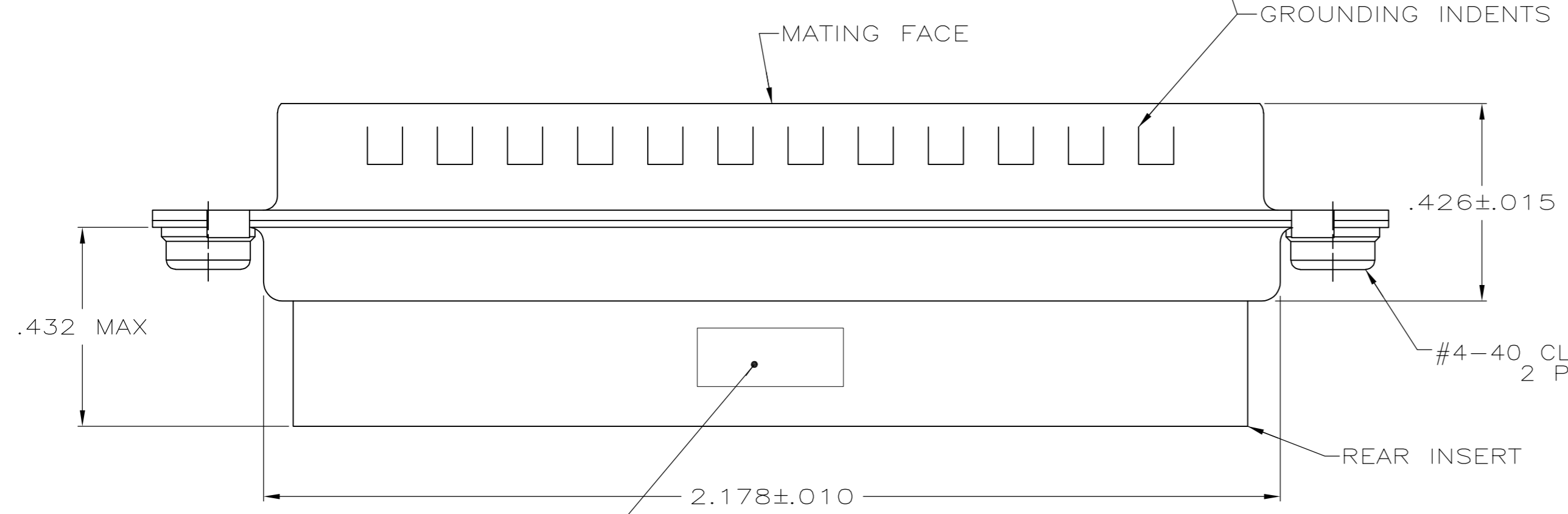


THIS DRAWING IS UNPUBLISHED. RELEASED FOR PUBLICATION  
 © COPYRIGHT - By - ALL RIGHTS RESERVED.

LOC	DIST	REVISIONS					
GP	00	P	LTR	DESCRIPTION	DATE	DWN	APVD
		B		REVISED PER ECO-14-011808	11AUG2014	AP	SB



- 1. CONNECTOR ACCEPTS SIZE 20 DF PIN CONTACTS, RETENTION TINES ARE AN INTEGRAL PART OF INSERT.
- 2. INSERTS: GLASS-FILLED PBT OR GLASS-FILLED NYLON, UL94V-0 RATED. COLOR: BLACK. SHELLS & CLINCH NUTS: CARBON STEEL PER ASTM A109.
- 3. SHELLS: .000200 MIN TIN OVER .000100 MIN COPPER. CLINCH NUTS: CLEAR CHROMATE OVER ZINC.



MANUFACTURERS LOGO, PART NO & DATE CODE, MARKED IN AREA INDICATED, ON FAR SIDE

5745883-2  
PART NO

THIS DRAWING IS A CONTROLLED DOCUMENT.		DWN 11-10-04 G. ATTADIA - DOCK5	TE Connectivity		
DIMENSIONS: INCHES		CHK 11-10-04 J. GERACE			
TOLERANCES UNLESS OTHERWISE SPECIFIED:		APVD 11-10-04 M. WALMSLEY	NAME PLUG CONNECTOR, SIZE 5, 50 POSN, WITH CLINCH NUTS, AMPLIMITE HDP-20		
0 PLC ± -		PRODUCT SPEC 108-40005	SIZE A2	CAGE CODE 00779	DRAWING NO 5745883
1 PLC ± -		APPLICATION SPEC 114-40030	RESTRICTED TO -		
2 PLC ± -		WEIGHT -	SCALE 4:1		
3 PLC ± .005		CUSTOMER DRAWING	SHEET 1 of 1		
4 PLC ± -			REV B		
ANGLES ± 2°					
FINISH					

单击下面可查看定价，库存，交付和生命周期等信息

[>>TE Connectivity\(泰科\)](#)