

# FSMRAJ Series *Micro Miniature Pushbuttons with Tactile Feel "Right Angle"*

## MATERIAL SPECIFICATIONS:

Contacts .....Copper alloy, silver plate  
 Case.....Polyamide  
 Actuator Button .....Polyacetal Resin  
 Frame .....Copper alloy, tin plate  
 Terminals .....Copper alloy, silver plate

## TYPICAL PERFORMANCE CHARACTERISTICS:

Contact Rating .....50 mA @ 12 VDC  
 Initial Contact Resistance.....100 Milliohms max.  
 Insulation Resistance .....100 Megohms min. @ 100 VDC  
 Dielectric Strength .....250 VAC  
 Actuation Force .....See Below  
 Actuator Travel ......012" (0,3)  
 Life Expectancy .....100,000 Cycles

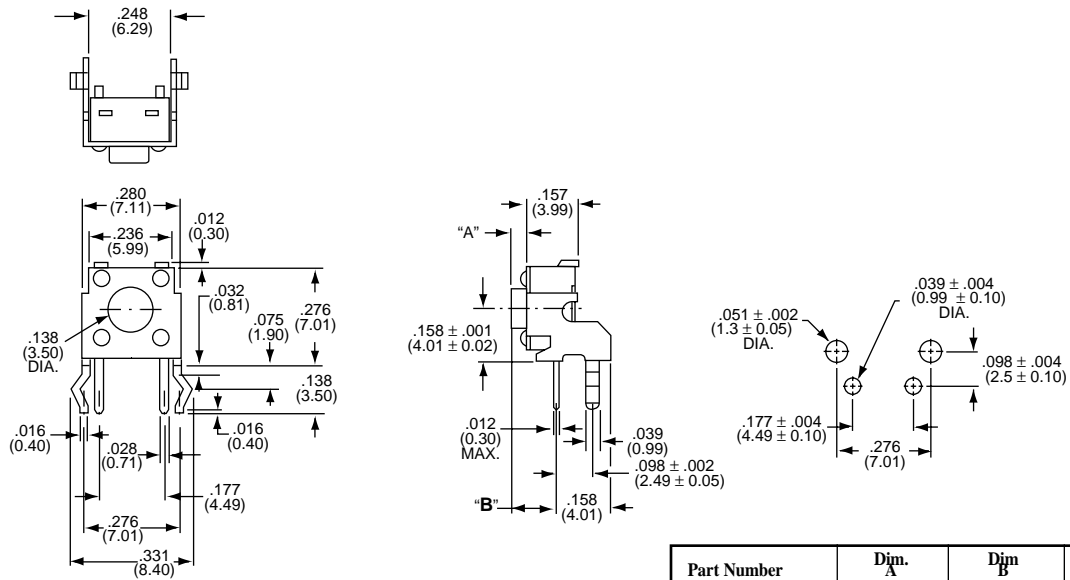
## ENVIRONMENTAL SPECIFICATIONS

Operating Temperature.....-4°F to +158°F (-20°C to +70°C)  
 Storage Temperature.....-22°F to +176°F (-30°C to +80°C)  
 Solder Heat Resistance.....See Page M6

**D**



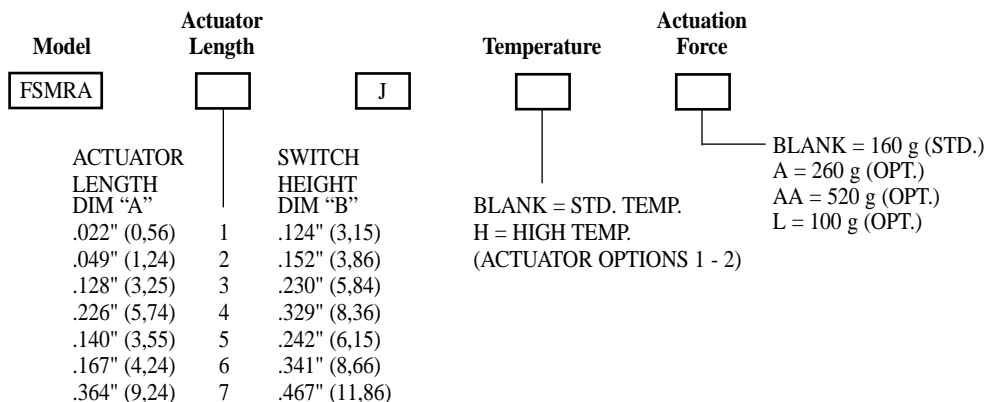
FSMRAIJ



| Type | Off                                | (On) |
|------|------------------------------------|------|
| SPST |                                    |      |
|      | (On) indicates momentary position. |      |

| Part Number | Dim. A       | Dim B         | Button Color |
|-------------|--------------|---------------|--------------|
| FSMRA 1J    | .022" (0,55) | .124" (3,15)  | Black        |
| FSMRA 2J    | .049" (1,25) | .152" (3,86)  | Black        |
| FSMRA 3J    | .128" (3,25) | .230" (5,84)  | Blue         |
| FSMRA 4J    | .226" (5,74) | .329" (8,36)  | Black        |
| FSMRA 5J    | .140" (3,55) | .242" (6,15)  | Ivory        |
| FSMRA 6J    | .167" (4,25) | .341" (8,66)  | White        |
| FSMRA 7J    | .364" (9,25) | .467" (11,86) | Black        |

## PART NUMBERING SEQUENCE



CONSULT FACTORY FOR OTHER OPTIONS

**Thomas & Betts**

Quality & Innovation From **AUGAT** Name Brand Products



Downloaded From [Oneyac.com](http://Oneyac.com)

Thomas & Betts  
 8155 T&B Blvd.  
 Memphis, TN 38125  
 (901) 252-5000 FAX (901) 252-1380

# Micro Miniature Pushbuttons "Horizontal Gang" FSMRAJ Series

## MATERIAL SPECIFICATIONS:

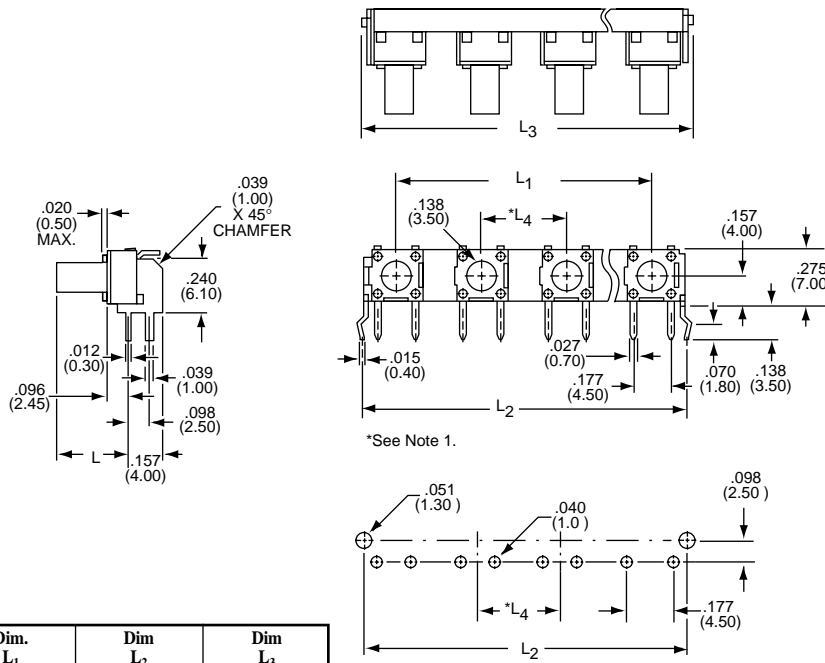
Contacts .....Copper alloy, silver plate  
 Case.....Polyamide  
 Actuator Button .....Polyacetal Resin  
 Frame .....Stainless Steel  
 Terminals .....Copper alloy, silver plate

## TYPICAL PERFORMANCE CHARACTERISTICS:

Contact Rating .....50 mA @ 12 VDC  
 Initial Contact Resistance.....100 Milliohms max.  
 Insulation Resistance .....100 Megohms min. @ 100 VDC  
 Dielectric Strength .....250 VAC  
 Actuation Force .....See Below  
 Actuator Travel ......012" (0,3)  
 Life Expectancy .....100,000 Cycles

## ENVIRONMENTAL SPECIFICATIONS

Operating Temperature.....-4°F to +158°F (-20°C to +70°C)  
 Storage Temperature.....-22°F to +176°F (-30°C to +80°C)  
 Solder Heat Resistance.....See Page M6



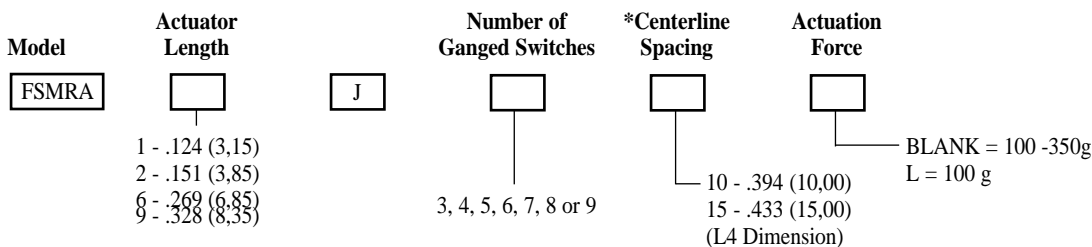
| # of Positions | Dim. L <sub>1</sub> | Dim L <sub>2</sub> | Dim L <sub>3</sub> |
|----------------|---------------------|--------------------|--------------------|
| 3              | .787" (20,00)       | 1.06" (27,00)      | 1.11" (28,19)      |
| 4              | 1.18" (30,00)       | 1.46" (37,00)      | 1.51" (38,35)      |
| 5              | 1.57" (40,00)       | 1.85" (47,00)      | 1.90" (48,26)      |
| 6              | 1.97" (50,00)       | 2.24" (57,00)      | 2.30" (58,42)      |
| 7              | 2.36" (60,00)       | 2.64" (67,00)      | 2.69" (68,32)      |
| 9              | 3.15" (80,00)       | 3.43" (87,00)      | 3.48" (88,40)      |

| Type | Off | (On) |
|------|-----|------|
| SPST | Off | (On) |

(On) indicates momentary position.

\*Note 1: L<sub>4</sub> = .394 (10,00) or .590 (15,00) Center line spacing

## PART NUMBERING SEQUENCE



CONSULT FACTORY FOR OTHER OPTIONS

## Need more technical information?

Consult your Thomas & Betts sales office listed on the back cover



Downloaded From [Oneyac.com](http://Oneyac.com)

Thomas & Betts  
 8155 T&B Blvd.  
 Memphis, TN 38125  
 (901) 252-5000 FAX (901) 252-1380

单击下面可查看定价，库存，交付和生命周期等信息

[>>TE Connectivity\(泰科\)](#)