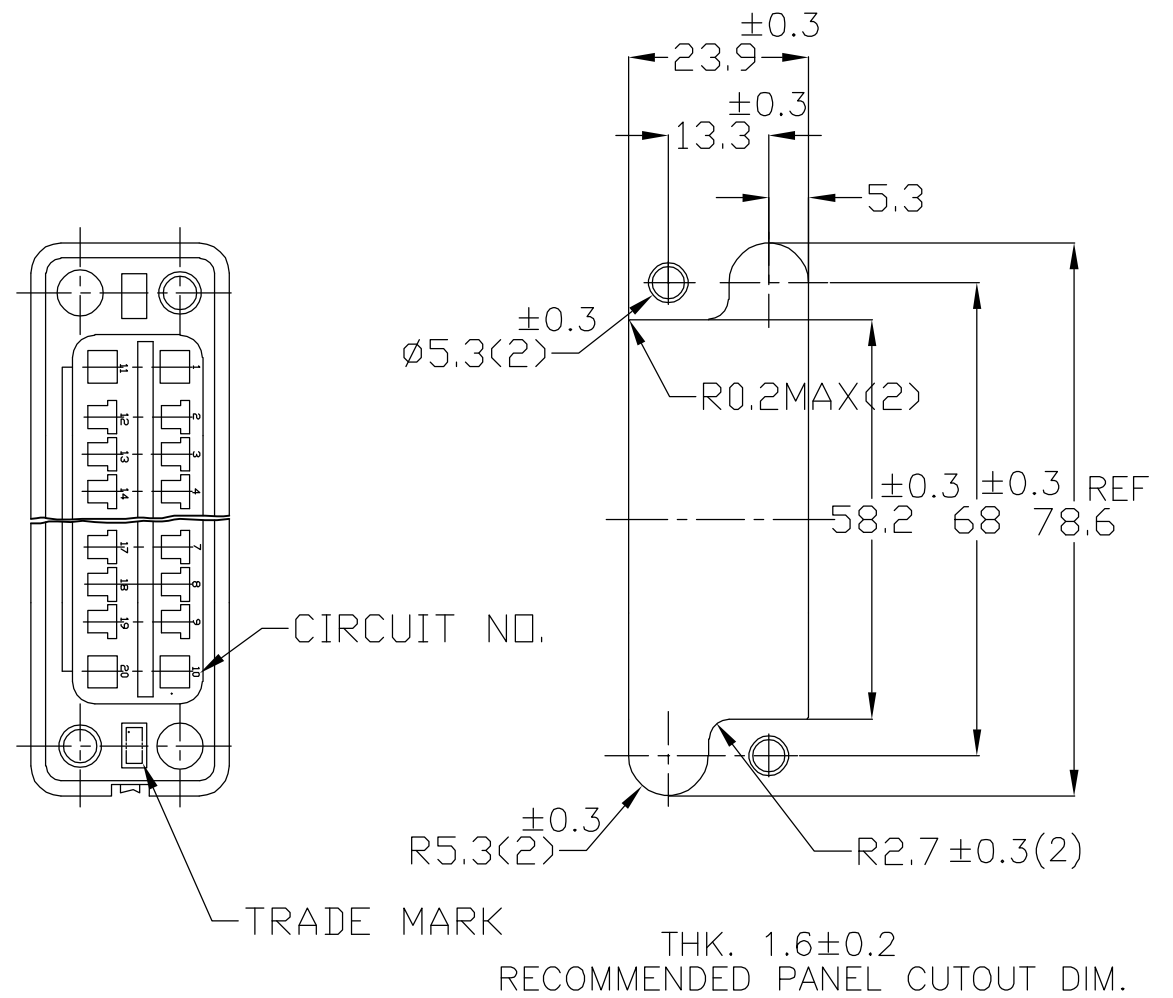
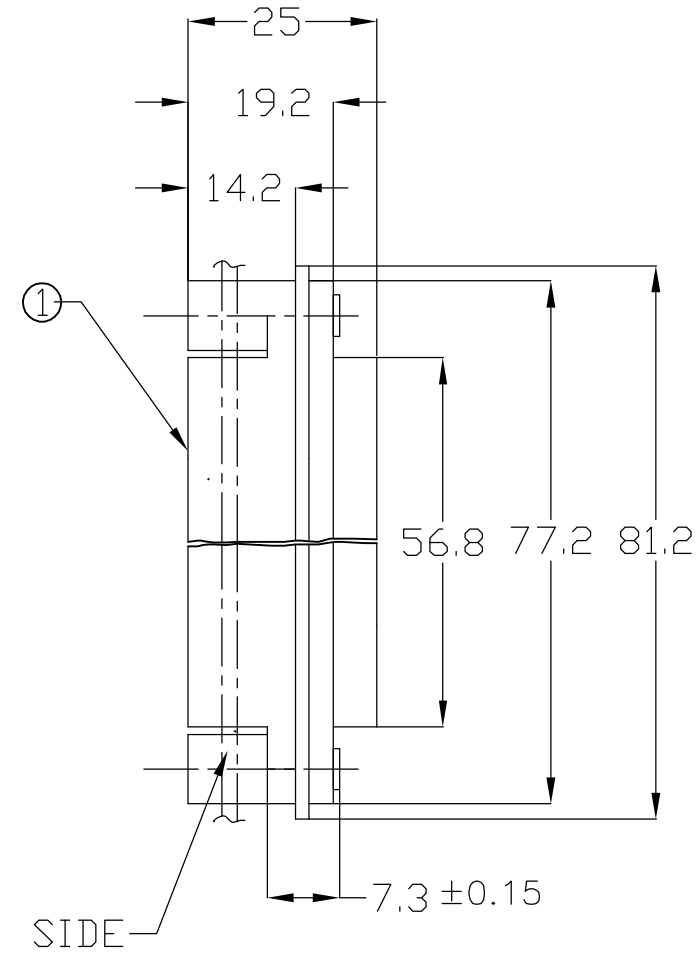
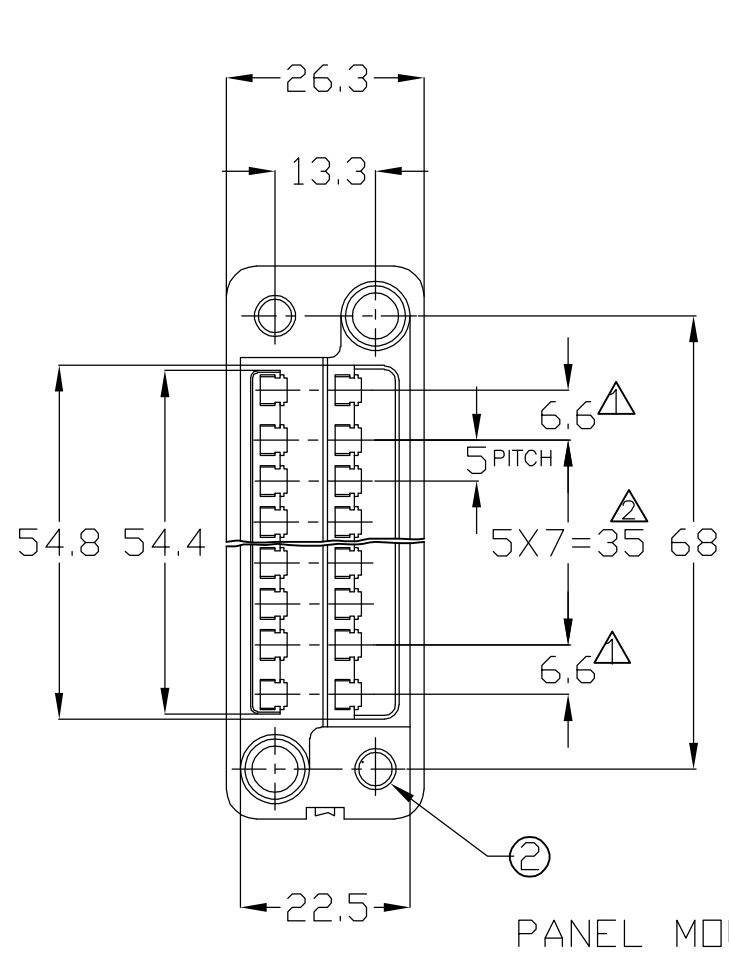


THIS DRAWING IS UNPUBLISHED. RELEASED FOR PUBLICATION  
 © COPYRIGHT BY TYCO ELECTRONICS CORPORATION. ALL RIGHTS RESERVED.

LOC	DIST	REVISIONS					
P	LTR	DESCRIPTION	DATE	DWN	APVD		
J	-	A	RELEASED	ECR-05-009552	21JUL05	C.Z	S.Y



NOTES:  
 ▲ FOR POWER CIRCUITS (4 POS.)  
 ▲ FOR SIGNAL CIRCUITS (16 POS.)  
 3. ACCOMMODATED CONTACTS ARE STRIP P/N 170311, 170312, 170484 L.P P/N 170313, 170314, 170485  
 4. MAIL HSG P/N IS 1703032  
 ▲ MATERIAL:  
 HOUSING: PBT 94V-0  
 BUSH: JIS H3250, C3602 BD-F  
 ▲ FINISH:  
 NICKEL PLATED PER AMP SPEC 112-25.

NUMBER	NAME	REMARKS	ITEM No.
2	1-172065-3	FLOATING BUSH ASS'Y	(4mm) 2
1	173031-3	DRAWER CONN. FEMALE HSG	20 POS. (4mm) 1

THIS DRAWING IS A CONTROLLED DOCUMENT.		DWN C.ZHU 21JUL05	Tyco Electronics AMP K.K. Kawasaki, Japan	
DIMENSIONS: mm		CHK I.WANG 21JUL05		
TOLERANCES UNLESS OTHERWISE SPECIFIED:		APVD S.YAO 21JUL05	NAME 20POS FEMALE HSG ASS'Y DRAWER CONNECTOR	
0 PLC ± 0.4 1 PLC ± 0.4 2 PLC ± 0.4 3 PLC ± 0.4 4 PLC ± 0.4 ANGLES ± -		PRODUCT SPEC -	SIZE A3	
MATERIAL		APPLICATION SPEC -	CAGE CODE 00779	DRAWING NO C-5173033
FINISH		WEIGHT -	RESTRICTED TO -	
CUSTOMER DRAWING			SCALE 1:1	SHEET 1 OF 1
			REV A	

单击下面可查看定价，库存，交付和生命周期等信息

[>>TE Connectivity\(泰科\)](#)