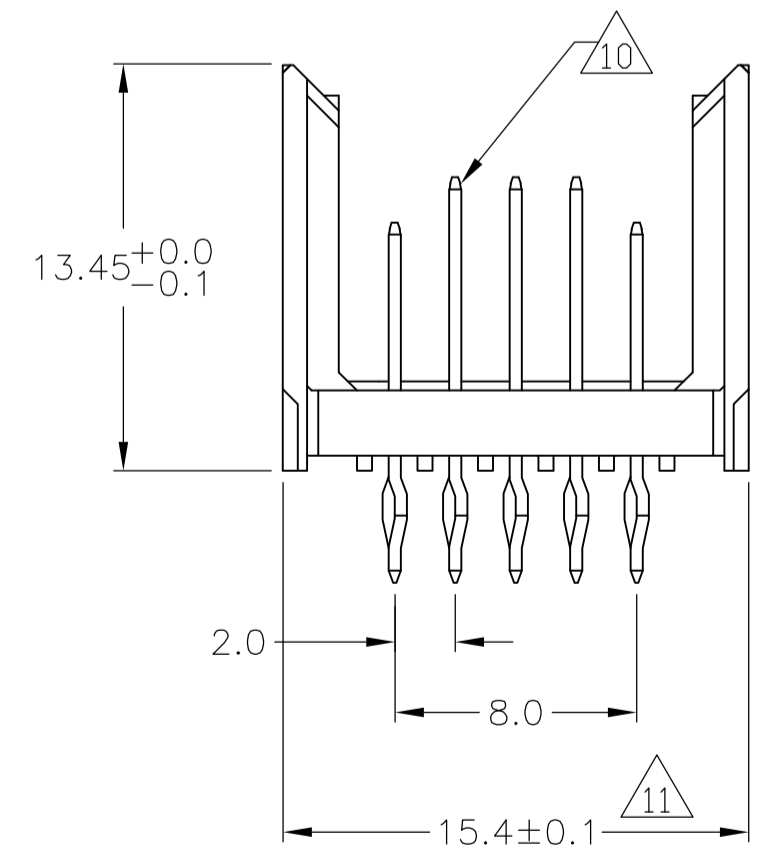
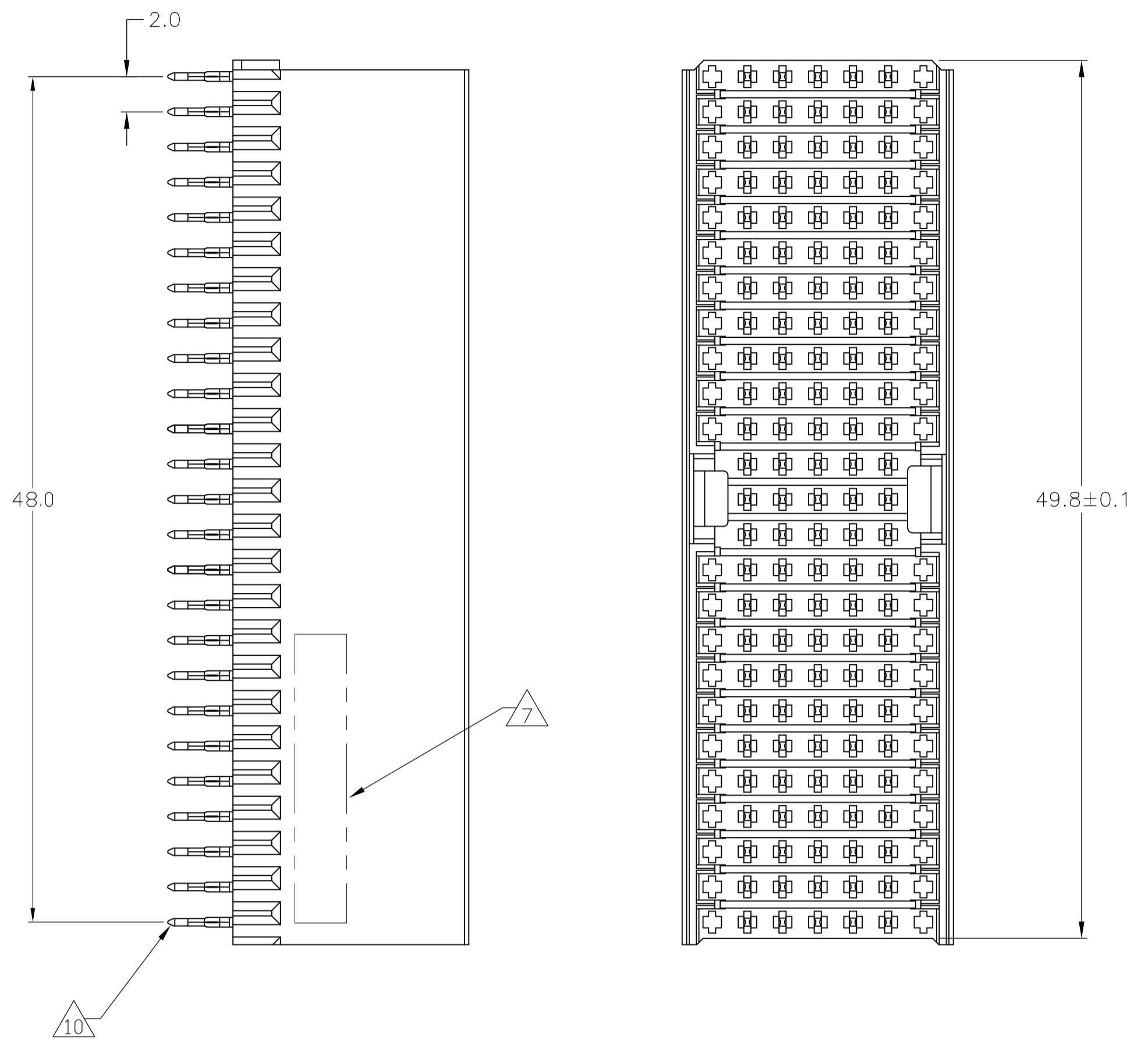


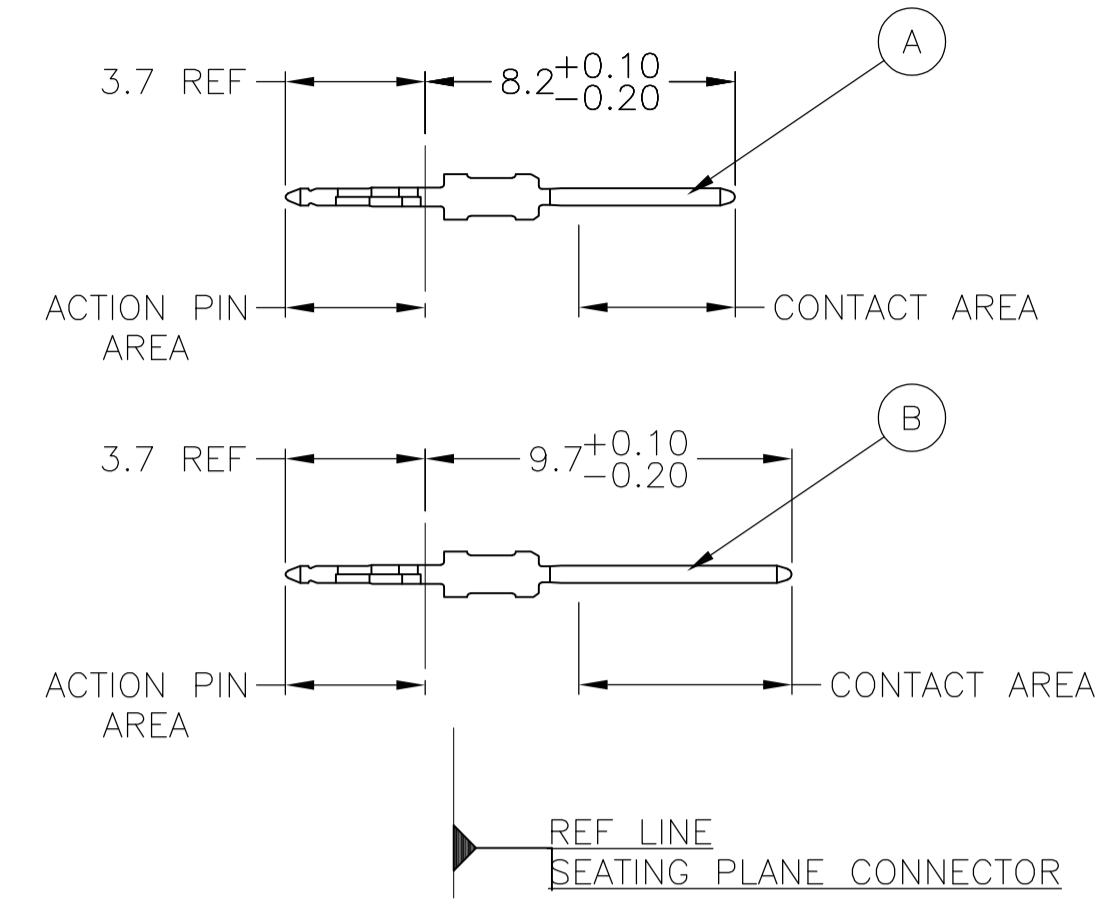
LOC	DIST	REVISIONS			
AD	00	REV	DESCRIPTION	DATE	BY
		A	REVISED PER ECO-07-030229	08JAN08	DH JE
		B	ECR-10-019054	15SEP10	DP MQW

CONNECTOR ASSEMBLY EXAMPLARY LOADED



CONTACT DIMENSIONS

SCALE 5:1

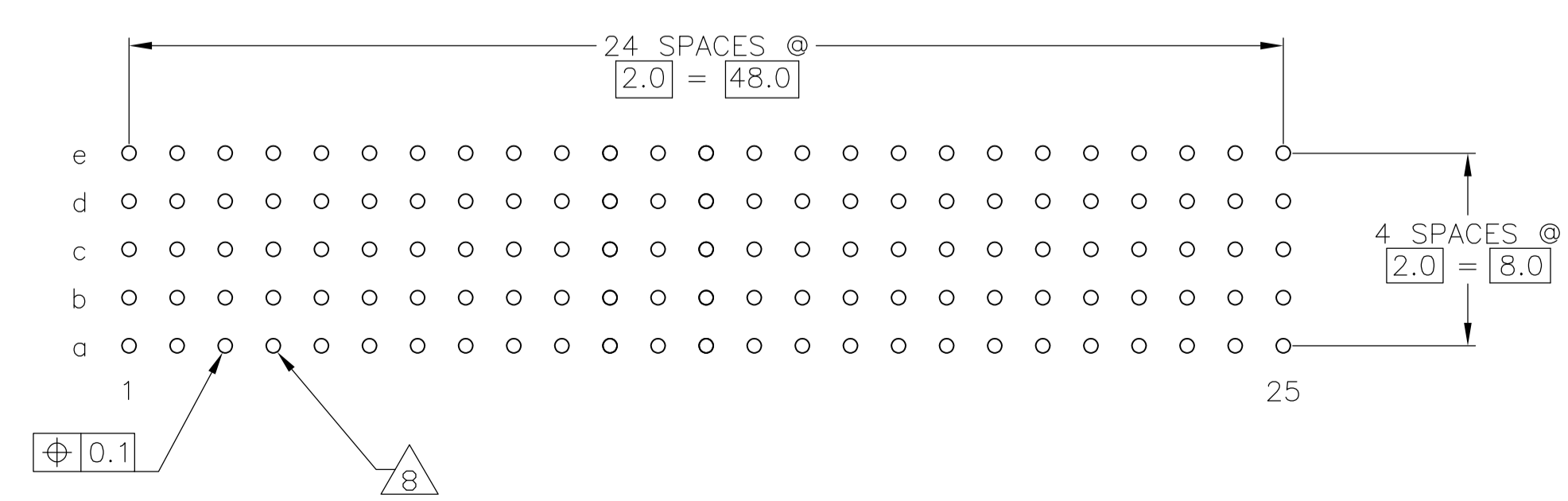


CONTACT LAYOUT

	z	a	b	c	d	e	f
1		A	B	B	B	A	
2		A	B	B	B	A	
3		A	B	B	B	A	
4		A	B	B	B	A	
5		A	B	B	B	A	
6		A	B	B	B	A	
7		A	B	B	B	A	
8		A	B	B	B	A	
9		A	B	B	B	A	
10		A	B	B	B	A	
11		A	B	B	B	A	
12		A	B	B	B	A	
13		A	B	B	B	A	
14		A	B	B	B	A	
15		A	B	B	B	A	
16		A	B	B	B	A	
17		A	B	B	B	A	
18		A	B	B	B	A	
19		A	B	B	B	A	
20		A	B	B	B	A	
21		A	B	B	B	A	
22		A	B	B	B	A	
23		A	B	B	B	A	
24		A	B	B	B	A	
25		A	B	B	B	A	

RECOMMENDED PCB-HOLE LAYOUT COMPONENT SIDE SHOWN

PLATED THRU HOLES PARAMETERS REFERENCE APPLICATION SPECIFICATION



2 6 12	1-5646990-9
2 5 12	5646990-9
2 4	5646990-4
2 3	5646990-1
FINISH	PART NUMBER

THIS DRAWING IS A CONTROLLED DOCUMENT.

DIMENSIONS: mm	TOLERANCES UNLESS OTHERWISE SPECIFIED: ±0.2	DIN B CARBO 25AUG05	25AUG05	Tyco Electronics Corporation Harrisburg, Pa 17105-3608
0-PLC ±	1-PLC ±	2-PLC ±	3-PLC ±	4-PLC ±
MATERIAL 1	FINISH SEE TABLE	APVD G SKIPPER 25AUG05	NAME	MALE ASSEMBLY, Z-PACK 2mm HM, TYPE A/B
		108-19082	APPLICATION SPEC	114-19029
		SIZE	CAGE CODE	DRAWING NO
		WEIGHT	A1 00779	5646990
		CUSTOMER DRAWING	SCALE 4:1	SHEET 1 OF 2

LOC	DIST	REVISIONS					
AD	00	IF	LTR	DESCRIPTION	DATE	DRN	APVO
		-	-	SEE SHEET 1	-	-	-

- 1 MATERIAL:
CONTACT: PHOSPHOR BRONZE.
HOUSING: GLASS-FILLED POLYESTER.
- 2 GENERAL PLATING SPECIFICATION: UNDERPLATING
(ENTIRE CONTACT): 1.27µm MIN NICKEL AND ACTION
PIN: 0.5µm MIN TIN.
FOR PLATING OF MATING SURFACES SEE APPLICABLE
SPECIFICATION REFERENCE FOR EACH DASH NUMBER.
- 3 CONFORMS TO ALL TESTING ACCORDING TO IEC 61076-4-101
PERFORMANCE LEVEL 2.
- 4 CONFORMS TO ALL TESTING ACCORDING TO IEC 61076-4-101
PERFORMANCE LEVEL 1.
- 5 CONNECTOR TESTED AND QUALIFIED AGAINST TELCORDIA GR-1217-CORE QUALITY LEVEL 3,
CENTRAL OFFICE APPLICATIONS.
- 6 CONNECTOR TESTED AND QUALIFIED AGAINST TELCORDIA GR-1217-CORE QUALITY LEVEL 3,
UNCONTROLLED ENVIROMENT APPLICATIONS.
- 7 CONNECTOR MARKED WITH PART NUMBER AND DATE CODE.
ADDITIONAL CHARACTERS OR MARKINGS, AS WELL AS THE LOCATION OF THE MARKINGS,
MAY BE ADDED FOR TRACEABILITY BASED UPON MANUFACTURERS DISCRETION.
- 8 PLATED-THROUGH HOLES AT 2x2mm SQUARE GRID
PATTERN DEFINED BY CONTACT LAYOUT.
- 9 FOR ACTUAL PIN LOADING SEE "CONTACT LAYOUT".
- 10 FOR ACTUAL PIN DIMENSIONS SEE "CONTACT DIMENSIONS".
- 11 TO BE MEASURED AT BOTTOM OF SHROUD.
- 12 CONNECTOR LUBRICATED WITH BELCORE APPROVED LUBRICANT,
TECHNICAL REFERENCE: TR-NWT-001217 ISSUE 1, SEP 1992.

THIS DRAWING IS A CONTROLLED DOCUMENT.		DRN B CARBO 25AUG05	Tyco Electronics Corporation Harrisburg, Pa 17105-3608	
DIMENSIONS: mm		CHK G.SKIPPER 25AUG05	NAME G.SKIPPER 25AUG05	
TOLERANCES UNLESS OTHERWISE SPECIFIED: 0-PLC ± 1-PLC ±.01 2-PLC ± 3-PLC ± 4-PLC ± ANGLES ±		PRODUCT SPEC 108-19082	MALE ASSEMBLY, Z-PACK 2mm HM, TYPE A/B	
MATERIAL SEE SHEET 1		APPLICATION SPEC 114-19029	SIZE A1	CAGE CODE DRAWING NO 00779 5646990
FINISH SEE SHEET 1		WEIGHT -	RESTRICTED TO -	CUSTOMER DRAWING
		SCALE 4:1	SHEET 2 OF 2	REV B

单击下面可查看定价，库存，交付和生命周期等信息

[>>TE Connectivity\(泰科\)](#)