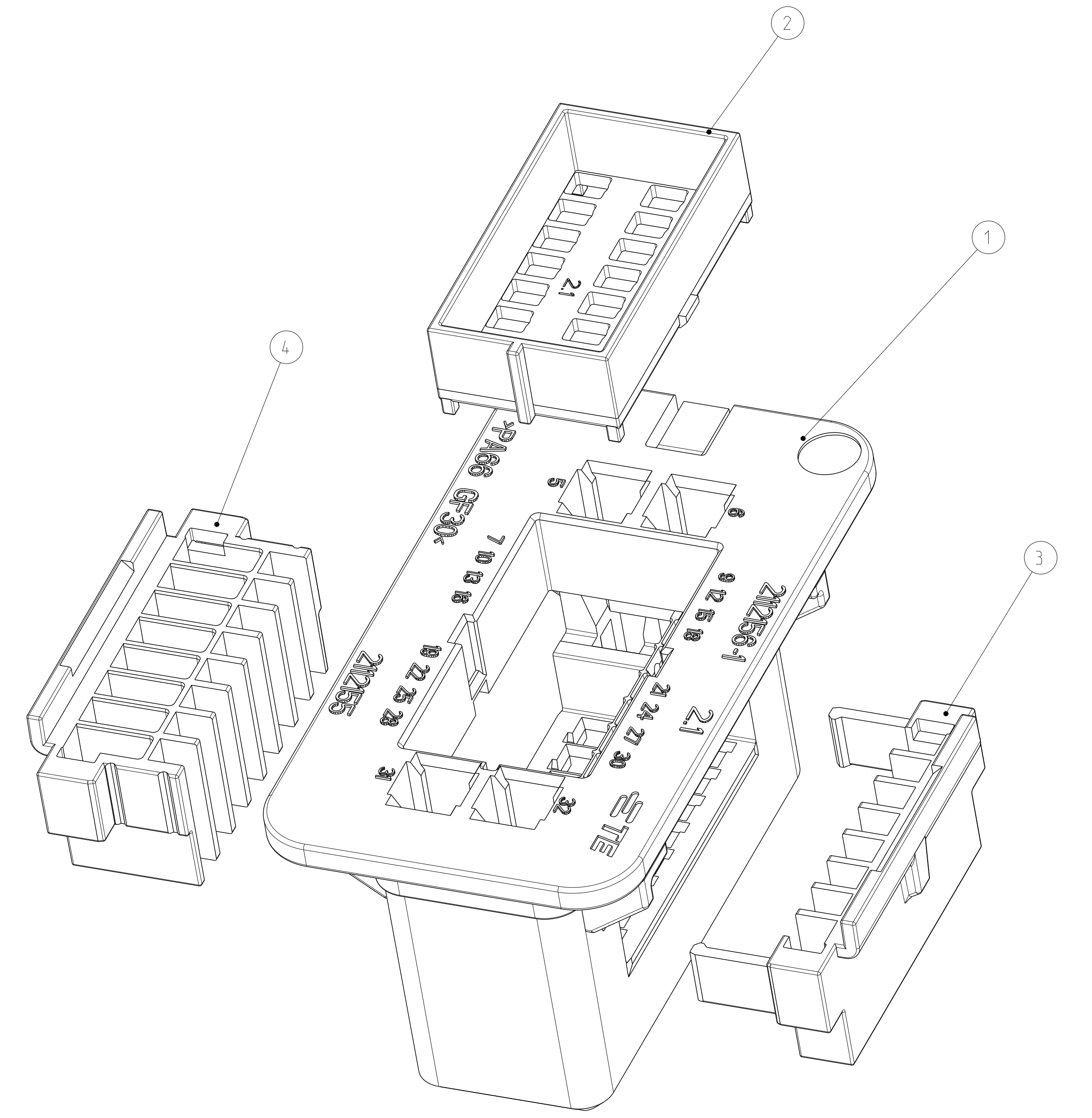
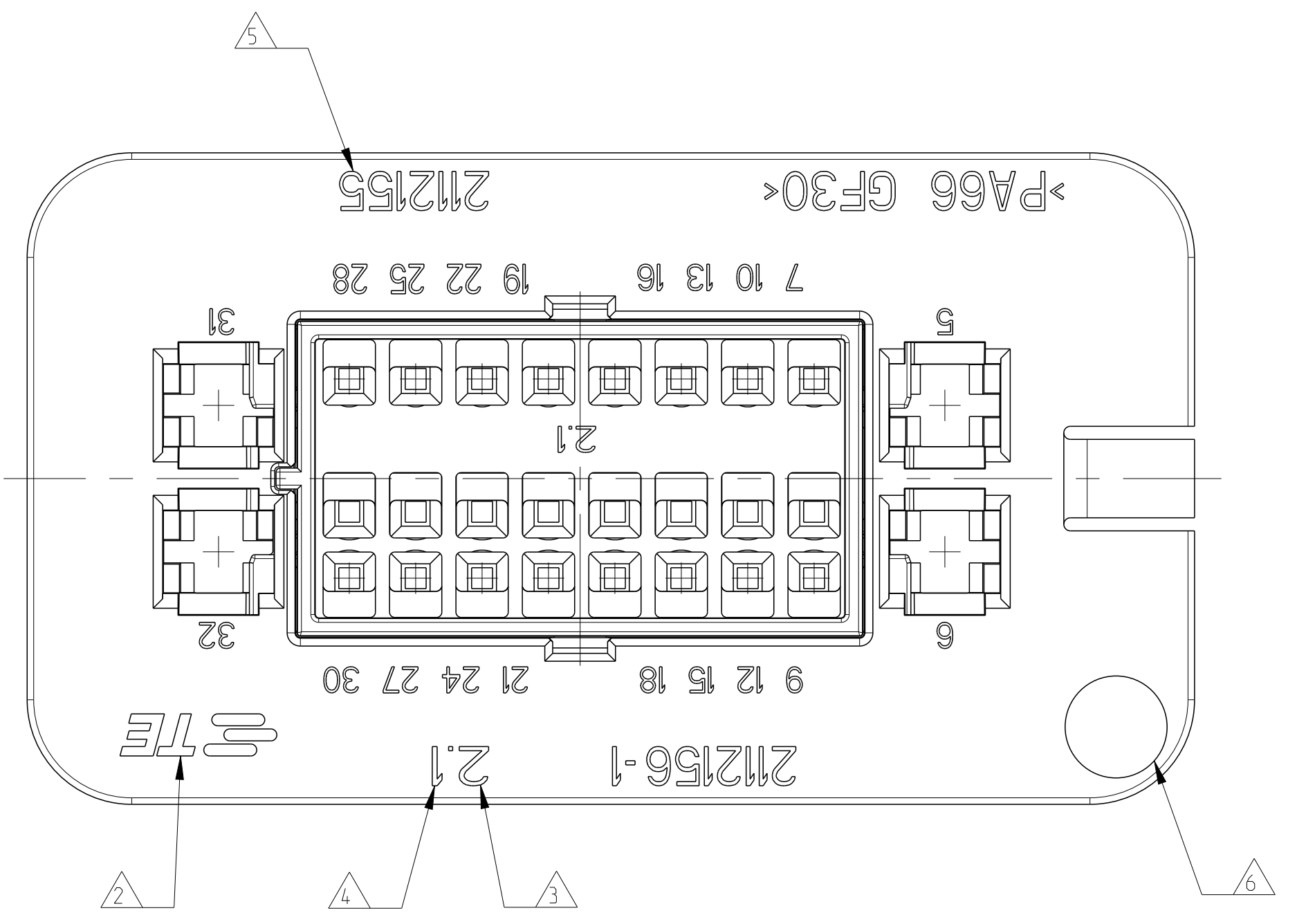
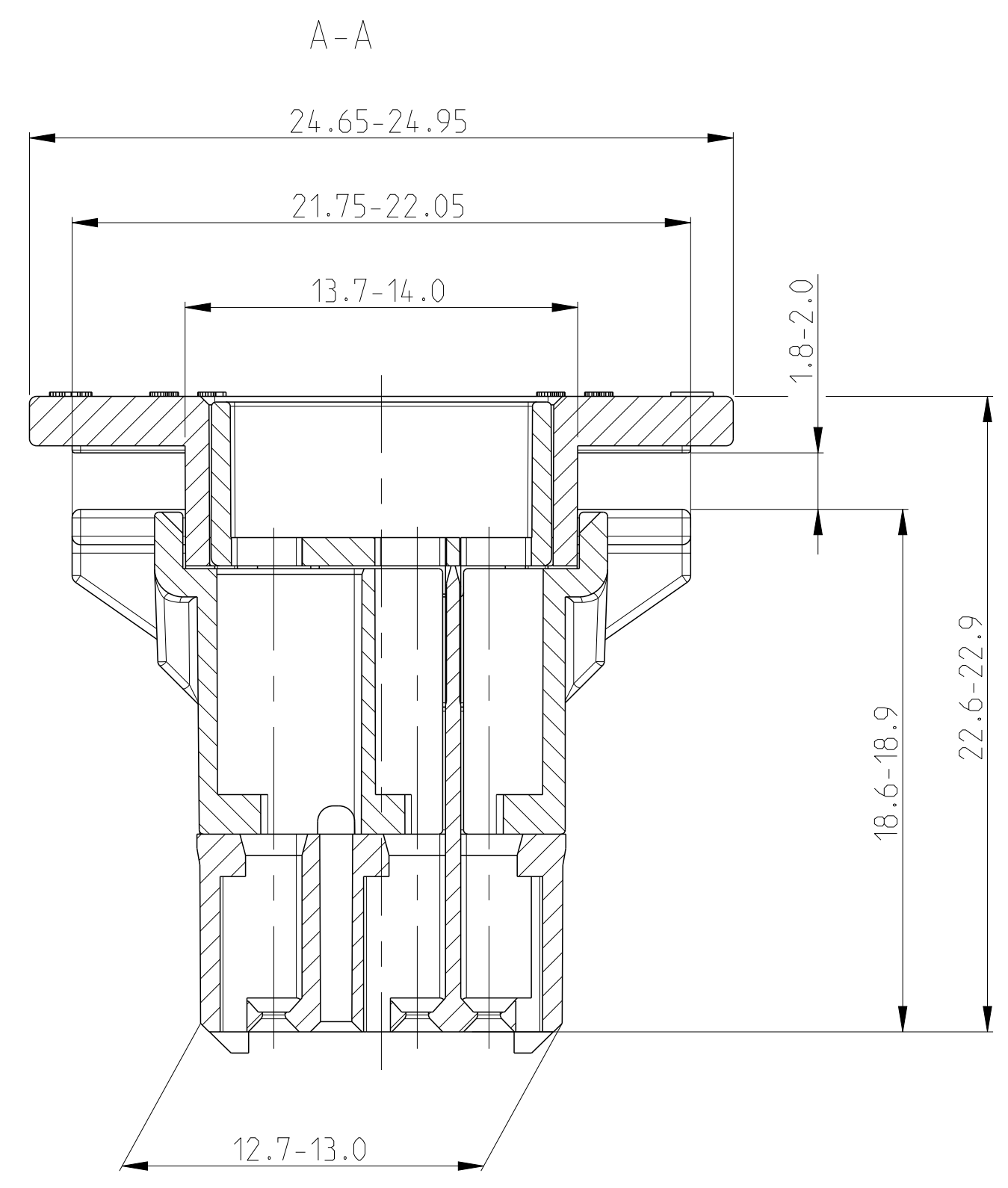
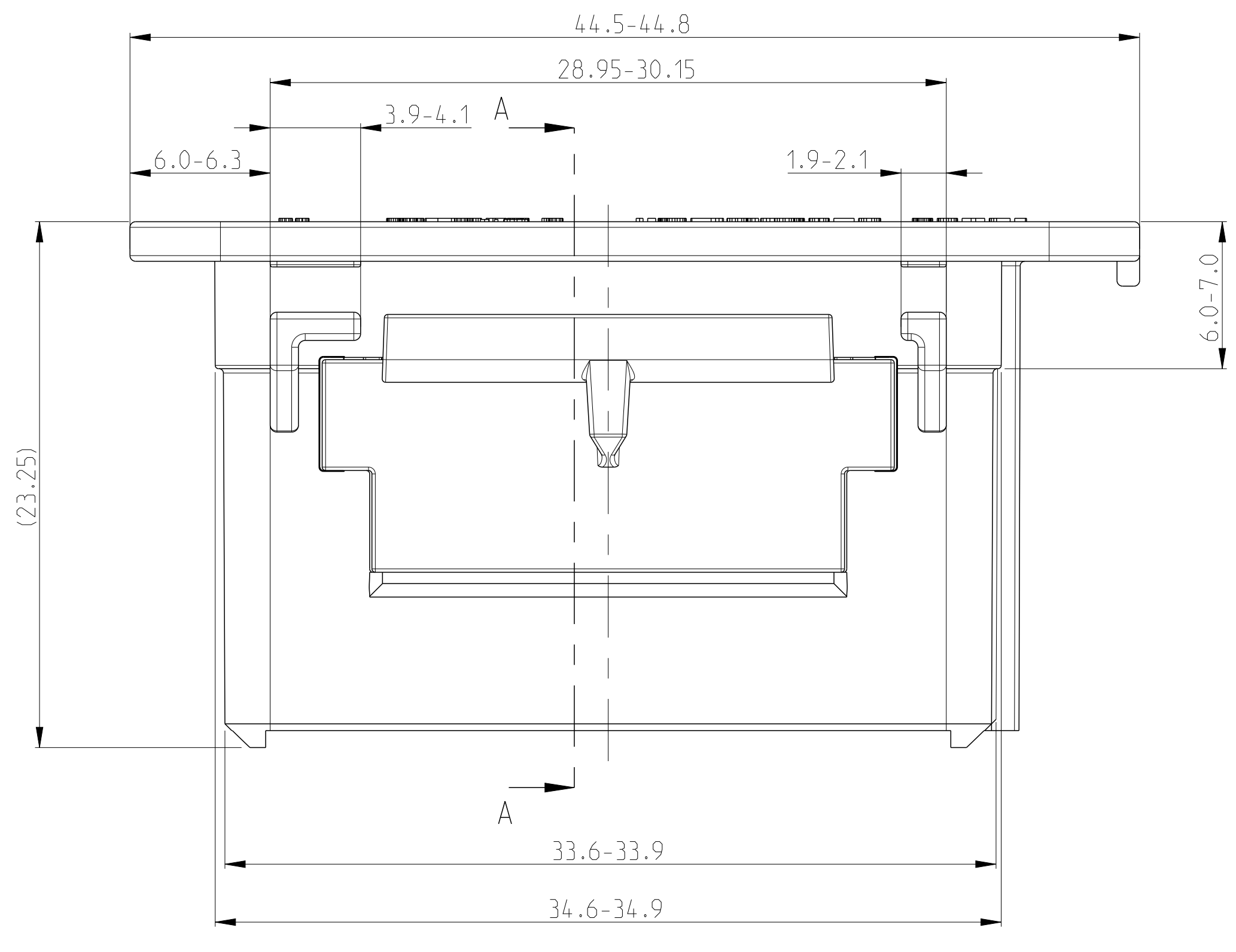
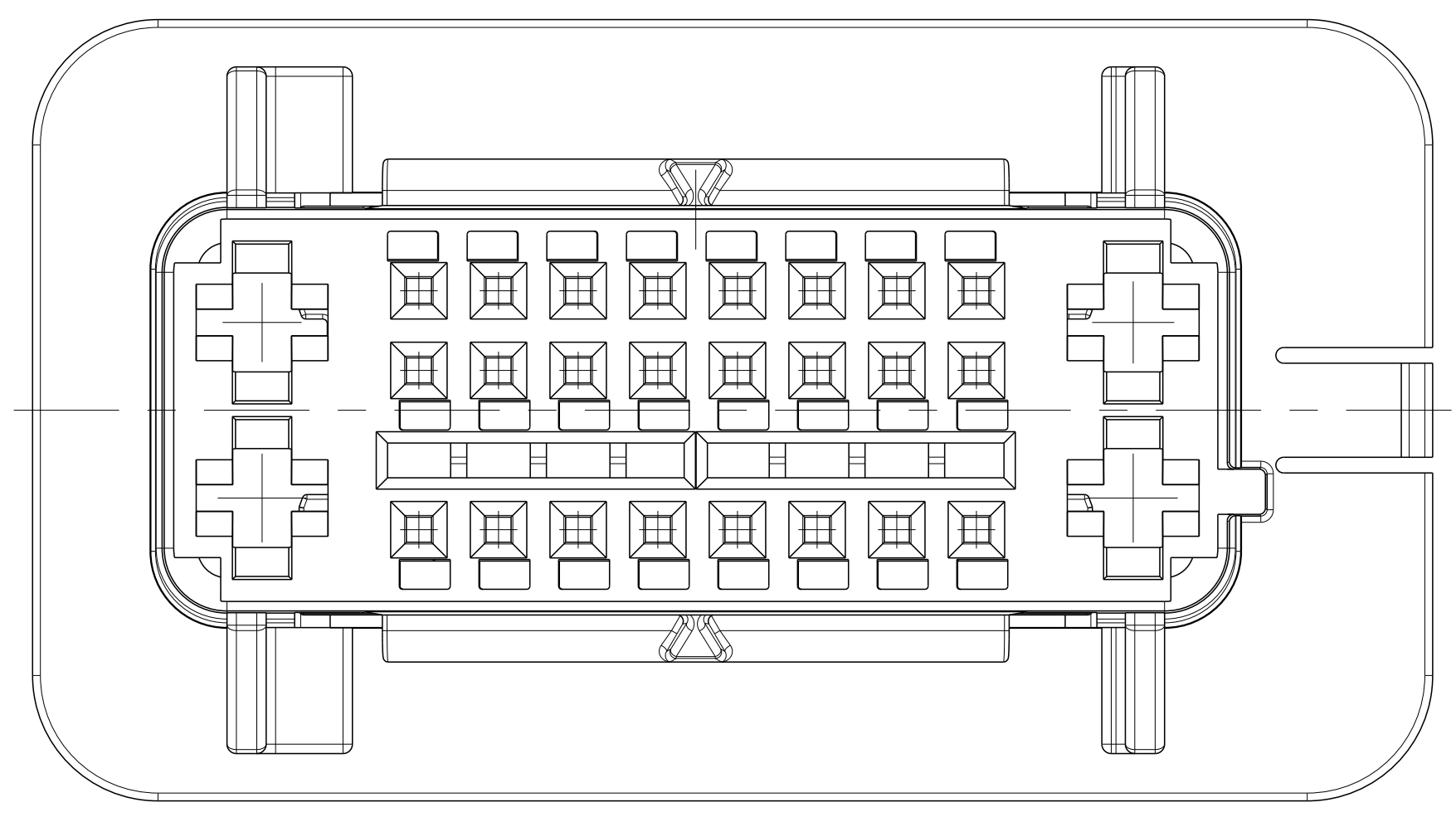
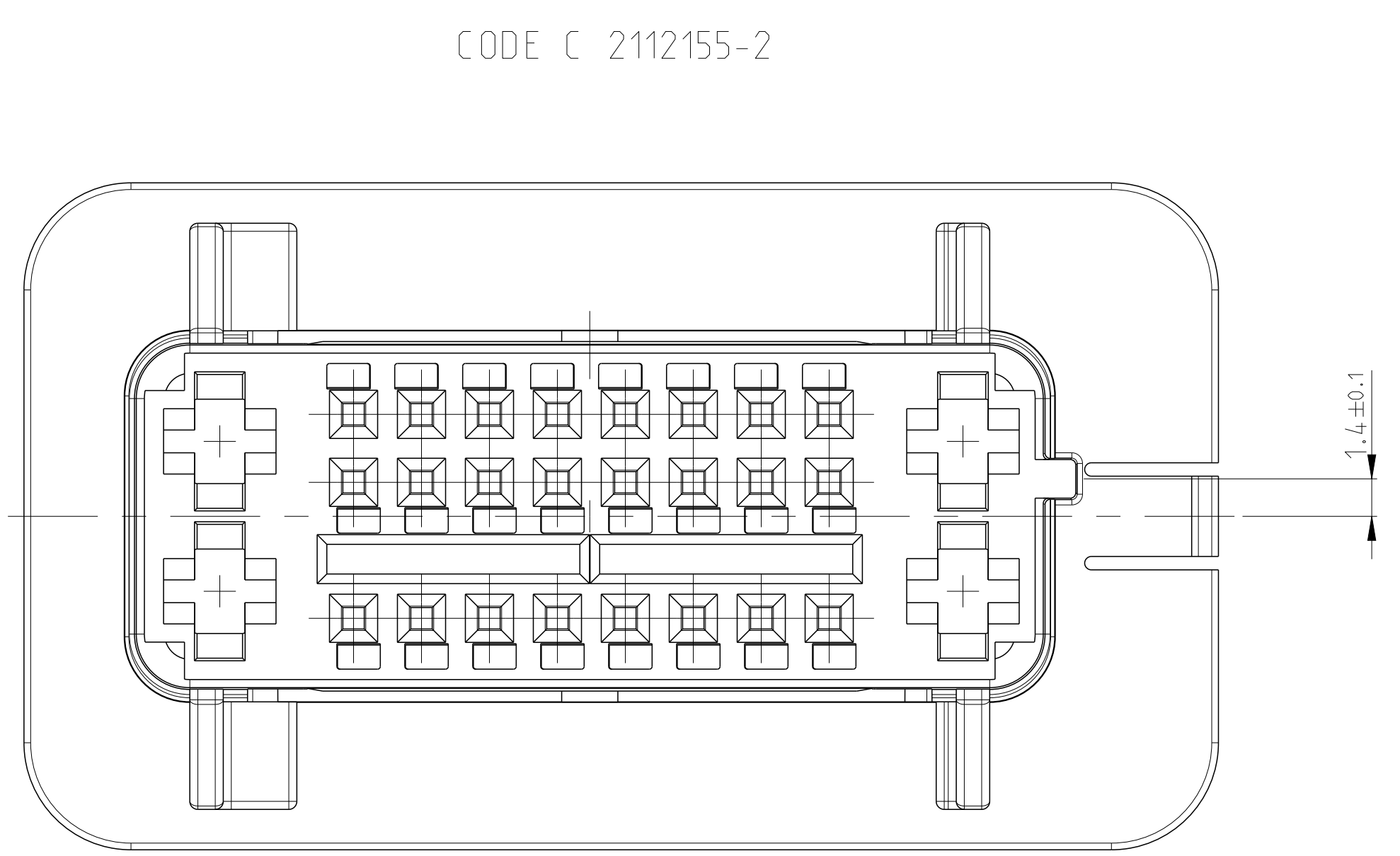
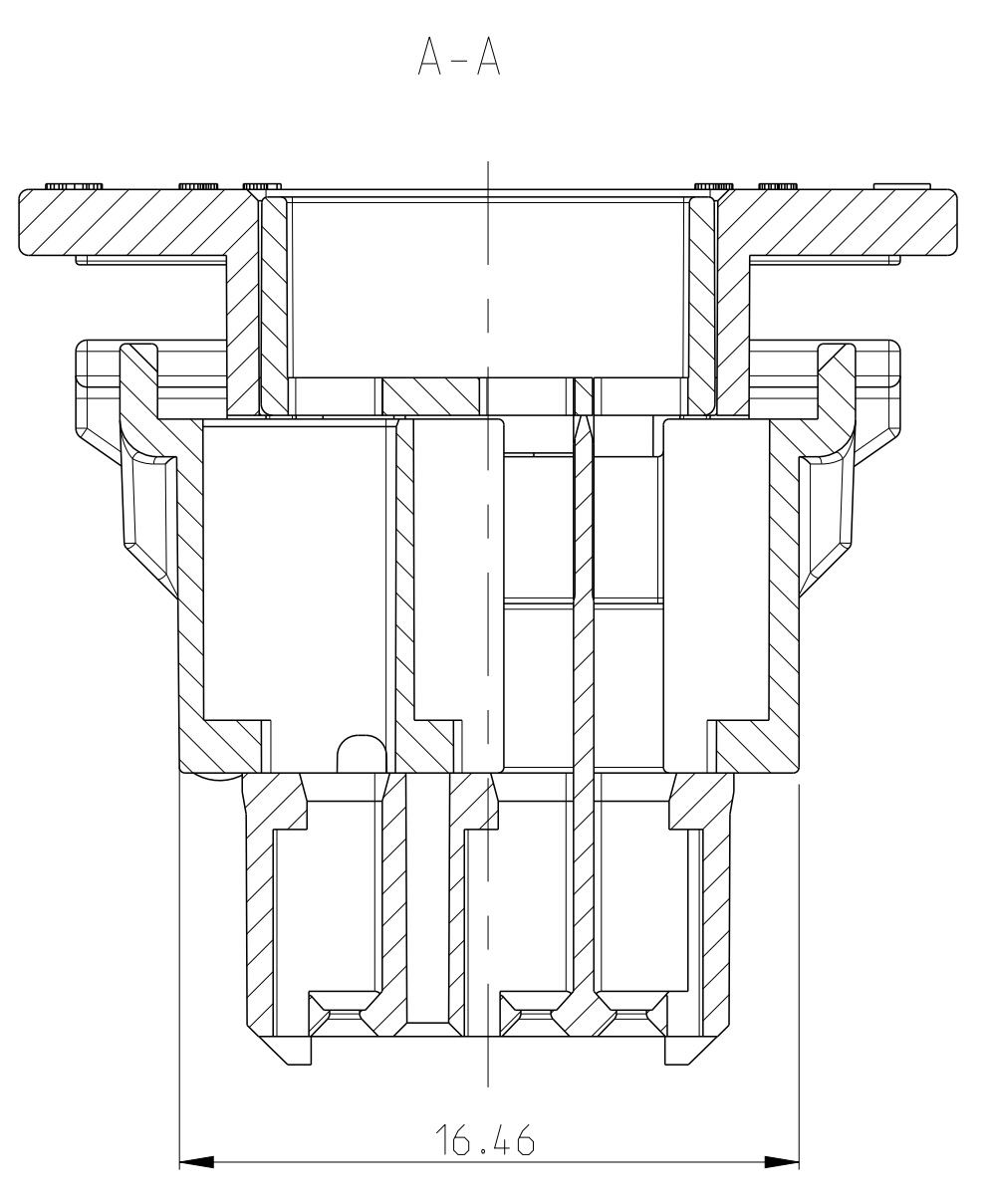
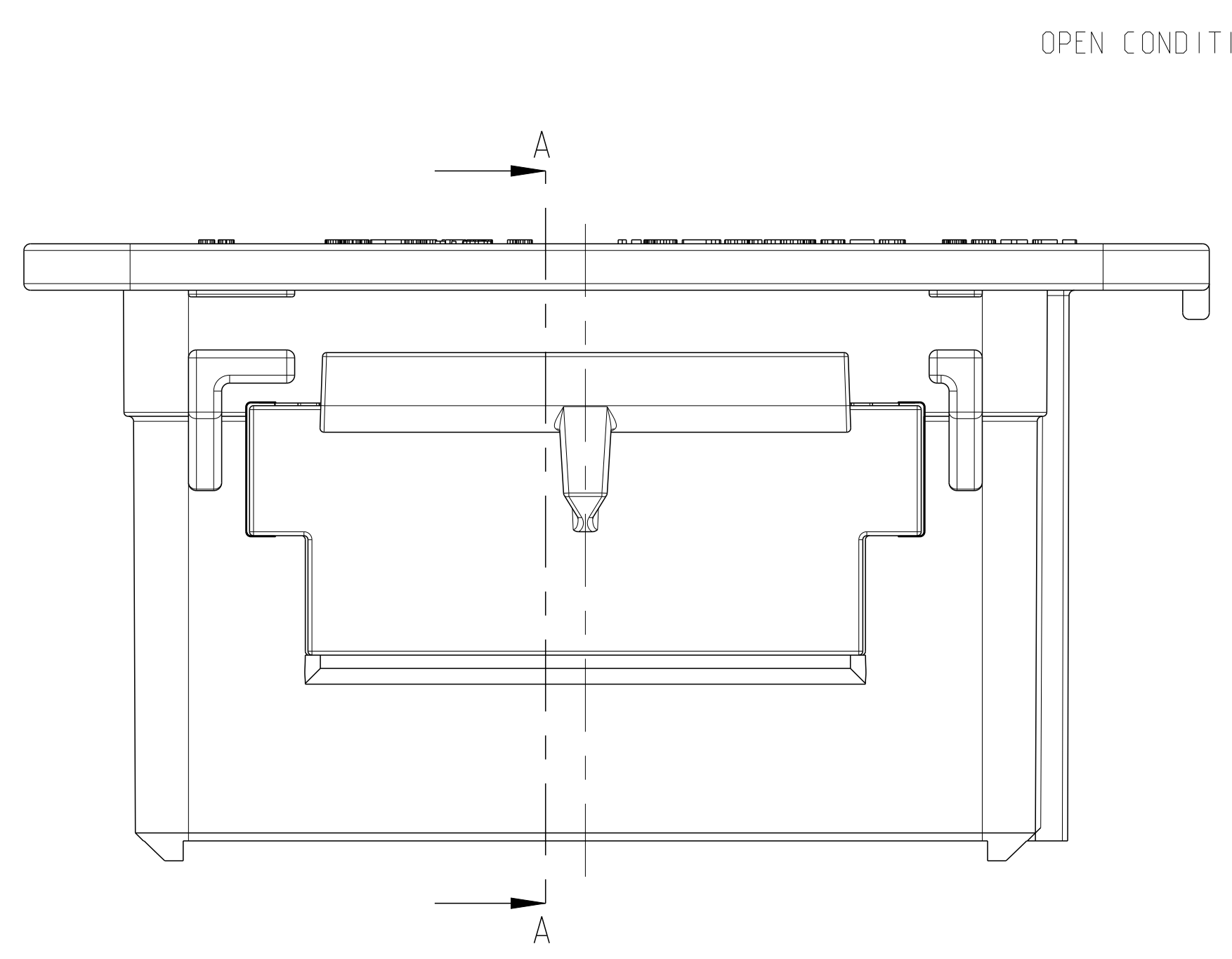


REVISIONS				
REV	DATE	DESCRIPTION	BY	APPD
A3	17SEP2010	ECR-10-019349	SPB	BB
B	05DEC2014	NEW LOGO, MARKING PLASTIC CAVITY	RC	JL
C	04APR2019	TPA LARGE modified	RC	JL



CODE A 2112155-1 AS SHOWN

- NOTES
- SHIP WITH TPAs IN CLOSED POSITION
  - UPDATE LOGO ON NEW MOLD
  - MOLD IDENTIFICATION
  - NUMBER PLASTIC CAVITY
  - REFERENCE PART
  - DATE CODE



QTY	REV	DESCRIPTION	WEIGHT (g)	COLOUR	TEM NO
1	1	TPA LARGE		RED	4
1	1	TPA SMALL		RED	3
1	1	Retainer TPA		RED	2
1		RECEPTACLE HOUSING		BLACK	1
1		RECEPTACLE HOUSING		BLACK	1
2112155-2	2112155-1	DESCRIPTION	WEIGHT (g)	COLOUR	TEM NO

THIS DRAWING IS A CONTROLLED DOCUMENT. DATE: 30DEC12009  
 DRAWN BY: Vijay Pali  
 CHECKED BY: Shashidhar Nair  
 APPROVED BY: SOB BAKER  
 PRODUCT SPEC: RECEPTACLE ASSY  
 APPLICATION SPEC: -  
 MATERIAL: -  
 FINISH: -  
 WEIGHT: -  
 ANGLE: -  
 CUSTOMER: Drawing  
 SCALE: 5:1  
 SHEET: 1 OF 1  
 REV: C

STE TE Connectivity

单击下面可查看定价，库存，交付和生命周期等信息

[>>TE Connectivity\(泰科\)](#)