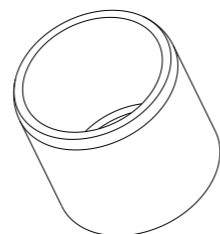
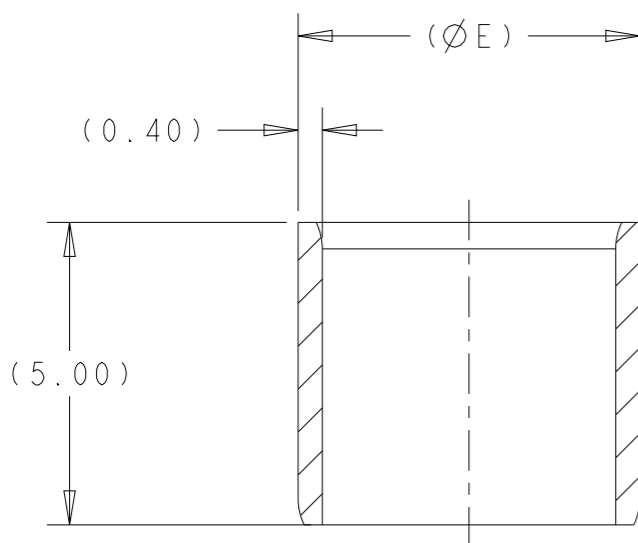


REVISIONS

P	LTR	DESCRIPTION	DATE	DWN	APVD
	B3	ECO-13-000550	10JAN2013	DS	AT
	B3	ECO-14-000116	27FEB2014	DS	AT
	B4	ECO-19-004590	25MAR2019	YS	AT
	B5	ECN-21-124299	28OCT2021	SS	PK



SCALE 4:1

- 1 MATERIAL TYPE 1: COPPER ALLOY
- 2 MATERIAL TYPE 2: ALTERNATE COPPER ALLOY, NO ANNEALING
- 3 FINISH: BARE
- 4. PARTS MUST BE FREE OF BURRS, CRACKS, OR OTHER VISUAL IMPERFECTIONS THAT MAY AFFECT FIT FORM OR FUNCTION
- 5 NOTE DELETED
- 6. THE FUNCTION OF THE INNER FERRULE IS TO PROVIDE MECHANICAL SUPPORT TO THE OUTER FERRULE IN THE WIRE SHIELD CRIMP APPLICATION. THE INNER FERRULE DOES NOT HAVE AN ELECTRICAL FUNCTION AND IS NOT PLATED. SURFACE DISCOLORATION FROM MANUFACTURING PROCESS OR ENVIRONMENTAL EXPOSURE DOES NOT IMPACT PRODUCT FUNCTION.
- 7 PRELIMINARY PART NOT FOR PRODUCTION

7	2	6.10	6.10	7.00	SIZE C	1-1587828-3
	1	5.41	6.10	7.00	SIZE C	1587828-3
7	2	4.76	5.41	6.30	SIZE B	1-1587828-2
	1	4.76	5.41	6.30	SIZE B	1587828-2
7	2	4.11	4.76	5.70	SIZE A	1-1587828-1
	1	4.11	4.76	5.70	SIZE A	1587828-1
		MIN	MAX	E	DESCRIPTION	PART NO
		WIRE O.D.				

THIS DRAWING IS A CONTROLLED DOCUMENT.		DWN D SIMPSON 01JUN2009	TE Connectivity	
		CHK A TYLER 01JUN2009		
DIMENSIONS: mm	TOLERANCES UNLESS OTHERWISE SPECIFIED:	APVD -	NAME INNER FERRULE, HVA280	
	0 PLC ±-	PRODUCT SPEC 108-2394	DRAWING NO 114-13259	
	1 PLC ±0.2	APPLICATION SPEC 114-13259	SIZE A3	CAGE CODE 00779
	2 PLC ±0.10	WEIGHT -	DRAWING NO 1587828	
	3 PLC ±0.013		RESTRICTED TO -	
	4 PLC ±0.0001		SCALE 8:1	
MATERIAL	FINISH	CUSTOMER DRAWING		SHEET 1 OF 1
- 1 2	- 3			REV B5

单击下面可查看定价，库存，交付和生命周期等信息

[>>TE Connectivity\(泰科\)](#)