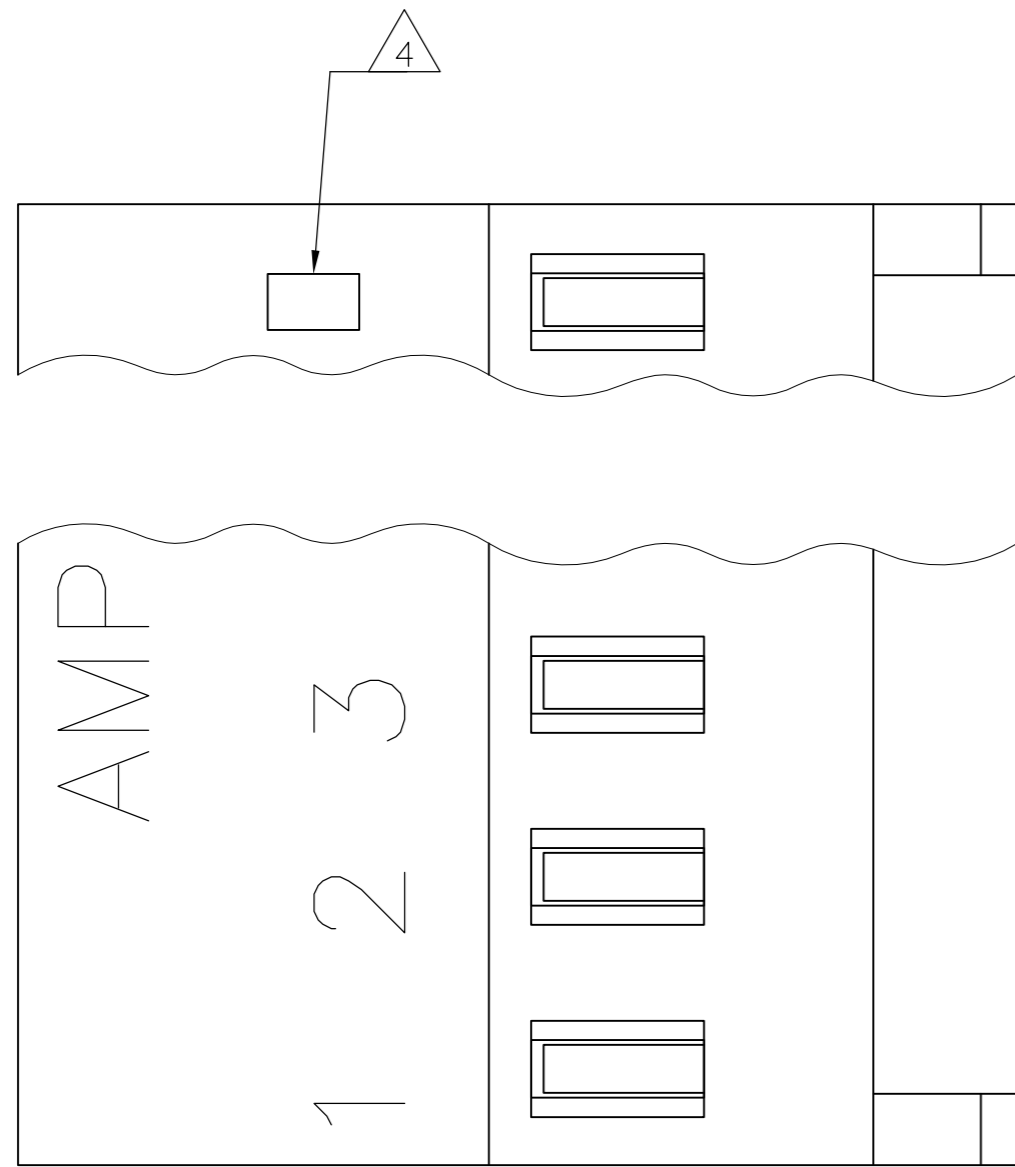
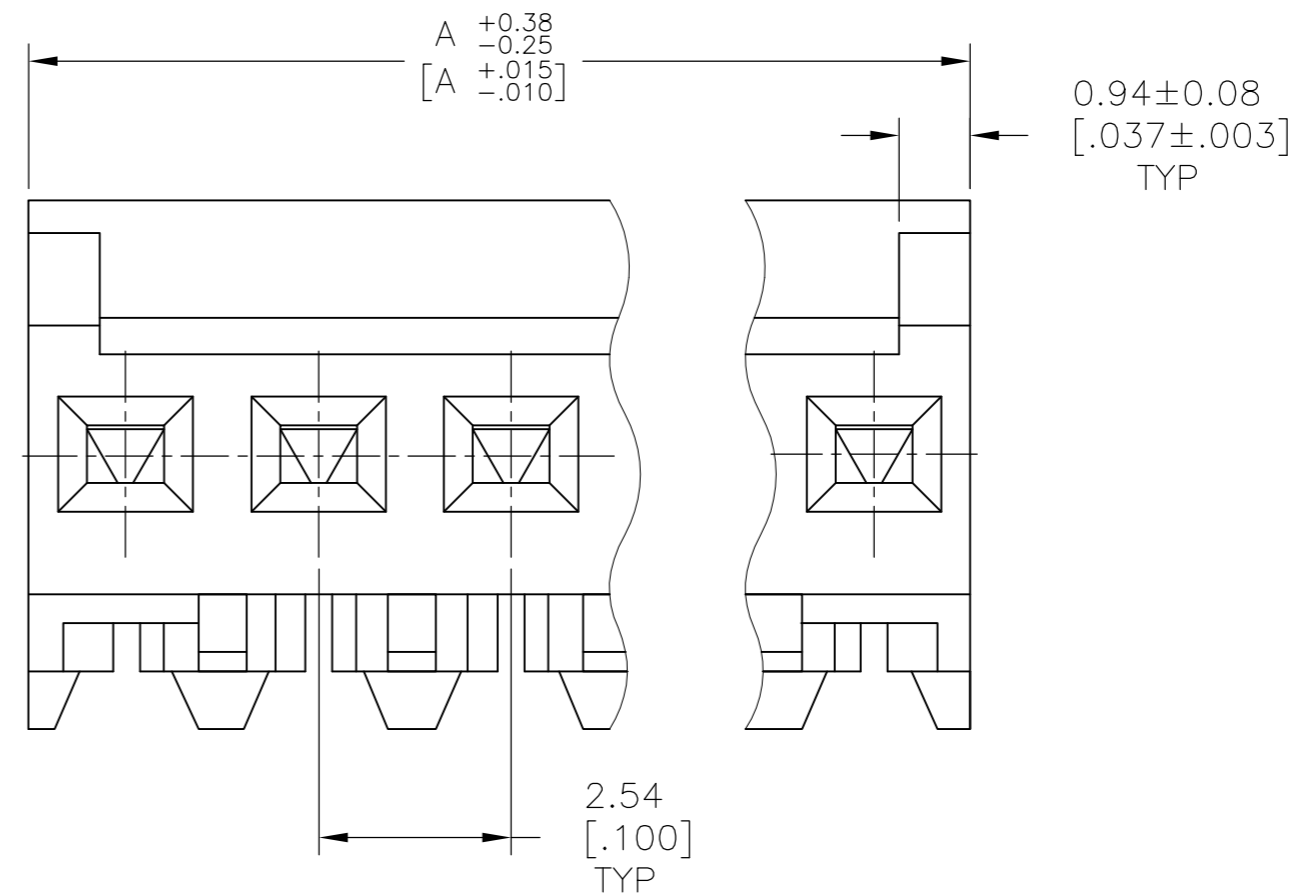
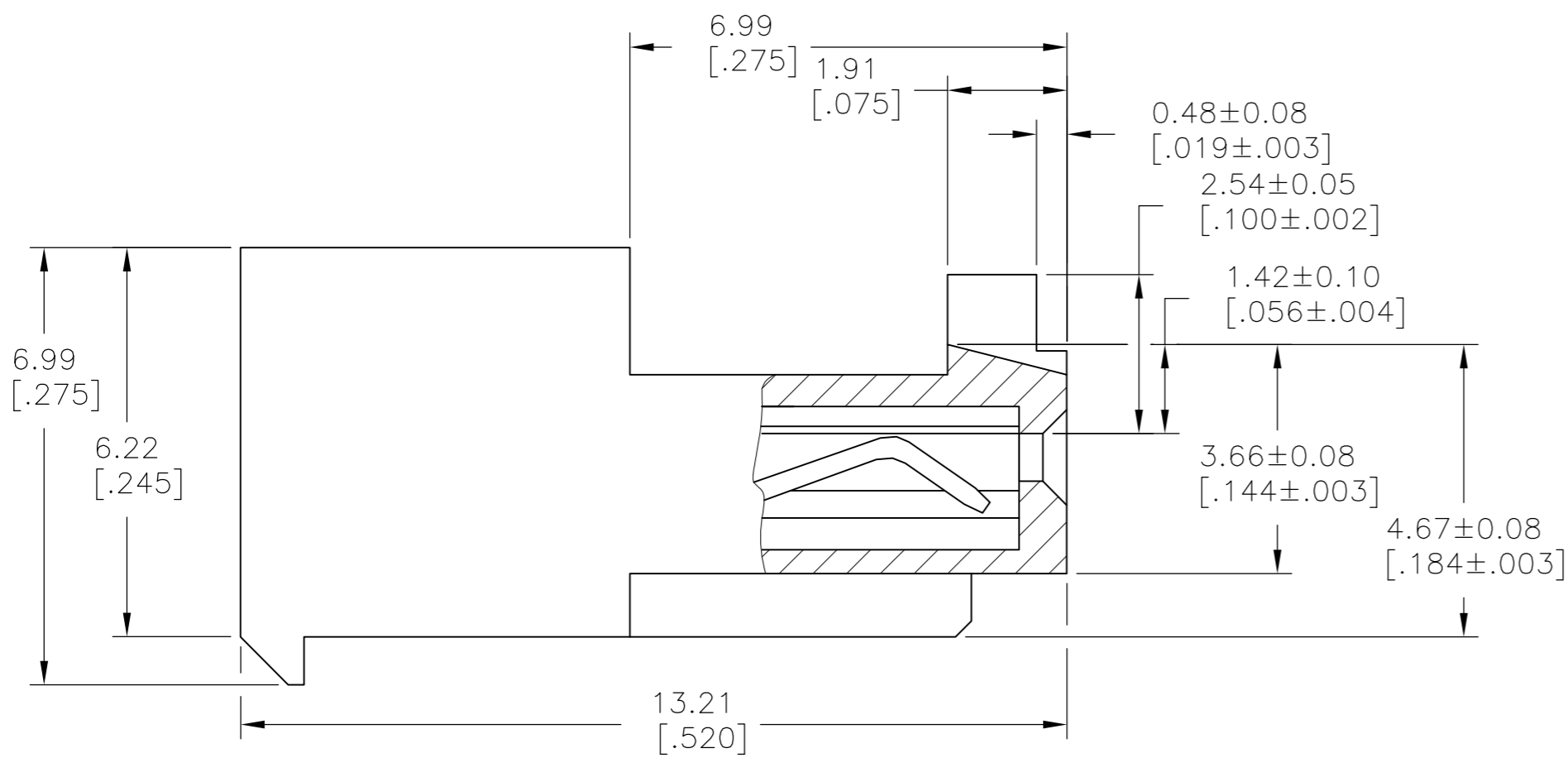


THIS DRAWING IS UNPUBLISHED. RELEASED FOR PUBLICATION
 © COPYRIGHT BY TYCO ELECTRONICS CORPORATION. ALL INTERNATIONAL RIGHTS RESERVED.

LOC	DIST	REVISIONS			
P	LTR	DESCRIPTION	DATE	DWN	APVD
AD	00	A	RELEASED	12MAY09	DH DY



- 1 MATERIAL: CONNECTOR-NYLON UL94V-0 (BLACK). CONTACTS_0.30 [.012] THICK PHOSPHOR BRONZE GOLD PLATE 0.00076 [.000030] MIN THICK IN CONTACT AREA WITH MATTE WHISKER MITIGATED TIN OVER NICKEL UNDERPLATE IN WIRE SLOT AREA.
- 2. CONTACTS ACCEPT 24 AWG WIRE WITH 1.52 [.060] MAX INSULATOR DIAMETER.
- 3. CONTACTS MUST ACCEPT 0.64±0.03 [.025±.001] SQUARE POST AND REMAIN LOCKED IN POSITION.
- 4 IDENTIFICATION NUMBER FOR LAST CIRCUIT MAY NOT APPEAR ON ALL ASSEMBLIES.
- 5. DIMENSIONS IN BRACKETS ARE IN INCHES.
- 6. HOUSING FEATURES ARE: CLOSED END WITH LOCKING RAMP AND WITH POLARIZING TAB.



10.16 [.400]	4	3-1744367-4
DIM A	NO. OF POSITIONS	PART NUMBER

THIS DRAWING IS A CONTROLLED DOCUMENT.		DWN D. HUMBERT 16MAR2009	Tyco Electronics Corporation Harrisburg, PA 17105-3608	
DIMENSIONS: mm [INCHES]		CHK A. SHARPE 16MAR2009	NAME MTA-100 CONNECTOR ASSEMBLY 24 AWG, UL94V-0	
TOLERANCES UNLESS OTHERWISE SPECIFIED: 0 PLC ± 1 PLC ± 2 PLC ± 3 PLC ± 0.13 [.005] 4 PLC ± ANGLES ±		APVD A. SHARPE 16MAR2009	PRODUCT SPEC 108-1050	
MATERIAL		FINISH	APPLICATION SPEC 114-1019	RESTRICTED TO -
1		1	SIZE A2	CAGE CODE 00779
CUSTOMER DRAWING		SCALE 10:1	DRAWING NO C=1744367	SHEET 1 of 1
			REV A	

单击下面可查看定价，库存，交付和生命周期等信息

[>>TE Connectivity\(泰科\)](#)