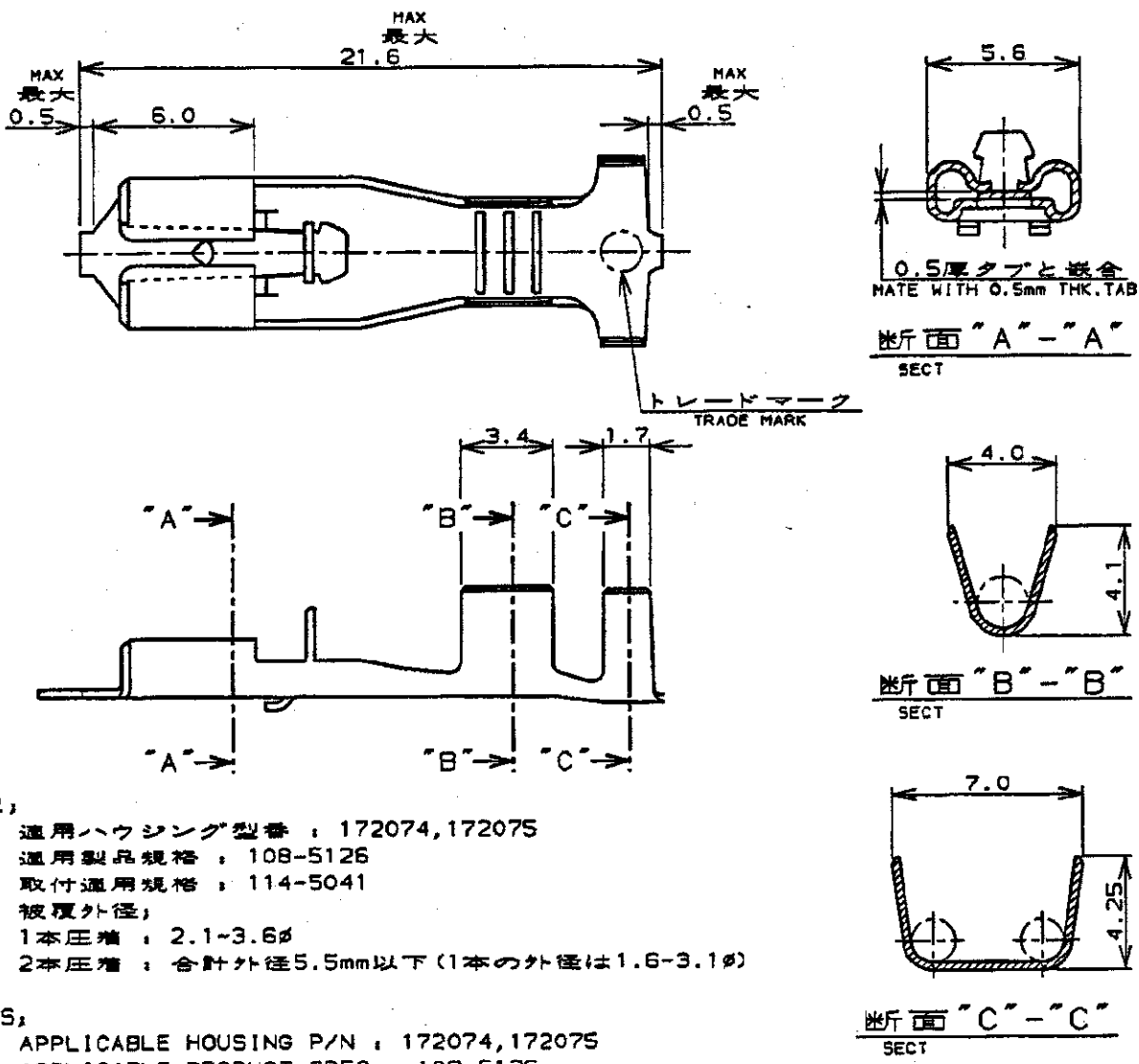


LOC	DIST	REVISIONS					
J	ZDI	P	LTR	DESCRIPTION	DATE	OWN	APVD
		E2		REVISED PER ECO-11-005030	22MAR11	RK	HMR



- 注記;
1. 適用ハウジング型番 ; 172074, 172075
  2. 適用製品規格 ; 108-5126
  3. 取付適用規格 ; 114-5041
  4. 被覆外径;
    - 1本圧着 ; 2.1-3.6φ
    - 2本圧着 ; 合計外径5.5mm以下 (1本の外径は1.6-3.1φ)

- NOTES;
1. APPLICABLE HOUSING P/N ; 172074, 172075
  2. APPLICABLE PRODUCT SPEC ; 108-5126
  3. APPLICABLE APPLICATION SPEC ; 114-5041
  4. INSULATION DIA;  
ONE WIRE ; 2.1-3.6φ  
TWO WIRE ; OUTSIDE DIAMETER  
5.5mm MAX  
(SINGLE WIRE 1.6-3.1φ)
- ⚠ OBSOLETE PARTS: OBSOLETE CIS STREAMLINING PER D.RENAUD/D.SINISI

---	錫めっき済高耐熱銅合金 0.3t PRE-TIN HIGH HEAT RESISTANCE COPPER ALLOY 0.3t	170326-6 ⚠
---	錫めっき済リン青銅 0.3t PRE-TIN PHOS BRO 0.3t	170326-5
170332-1	錫めっき付黄銅 0.3t PRE-TIN BRASS 0.3t	170326-1
ばら状端子型番 LOOSE PIECE P/N	材料 MATERIAL	型番 P/N
WIRE RANGE 被覆電線断面積 0.7-2.08mm <sup>2</sup> (AWG#18-#14)	INSULATION DIA 被覆外径 注4参照 SEE NOTES 4	

THIS DRAWING IS UNPUBLISHED.  
 ALL RIGHTS RESERVED.  
 COPYRIGHT

DIMENSIONS,  
単位 mm

TOLERANCES UNLESS OTHERWISE SPECIFIED.

一般公差	10% ±0.2
30%	±0.25
100%	±0.3

ANGLE : ±0.3

±0.4

OWN *M. Nardis* 11/8 '95

CHK *M. Suzuki* 8 NOV '95

APVD *[Signature]* 8 NOV '95

PRODUCT SPEC  
製品規格  
注2参照  
SEE NOTES 2

APPLICATION SPEC  
取付適用規格  
注3参照  
SEE NOTES 3

WEIGHT ---

MATERIAL 表参照  
材料 SEE TABLE

FINISH 仕上

**TE** TE Connectivity

NAME 名称  
"187"シリーズポジティブロック(マークII)リセプタクル  
"187" SERIES POSITIVE LOCK (MARK-II) REC.

SIZE	CAGE CODE	DRAWING NO
A4	00779	C-170326

CUSTOMER DRAWING

SCALE 尺 4:1 SHEET 1 OF 1 REV E2

单击下面可查看定价，库存，交付和生命周期等信息

[>>TE Connectivity\(泰科\)](#)