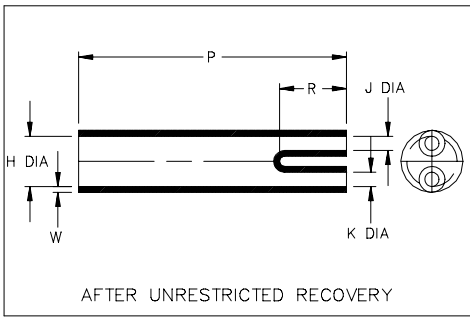
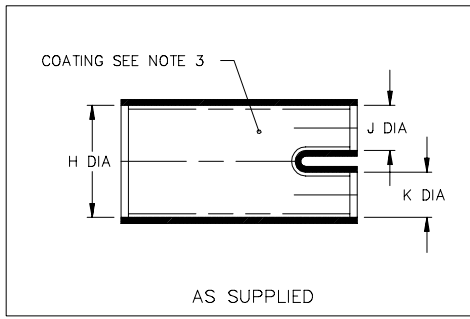


Thermofit[®] Molded Parts
 Specification Control Drawing
 limited Distribution

Part Number : 302A834-X-05
 Description : Transition, 3 Entry

NOTES

- All dimensions are in $\frac{\text{inches}}{\text{millimeters}}$
- Dimensions appearing in table are as follows:
 - a - As Supplied
 - b - After Unrestricted Recovery
- Coating is optional. As supplied dimensions appearing in table are for uncoated parts. When coating is added, entry diameters will be reduced by .06 max.



PART NUMBER	H		J & K		P	R	W
	Min	Max	Min	Max			
	a	b	a	b	±10%	±10%	±20%
302A834-X-05	$\frac{1.96}{[49,8]}$	$\frac{.95}{[24,1]}$	$\frac{1.20}{[30,5]}$	$\frac{.30}{[7,62]}$	$\frac{4.25}{[107,9]}$	$\frac{1.01}{[25,6]}$	$\frac{.10}{[2,5]}$

**If this document is printed it becomes uncontrolled.
 Check for the latest revision.**

Raychem

RAYCHEM CORPORATION
 300 CONSTITUTION DRIVE
 MENLO PARK, CALIFORNIA 94025

Revision : A
 Date : 4/28/99

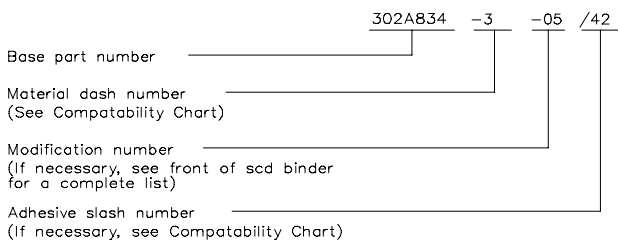
Part Number : 302A834-X-05
 Description : Transition, 3 Entry

Thermofit[®] Molded Parts
 Specification Control Drawing
 Limited Distribution

Part Number : 302A834-X-05
 Description : Transition, 3 Entry

COMPATABILITY CHART					
MATERIAL DASH NO.	MATERIAL DESCRIPTION	RT SPEC	COATING SLASH NO.	COATING S NO.	COATING DESCRIPTION
-3	Polyolefin, Semi-rigid	RT-301	/42	S-1017	Adhesive

ORDERING INFORMATION



THIS DRAWING IS SUBJECT TO CHANGE WITHOUT NOTICE; CONSULT YOUR
 NEAREST FIELD REPRESENTATIVE FOR CURRENT REVISION

Raychem

RAYCHEM CORPORATION
 300 CONSTITUTION DRIVE
 MENLO PARK, CALIFORNIA 94025

Revision : A
 Date : 4/28/99

Part Number : 302A834-X-05
 Description : Transition, 3 Entry

单击下面可查看定价，库存，交付和生命周期等信息

[>>TE Connectivity\(泰科\)](#)