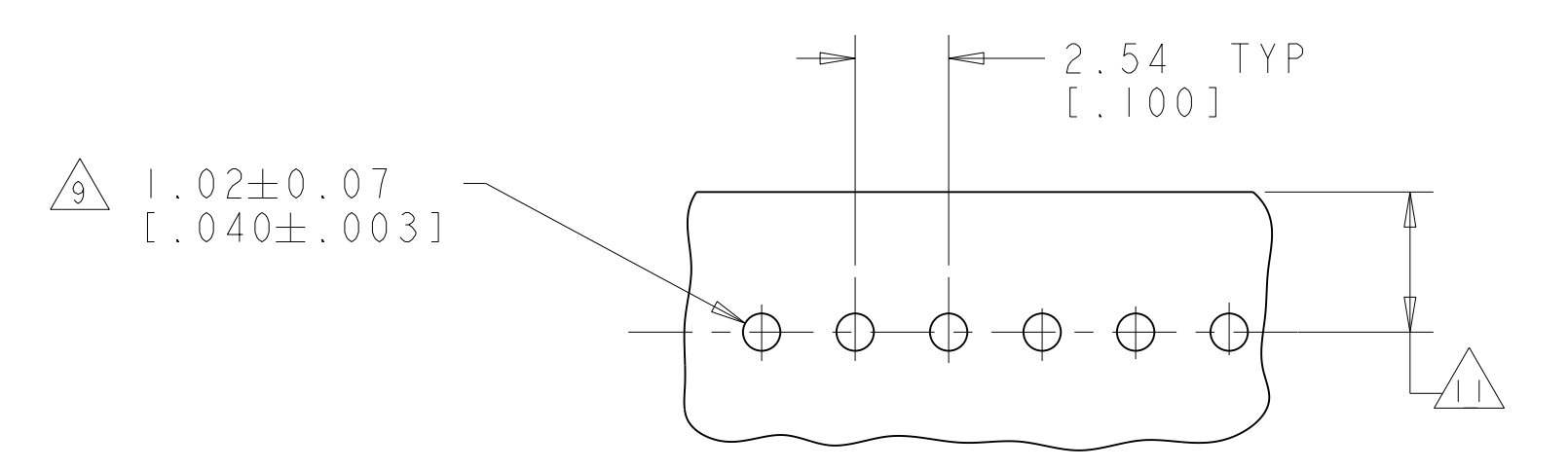
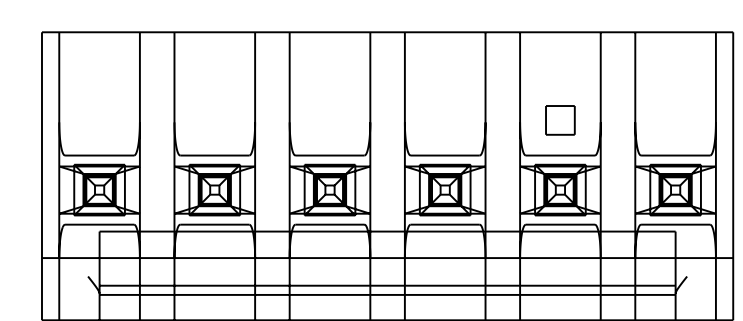
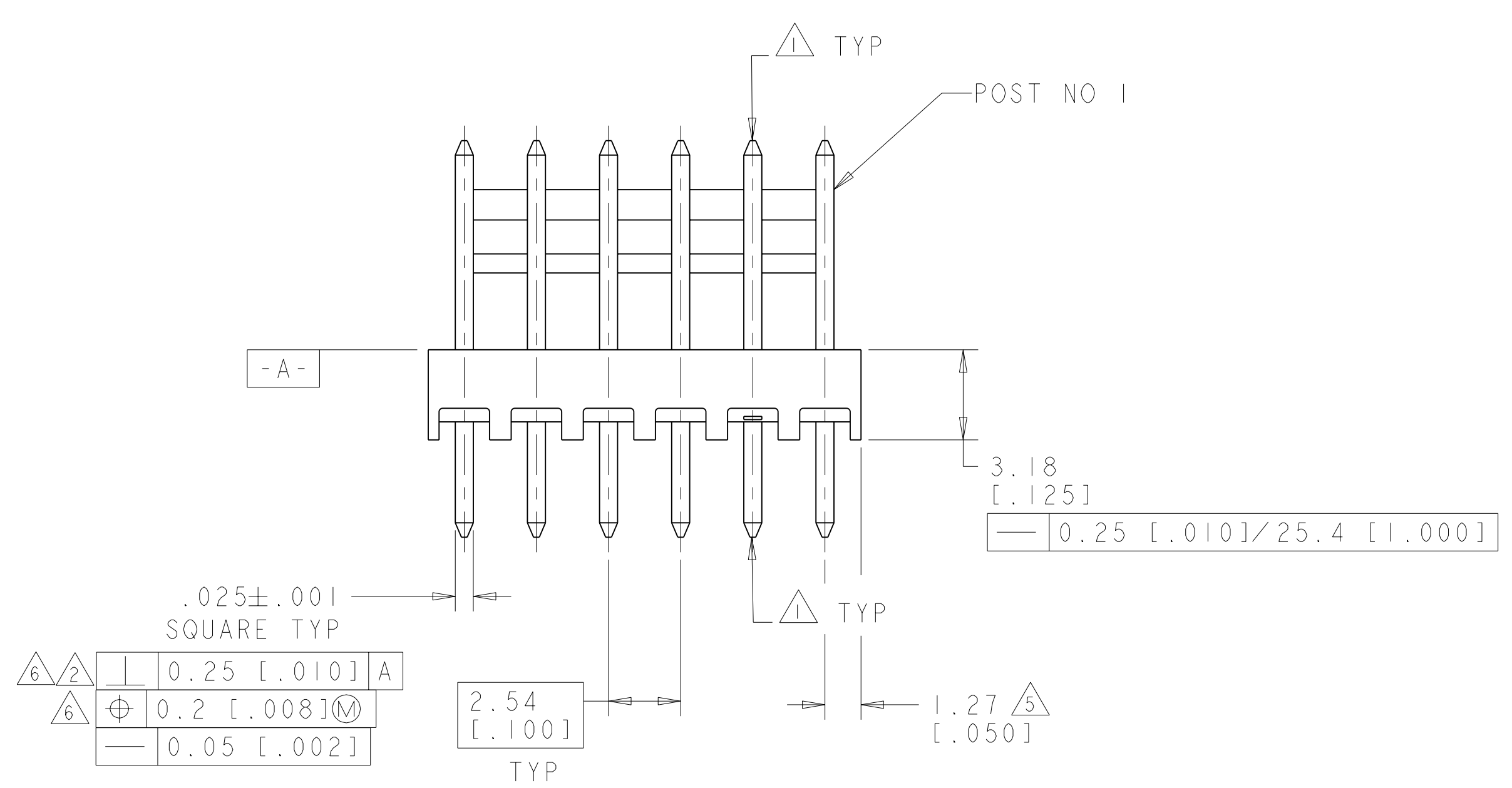
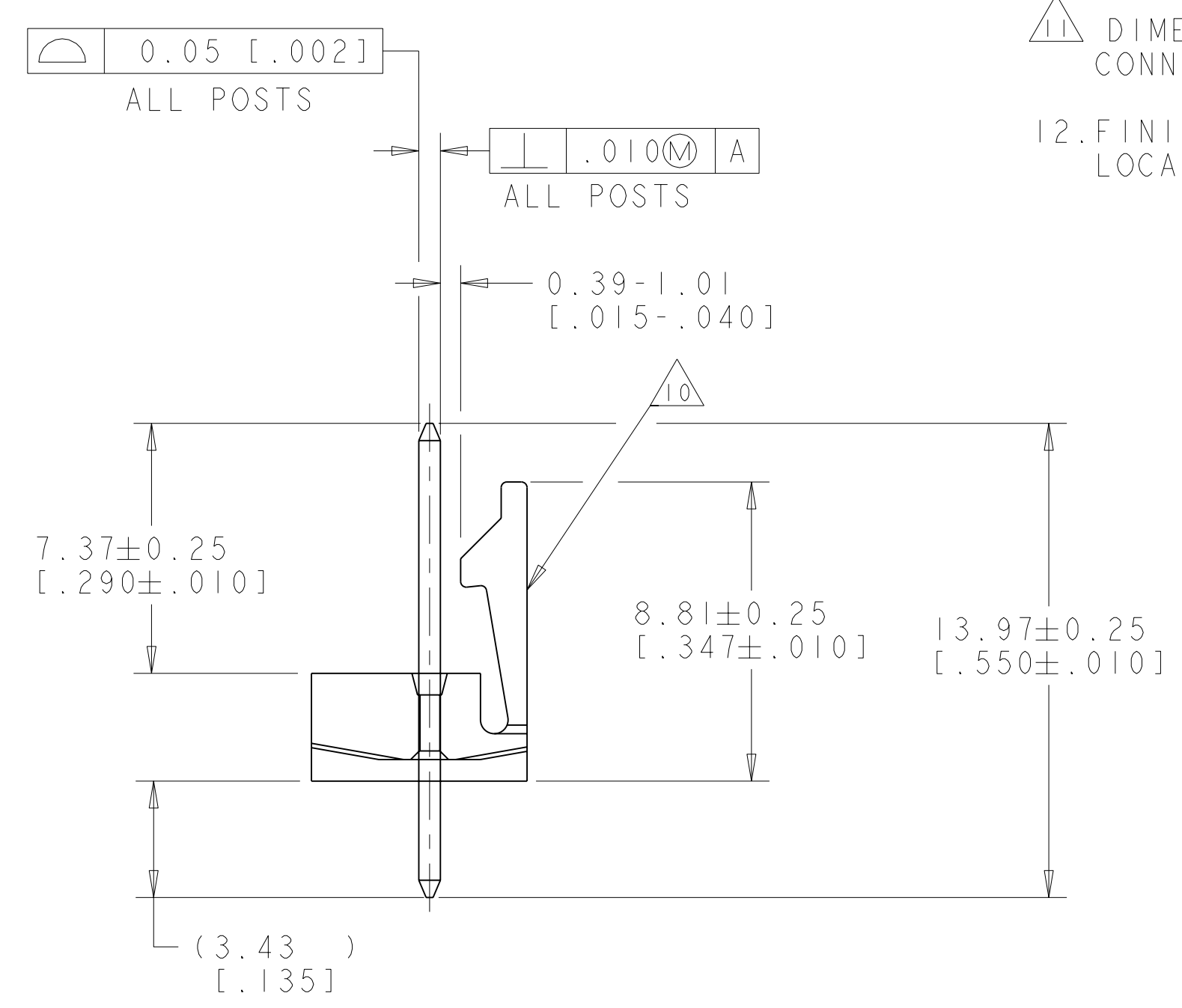
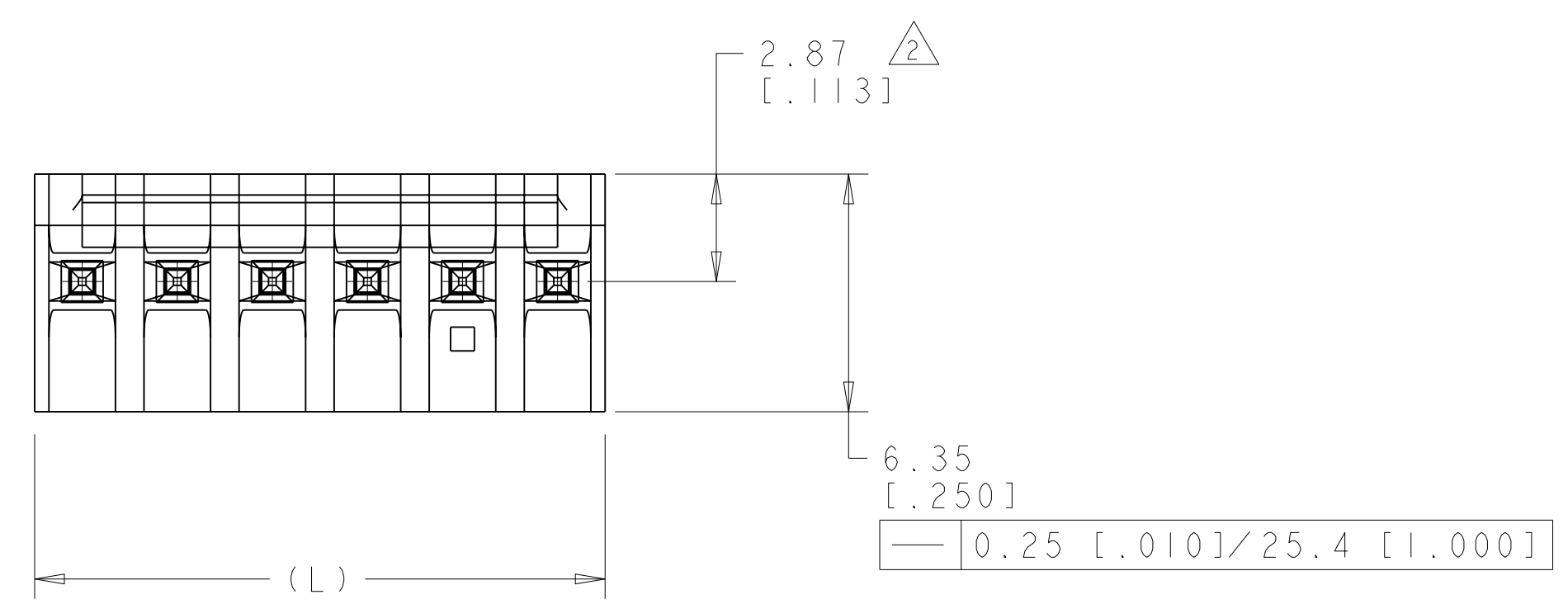


LOC	DIST	REVISIONS				
CM	00	REV	DESCRIPTION	DATE	DWN	APVD
		I	PRE-RELEASED	27-MAY-03	KW	DB
		A	REVISED PER ECO-05-013887	23NOV05	KW	DB

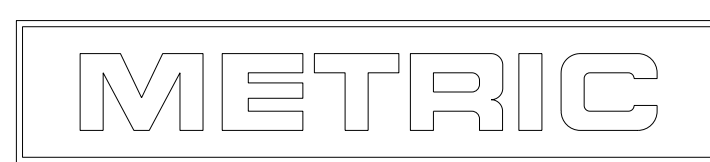


RECOMMENDED MOUNTING HOLE PATTERN ⁹
 FOR 1.6 [.063] THICK P.C. BOARD

- ¹ POST WITHSTAND 13 NEWTONS (3 LBS) MIN AXIAL FORCE IN DIRECTION SHOWN WITHOUT DISLODGING.
- ² MEASURED AT ^{-A-}.
- 3. PARTS COMPLY WITH SOLDERABILITY SPEC 109-11-2.
- ⁴ MATERIAL: HOUSING - PBT, FLAME RTD, NATURAL.
POST - COPPER ALLOY TIN PLATING.
- ⁵ COORDINATE DIMENSION APPLIES FROM CENTER OF ACTUAL FEATURE.
- ⁶ POSTS TO BE MEASURED WHEN STRIP HELD FLAT.
- 7. DIMENSIONS IN BRACKETS ARE IN INCHES.
- ⁸ TOLERANCES APPLY TO SOLDER SIDE OF BOARD.
- ⁹ ONE HOLE MAY BE UNDERSIZED 0.81-0.89 [.032-.035] DIAMETER FOR ASSEMBLY RETENTION DURING PROCESSING.
- ¹⁰ AMP LOGO, UL, AND CSA TRADEMARKS TO APPEAR ON THIS SURFACE.
- ¹¹ DIMENSION SHOULD BE 3.81 [.150] MIN WHEN MATING WITH A MTA-100 CONNECTOR ASSEMBLY OR A CST 100
- 12. FINISHED PRODUCT TO HAVE <PBT> AND CHINA MARKINGS ON HOUSING - LOCATION AND SIZE AT VENDOR'S DISCRETION.

PRELIMINARY - NOT FOR PRODUCTION	15.24 [.600]	6	647658-6
PRELIMINARY - NOT FOR PRODUCTION	12.70 [.500]	5	647658-5
PRELIMINARY - NOT FOR PRODUCTION	10.16 [.400]	4	647658-4
PRELIMINARY - NOT FOR PRODUCTION	7.62 [.300]	3	647658-3
	5.08 [.200]	2	647658-2
	L	NO OF POSN	PART NO

DIMENSIONS: mm [INCHES]		TOLERANCES UNLESS OTHERWISE SPECIFIED:		DWN: K. WHITAKER 27MAY2003		CHK: D. BOSSI 27MAY2003		APVD: D. BOSSI 27MAY2003		NAME: MTA-100 HEADER ASSEMBLY, POST-LOCK, .025 SQUARE, STRAIGHT POST, TIN PLATED	
0 PLC	±	0 PLC	±	0 PLC	±	0 PLC	±	0 PLC	±	0 PLC	±
1 PLC	±	1 PLC	±	1 PLC	±	1 PLC	±	1 PLC	±	1 PLC	±
2 PLC	±	2 PLC	±	2 PLC	±	2 PLC	±	2 PLC	±	2 PLC	±
3 PLC	±	3 PLC	±	3 PLC	±	3 PLC	±	3 PLC	±	3 PLC	±
4 PLC	±	4 PLC	±	4 PLC	±	4 PLC	±	4 PLC	±	4 PLC	±
ANGLES	±	ANGLES	±	ANGLES	±	ANGLES	±	ANGLES	±	ANGLES	±
MATERIAL: ⁴		FINISH: ⁴		WEIGHT: -		SCALE: 1:1		SHEET: 1 OF 1		REV: A	



单击下面可查看定价，库存，交付和生命周期等信息

[>>TE Connectivity\(泰科\)](#)