

THIS DRAWING IS UNPUBLISHED.

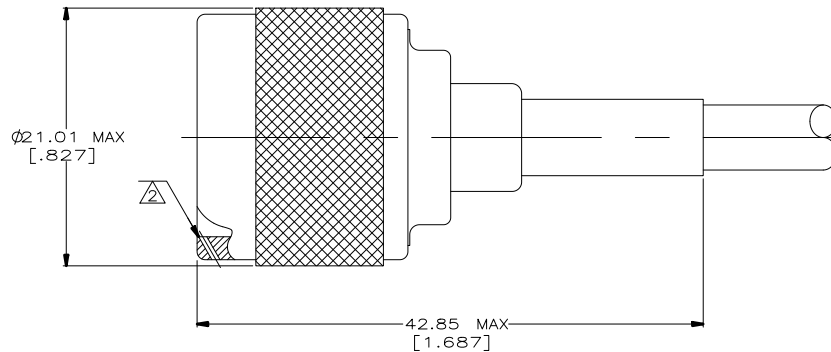
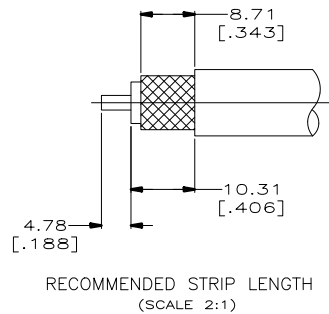
RELEASED FOR PUBLICATION

ALL RIGHTS RESERVED.

© COPYRIGHT - TE Connectivity Ltd.

REVISIONS

P	LTR	DESCRIPTION	DATE	DWN	APVD
	F2	REVISED PER ECO-20-002610	25FEB2020	RZ	RS



OBSELETE	RG-142/U,142A/U & 142B/U	225382-3	225343-4	225342-3	225361-7
OBSELETE	RG-142/U,142A/U & 142B/U	225382-3	225343-4	225342-3	225361-6
SUPERSEDED BY 5225361-4	RG-142/U,142A/U & 142B/U	225382-2	225343-4	225342-1	225361-4
	RG-55A/U & 223/U	225382-2	225343-2	225342-1	225361-2
	RG-58A/U & 58C/U	225381-2	225343-2	225342-1	225361-1
	CABLE SIZE	③ FERRULE QTY=1	② CONTACT QTY=1	① PLUG ASSY QTY=1	PART NUMBER

1. PARTS PACKAGED UNASSEMBLED.

② THREE SAFETY WIRE HOLES Ø0.61 [.024] MIN, EQUALLY SPACED AROUND CIRCUMFERENCE.

3. CRIMP TOOL: 220045-2

4. SEE I.S. 2028-1

⑤ BULK PACKAGED VERSION OF 225361-6

THIS DRAWING IS A CONTROLLED DOCUMENT.

DWN B. SCOTT 06-06-91		TE Connectivity PLUG, SERIES N		RESTRICTED TO	
CHK B. MOYER 1-3-92				-	
APVD -		PRODUCT SPEC -		SIZE	
APPLICATION SPEC -		APPLICATION SPEC -		CAGE CODE	
MATERIAL -		WEIGHT 0.000000		DRAWING NO	
FINISH -		A3 00779		©=225361	
DIMENSIONS: mm		CUSTOMER DRAWING		SCALE 4:1	
TOLERANCES UNLESS OTHERWISE SPECIFIED:		0 PLC ± -		SHEET 1 of 1	
1 PLC ± -		1 PLC ± 0.41 [.016]		REV F2	
2 PLC ± -		3 PLC ± -			
3 PLC ± -		4 PLC ± -			
4 PLC ± -		ANGLES ± -			

单击下面可查看定价，库存，交付和生命周期等信息

[>>TE Connectivity\(泰科\)](#)