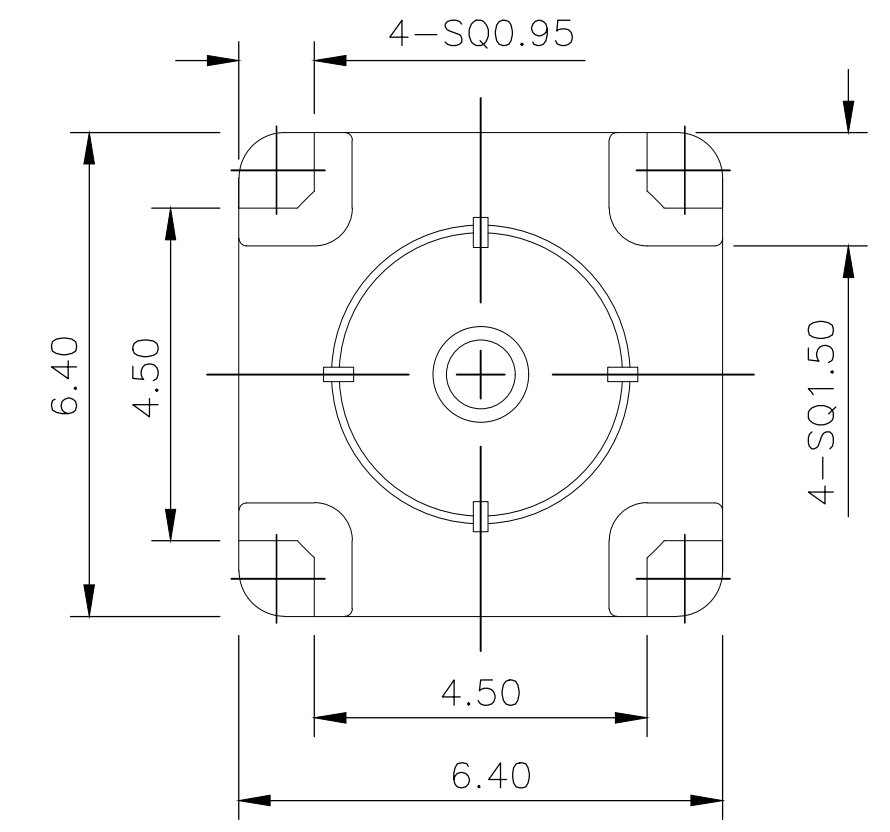
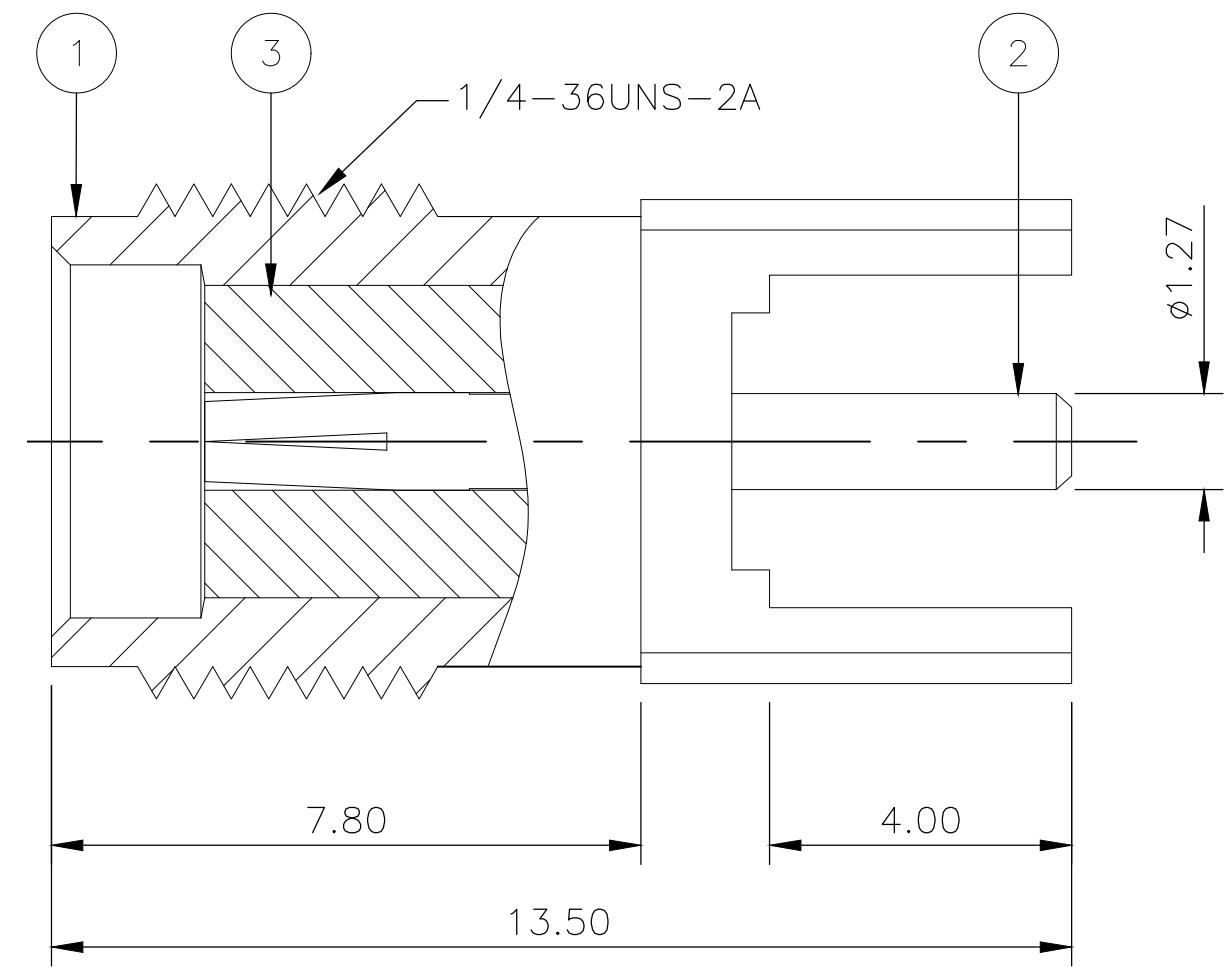
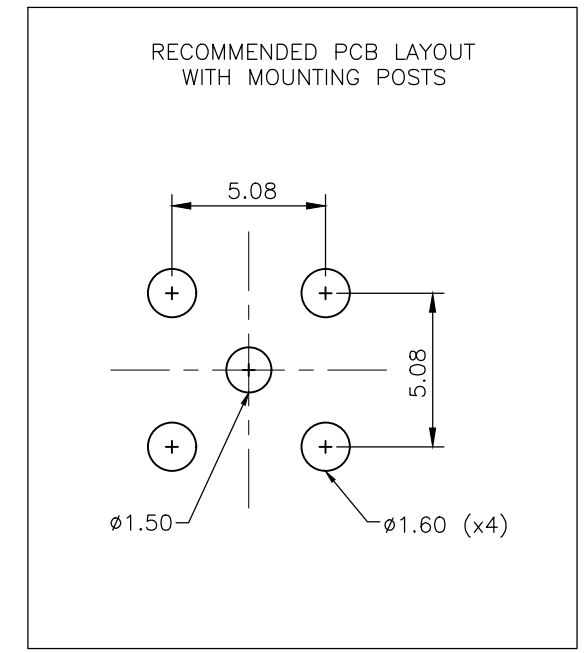


THIS DRAWING IS UNPUBLISHED. RELEASED FOR PUBLICATION JULY, 2006.  
 © COPYRIGHT 2006 By - ALL RIGHTS RESERVED.

REVISIONS					
P	LTR	DESCRIPTION	DATE	DWN	APVD
	C	REVISED PER ECR-19-016112	05NOV2019	ED	RS

- NOTES**
- 1 SINGLE PACK IN ACCORDANCE WITH AMP SPEC 107-3275
  - 2 100 TRAY PACK IN ACCORDANCE WITH AMP SPEC 107-3275
  - 3 Au PLATING
  - 4 TAPE AND REEL PACKAGING, 350/REEL X 4 = 1400 PER BOX, DETAIL PARKAGING INFORMATION IS IN PAGE 2



ELECTRICAL	MECHANICAL	ENVIRONMENTAL
Impedance (Ohm) <u>50</u>	Interface Dimension MIL-STD-348B Fig. <u>310-2</u>	TEMPERATURE RANGE <u>-65°C TO + 165°C</u>
Frequency Range (GHz) <u>DC to 6GHz</u>	Recommended Coupling Torque <u>7 to 10 In-Lbs</u>	THERMAL SHOCK <u>MIL-STD-202, METH.107, COND.B</u>
Voltage Rating (Peak) <u>335 V RMS</u> @ Sea Level	Force to Engage and Disengage (In/lbs) <u>2.0 MAX</u>	CORROSION <u>MIL-STD-202, METH.101, COND.B</u>
Insulation Resistance (MIN.) <u>1000 M ohms</u>	Center Contact Captivation Axial (Lbs) <u>3.0</u> Radial (In/Oz) <u>N/A</u>	VIBRATION <u>MIL-STD-202, METH.204, COND.B</u>
Contact Resistance (Milliohms MAX) Center Contact <u>3.0</u> Outer Contact <u>2.0</u>	Cable Retention Axial (Lbs) <u>N/A</u>	SHOCK <u>MIL-STD-202, METH.213, COND.I</u>
Dielectric Withstand Voltage: <u>1000 V RMS Max</u>	Mating cycles <u>500</u> cycles	MOISTURE RESISTANCE <u>MIL-STD-202, METH.106,</u>
Insertion Loss : <u>N/A dB</u>		ROHS <u>COMPLIANT</u>
VSWR: <u>1.3 MAX</u>		
RF leakage: <u>N/A</u>		
3rd Intermodulation: <u>N/A</u>		

THIS DRAWING IS A CONTROLLED DOCUMENT.

DIMENSIONS: mm	TOLERANCES UNLESS OTHERWISE SPECIFIED:
	0 PLC ± -
	1 PLC ± -
	2 PLC ± 0.1
	3 PLC ± -
	4 PLC ± -
	ANGLES ± -
MATERIAL SEE TABLE	FINISH -

DWN ANSON MA 19FEB09	<b>STE</b> TE Connectivity			
CHK RITA ZUO 19FEB09				
APVD BOB ZHAO 19FEB09	NAME			
PRODUCT SPEC 108-112000	SMA STRAIGHT PCB SOCKET DIE CAST			
APPLICATION SPEC	SIZE	CAGE CODE	DRAWING NO	RESTRICTED TO
WEIGHT 0.000000	A3	00779	C-1814832	-
CUSTOMER DRAWING	SCALE NTS	SHEET 1 OF 2	REV C	

QUANTITY PER ASSY	PARTS LIST
1	PTFE INSULATOR 3
1	BERYLLIUM COPPER SOCKET 2
1	ZINC ALLOY BODY 1
5	MATERIAL DESCRIPTION ITEM

THIS DRAWING IS UNPUBLISHED.

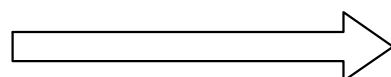
RELEASED FOR PUBLICATION , JULY 2006

ALL RIGHTS RESERVED.

© COPYRIGHT 2006 By -

REVISIONS

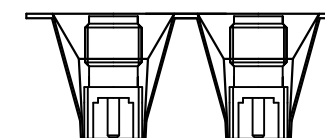
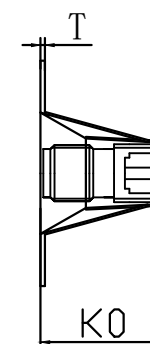
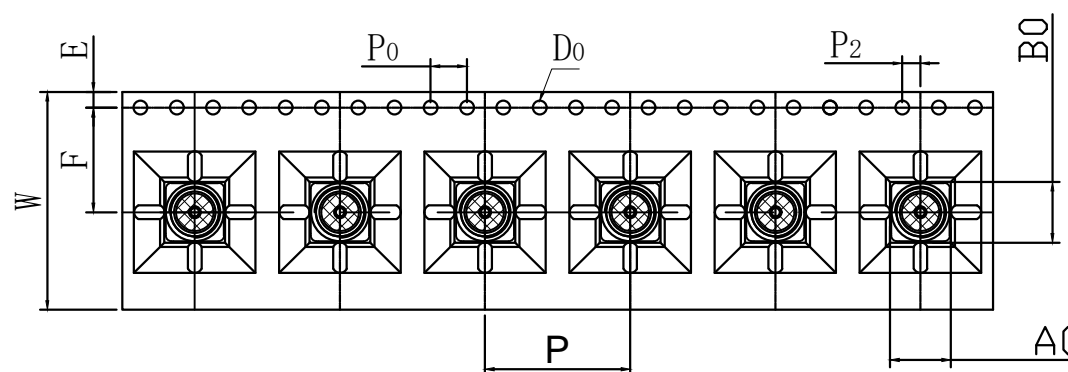
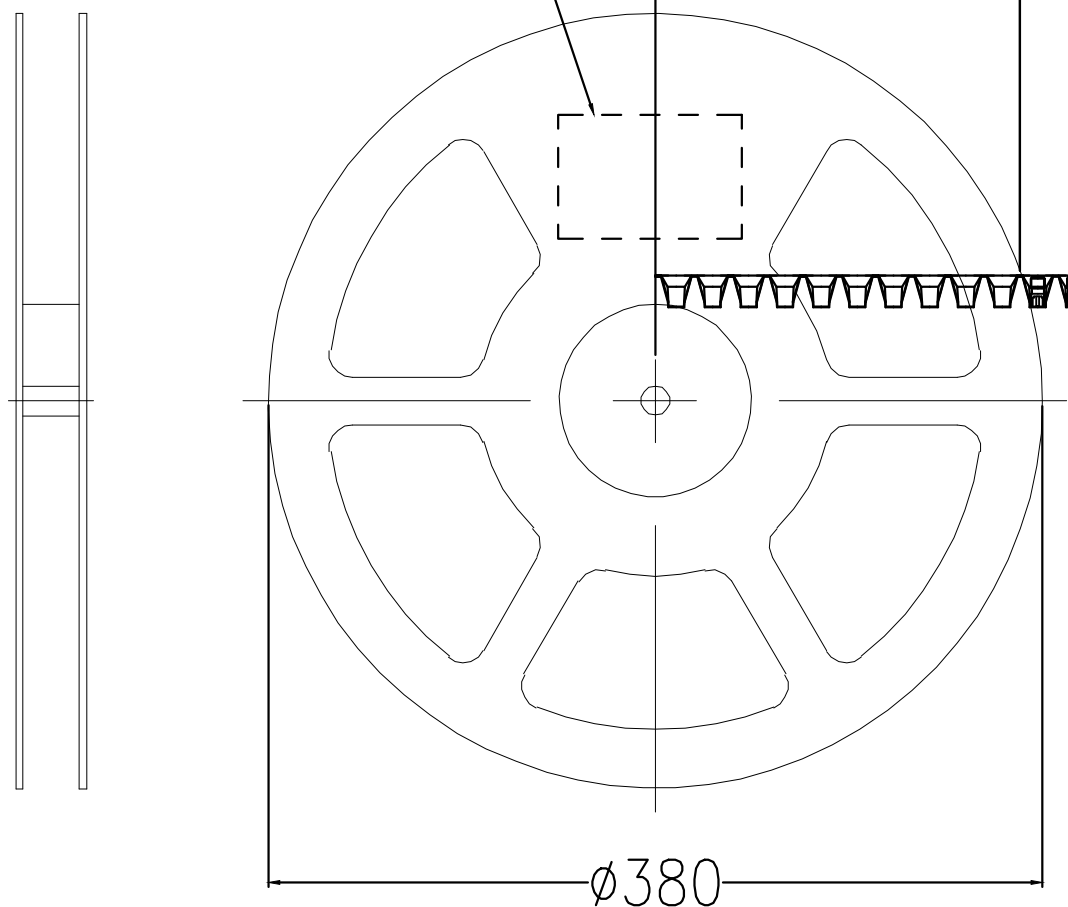
P	LTR	DESCRIPTION	DATE	DWN	APVD
-	-	SEE SHEET 1	-	-	-



Direction of loading and discharging

LABEL

BLANK 10PLCS 350 PCS BLANK 10 PLCS



symbol	AO	BO	KO	PO	P	P2
Spec	6.70±0.10	6.70±0.10	13.80±0.10	4.00±0.10	16.0±0.10	2.00±0.10
symbol	W	T	E	F	DO	
Spec	24.0±0.30	0.50 <sup>+0.05</sup> <sub>-0.00</sub>	1.75±0.10	14.2±0.10	1.50±0.10	

THIS DRAWING IS A CONTROLLED DOCUMENT.		DWN ANSON MA 19FEB09	<b>TE Connectivity</b>														
DIMENSIONS: mm		CHK RITA ZUO 19FEB09															
TOLERANCES UNLESS OTHERWISE SPECIFIED:		APVD BOB ZHAO 19FEB09	NAME SMA STRAIGHT PCB SOCKET DIE CAST														
<table border="0"> <tr><td>0 PLC</td><td>± -</td></tr> <tr><td>1 PLC</td><td>± -</td></tr> <tr><td>2 PLC</td><td>± 0.1</td></tr> <tr><td>3 PLC</td><td>± -</td></tr> <tr><td>4 PLC</td><td>± -</td></tr> <tr><td>ANGLES</td><td>± -</td></tr> </table>		0 PLC	± -	1 PLC	± -	2 PLC	± 0.1	3 PLC	± -	4 PLC	± -	ANGLES	± -	PRODUCT SPEC 108-112000	RESTRICTED TO -		
0 PLC	± -																
1 PLC	± -																
2 PLC	± 0.1																
3 PLC	± -																
4 PLC	± -																
ANGLES	± -																
MATERIAL SEE TABLE		FINISH -	APPLICATION SPEC -	SIZE A3	CAGE CODE 00779	DRAWING NO C-1814832											
		WEIGHT 0.000000	SCALE NTS		SHEET 2 OF 2	REV C											
		CUSTOMER DRAWING															

单击下面可查看定价，库存，交付和生命周期等信息

[>>TE Connectivity\(泰科\)](#)