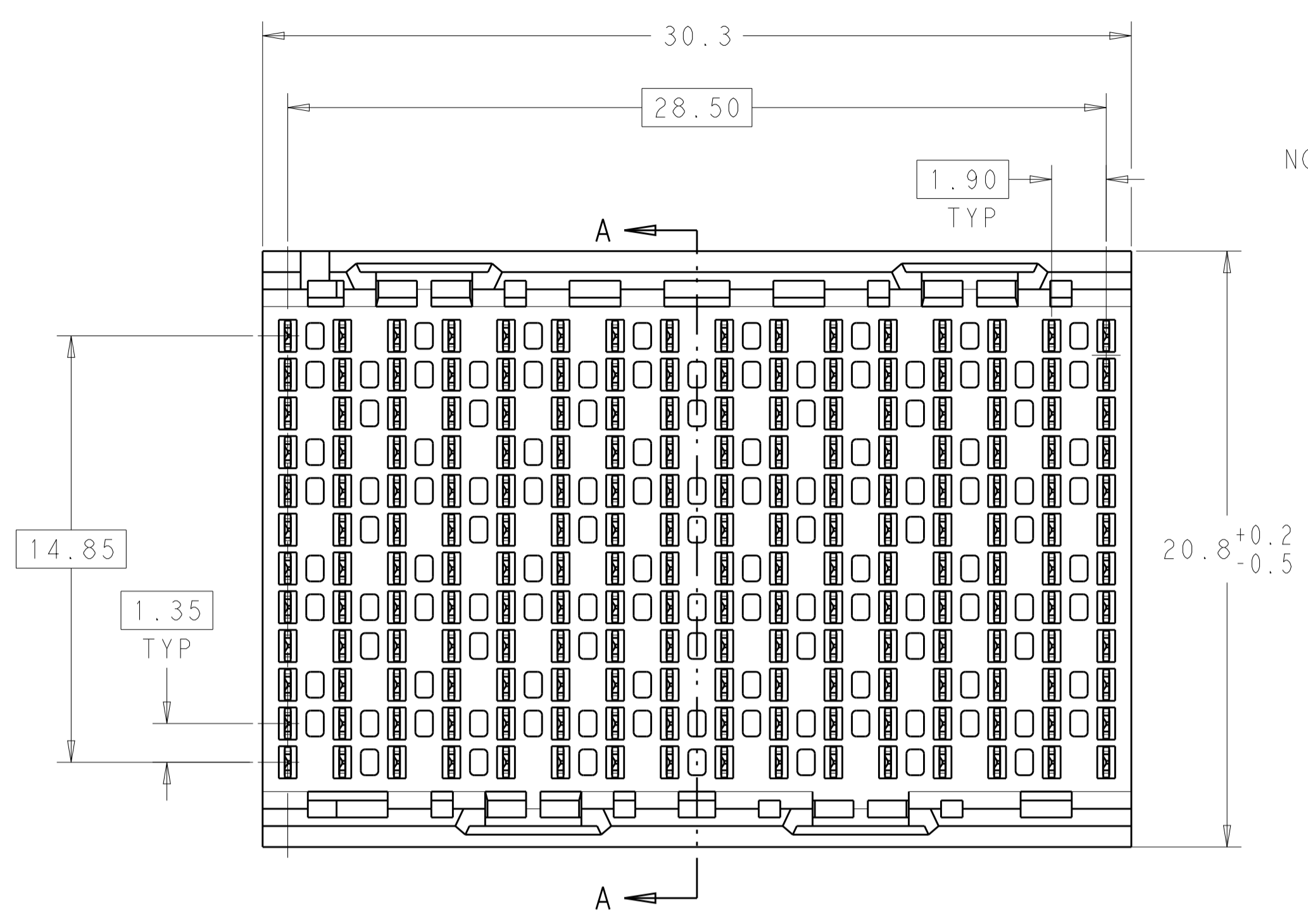
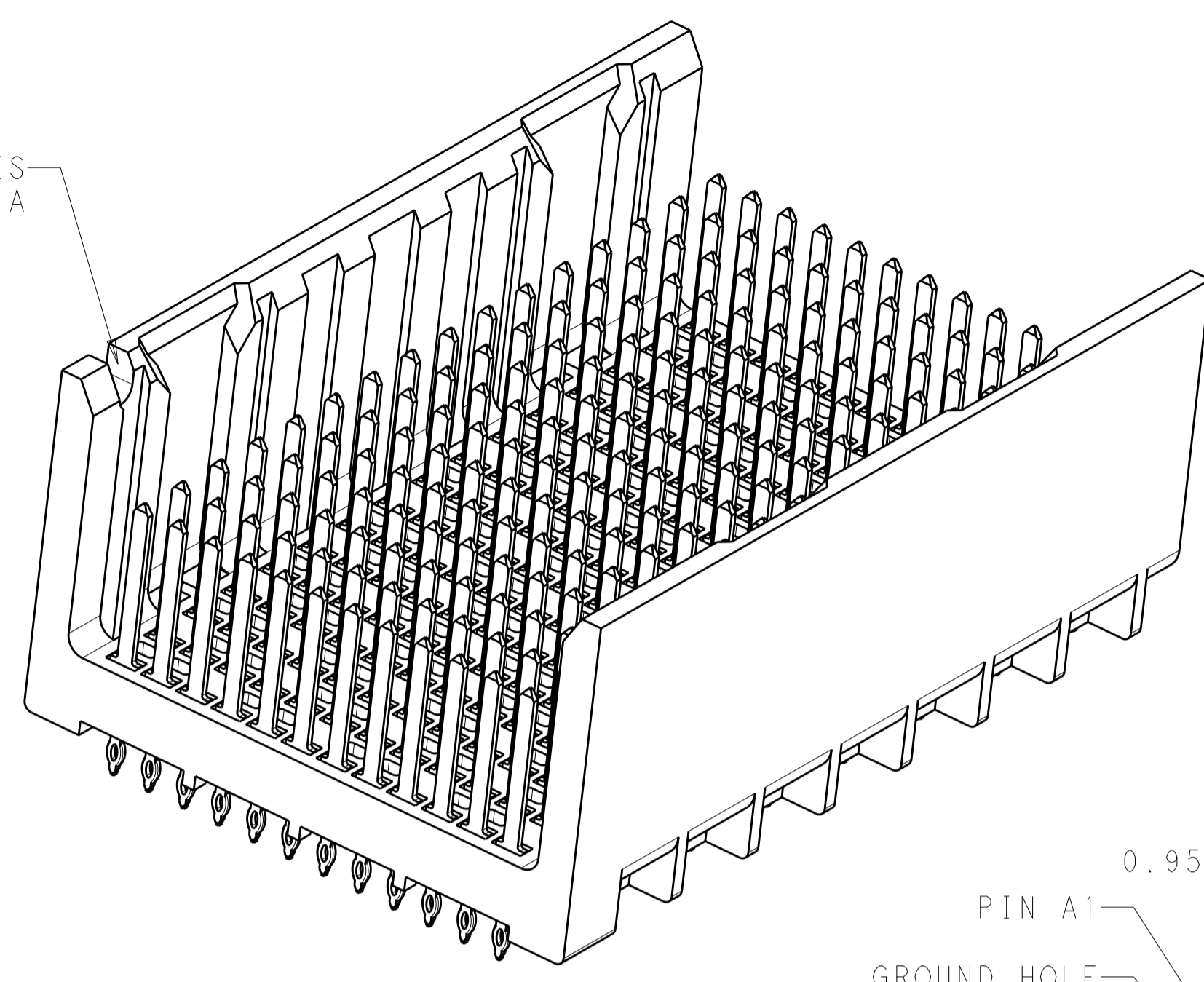


LOC	DIST	REVISIONS			
P	LTN	DESCRIPTION	DATE	DWN	APVD
A		REVISED PER ECO-15-001494	05FEB2015	AP	DD

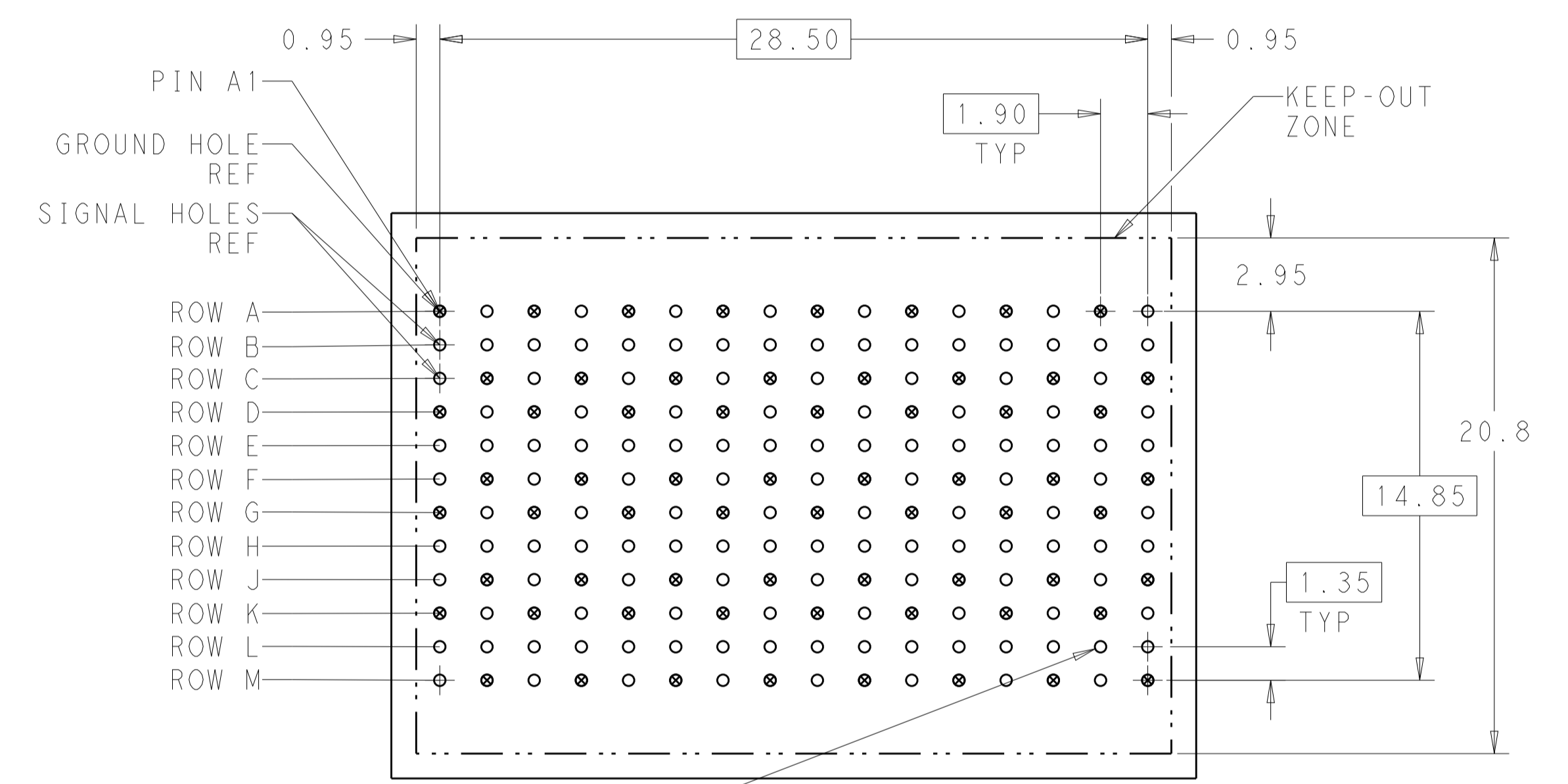


NOTCH DESIGNATES ROW A



⚠ MATERIAL:
HOUSING: LCP, GLASS FILLED, UL94V-0.
TERMINALS: HIGH PERFORMANCE COPPER ALLOY.

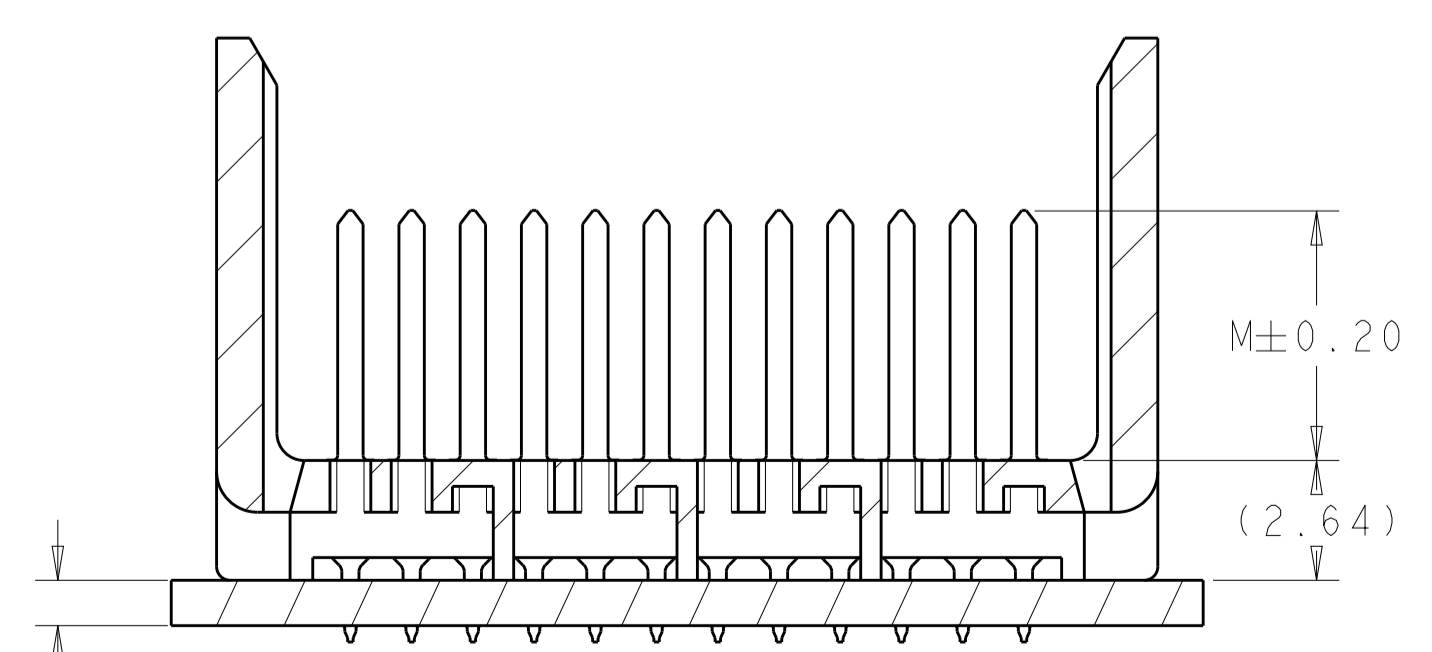
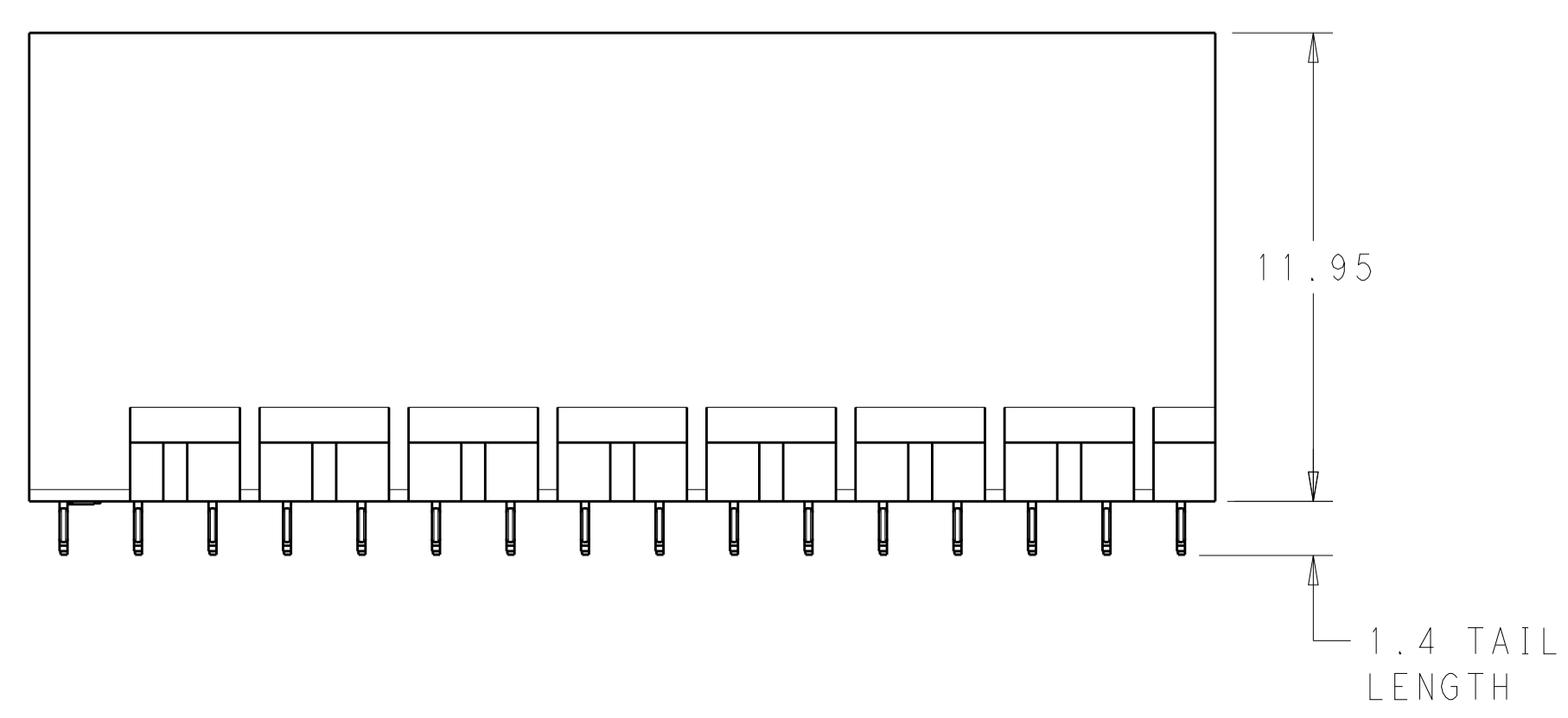
⚠ FINISH:
30μ" MIN GOLD IN CONTACT AREA. SELECTIVE TIN ON PCB TAILS, NICKEL OVERALL.



192X $\varnothing 0.46 \pm 0.05$ PLATED THRU HOLE

192X $\varnothing 0.55 \pm 0.013$ DRILL HOLE
 $\varnothing 0.10$

UNGUIDED BACKPLANE HOLE PATTERN (CONNECTOR SIDE)



SECTION A-A

THIS DRAWING IS A CONTROLLED DOCUMENT.		DWN: KIRAN HOLAL 09JAN2013	TE Connectivity
DIMENSIONS: mm		CHK: D. DIXON 09JAN2013	
TOLERANCES UNLESS OTHERWISE SPECIFIED: 0 PLC ± 1 PLC ±0.25 2 PLC ±0.13 3 PLC ± 4 PLC ± ANGLES ±		APVD: D. DIXON 09JAN2013	
MATERIAL: SEE TABLE		NAME: IMPACT, 4 PAIR, 16 COLUMN, HEADER UNGUIDED, OPEN END WALL SIGNAL MODULE, 0.46 PTH	
FINISH: SEE TABLE		SIZE: A1	RESTRICTED TO
WEIGHT: -		CAGE CODE: -	DRAWING NO: A100779
Customer Drawing		SCALE: 6:1	SHEET 1 OF 2

THIS DRAWING IS UNPUBLISHED. RELEASED FOR PUBLICATION 20
 © COPYRIGHT 20 BY - ALL RIGHTS RESERVED.

LOC	DIST	REVISIONS					
		P	LTN	DESCRIPTION	DATE	DWN	APVD
AD	00	-		SEE SHEET 1	-	-	-

FINISH	DIM M	PART NUMBER
$\triangle/2$	5.5	2007832-3
$\triangle/2$	4.9	2007832-2
$\triangle/2$	4.5	2007832-1

REFER TO WWW.TE.COM
FOR PRODUCT AVAILABILITY

THIS DRAWING IS A CONTROLLED DOCUMENT.		DWN KIRAN HOLH 09JAN2013	
		CHK D.DIXON 09JAN2013	
DIMENSIONS:	TOLERANCES UNLESS OTHERWISE SPECIFIED:	APVD D.DIXON 09JAN2013	NAME
mm	0 PLC ± 1 PLC ±0.25 2 PLC ±0.13 3 PLC ± 4 PLC ±	PRODUCT SPEC	IMPACT, 4 PAIR, 16 COLUMN, HEADER
	ANGLES ±	APPLICATION SPEC	UNGUIDED, OPEN END WALL
MATERIAL	FINISH SEE TABLE	WEIGHT	SIGNAL MODULE, 0.46 PTH
		Customer Drawing	SIZE CAGE CODE DRAWING NO RESTRICTED TO
			A100779C=2007832
			SCALE 5:1 SHEET 2 OF 2 REV A

单击下面可查看定价，库存，交付和生命周期等信息

[>>TE Connectivity\(泰科\)](#)