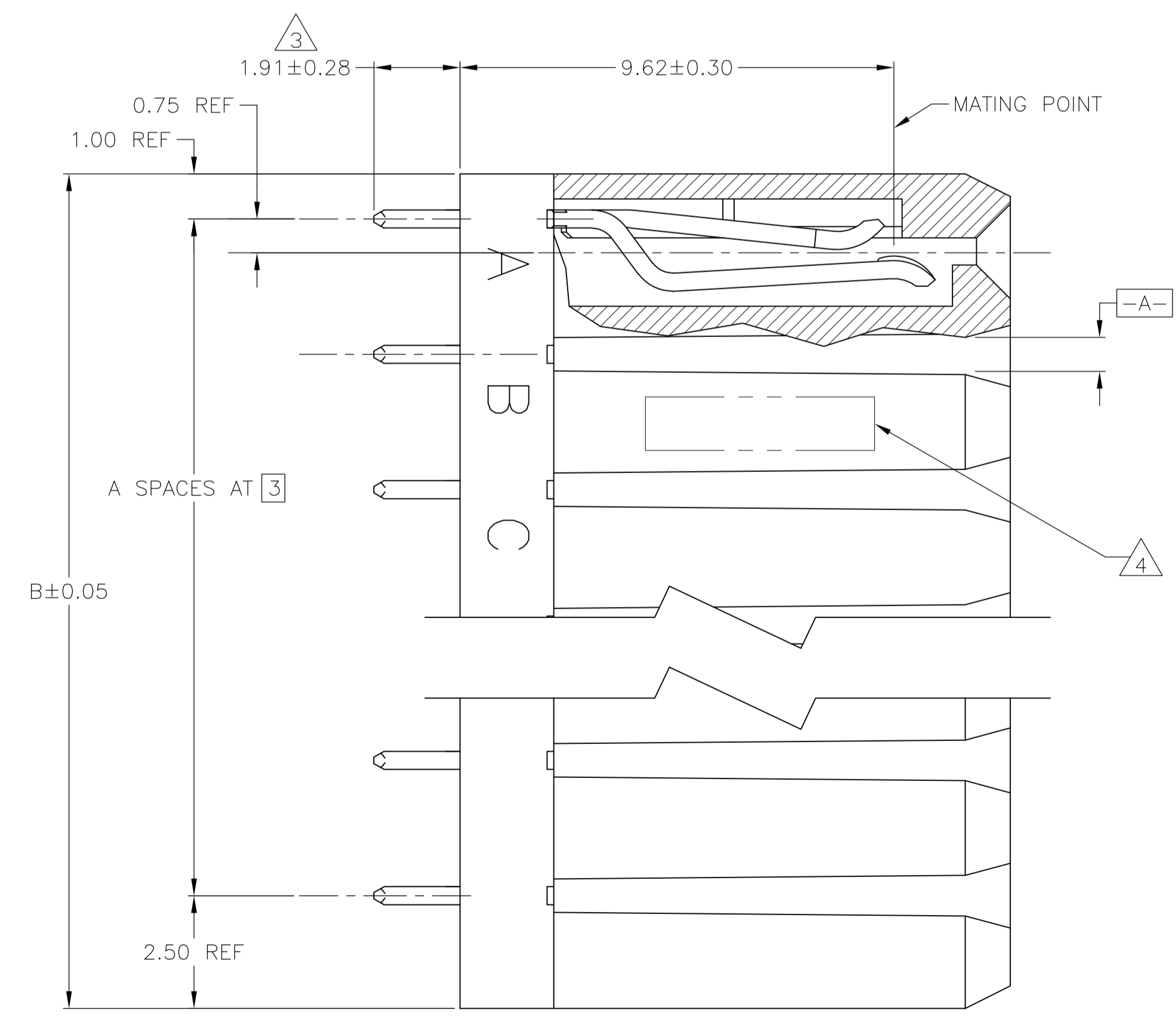
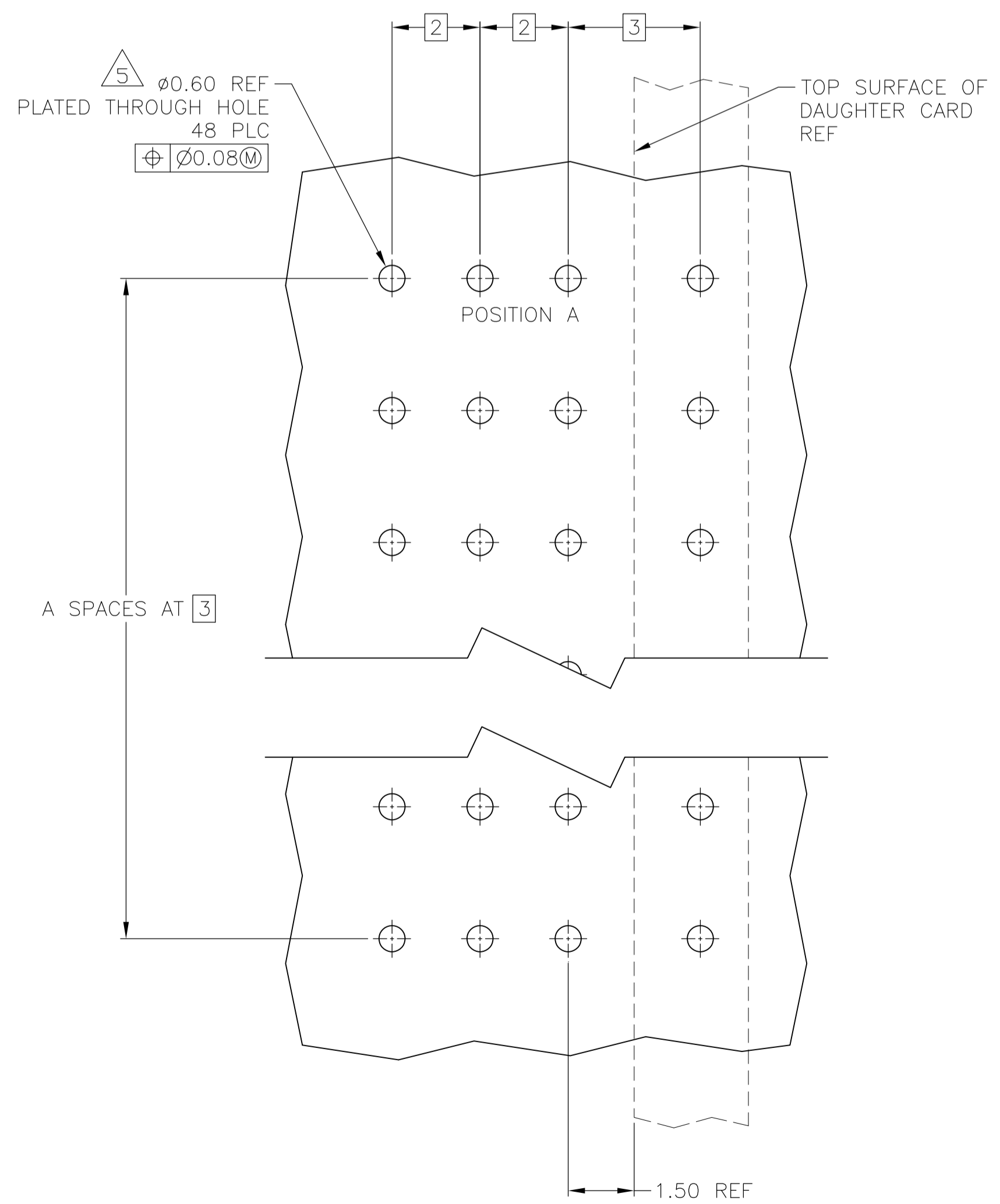
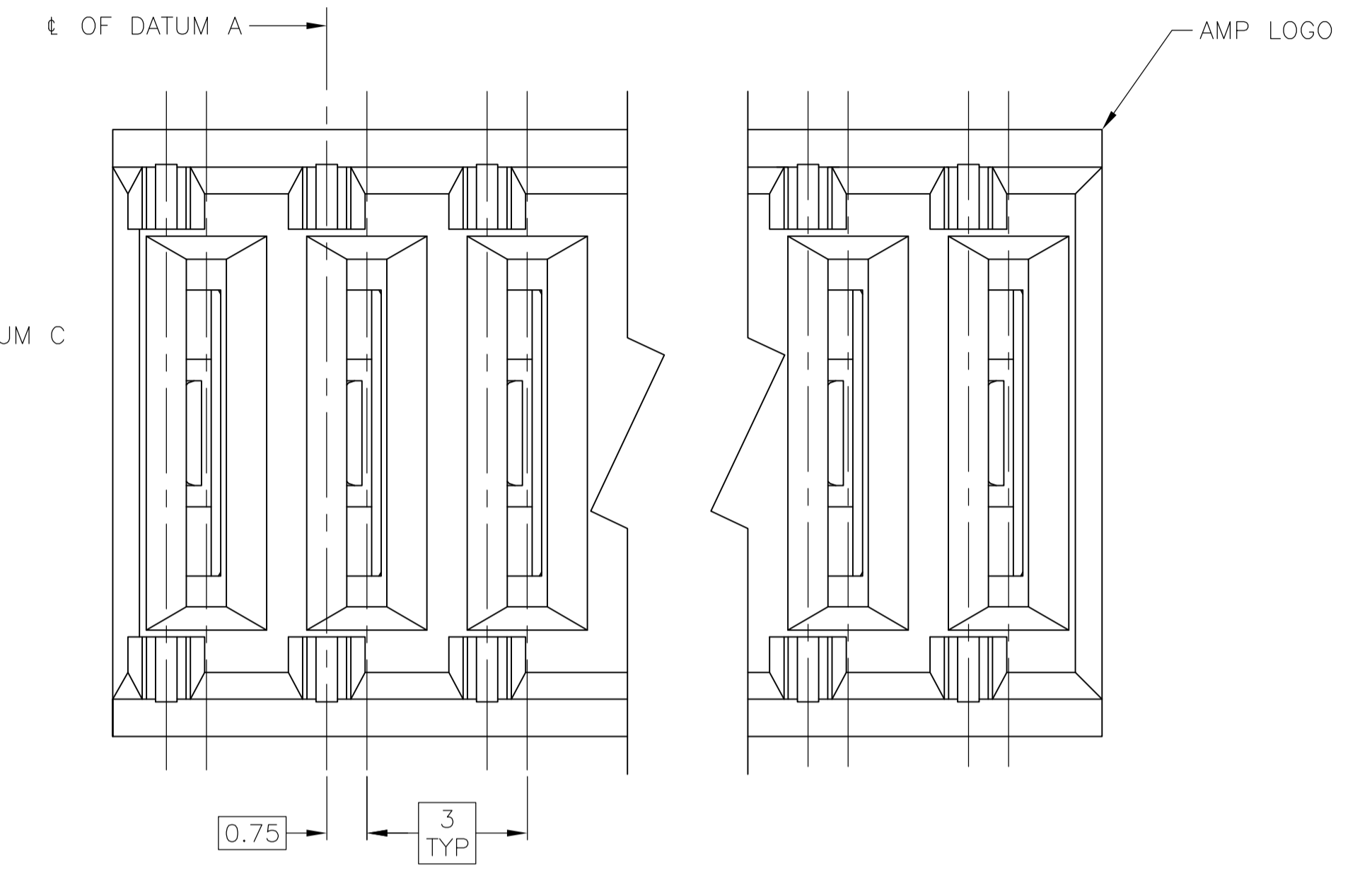
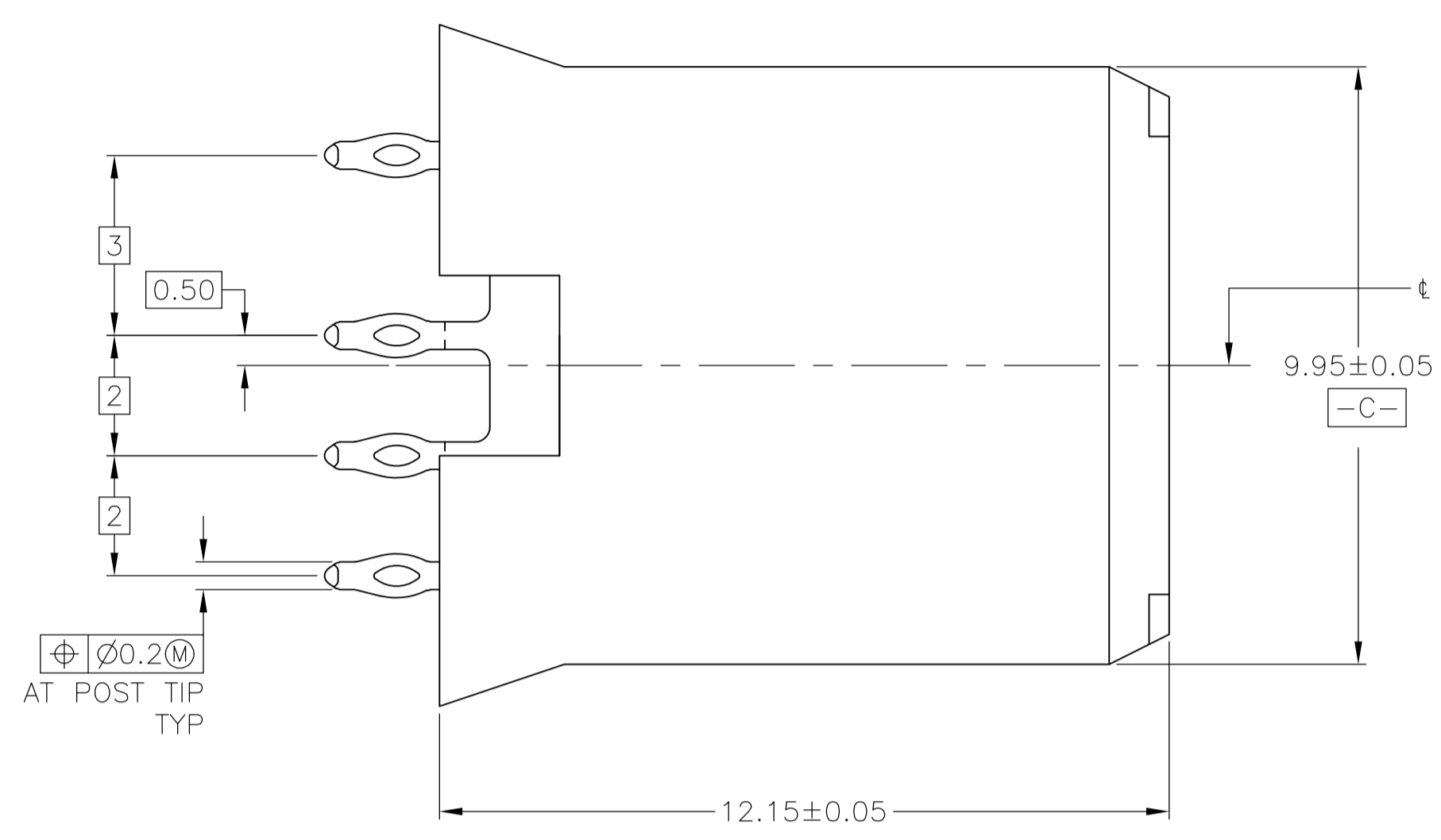
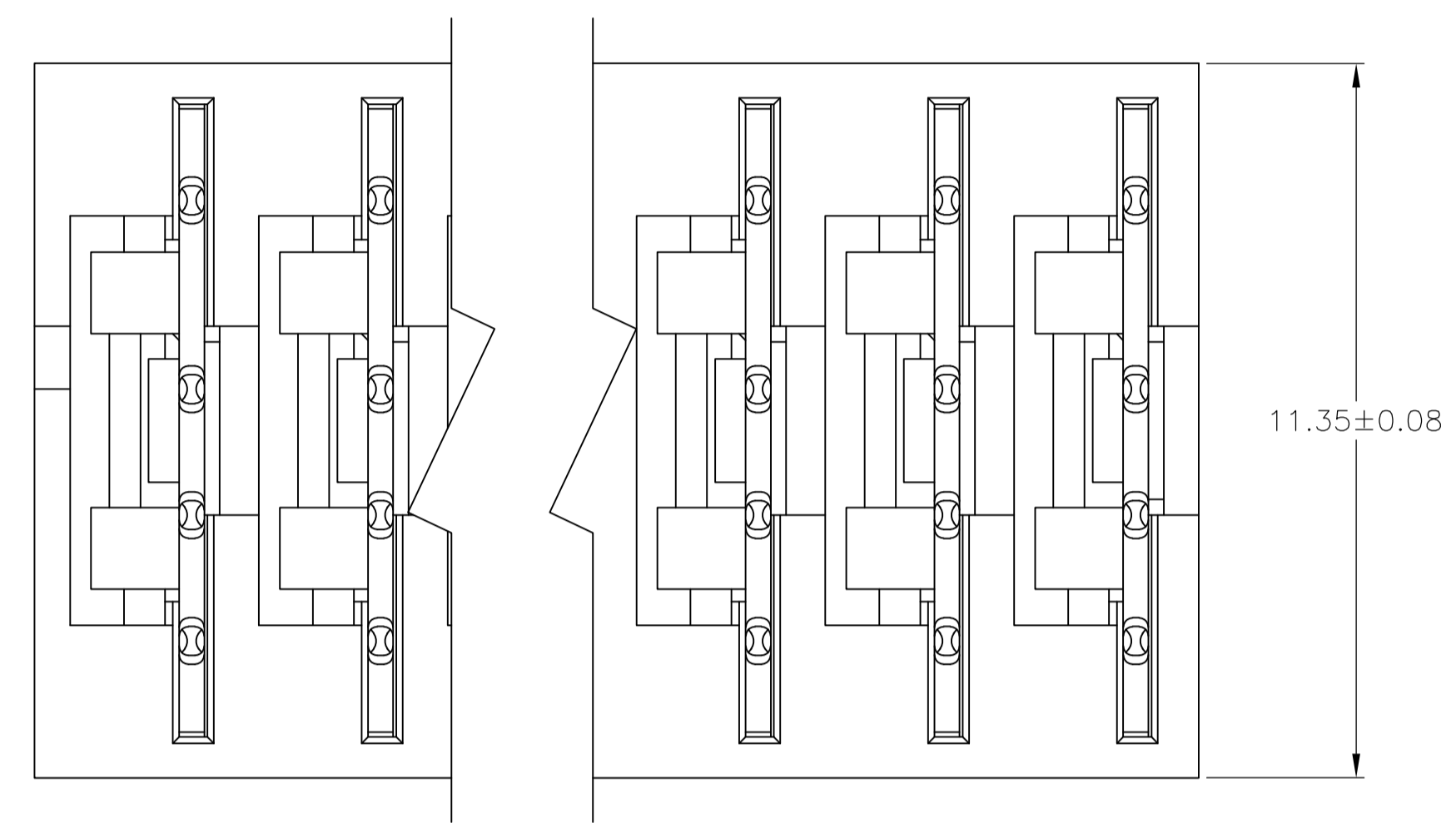


LOC		DIST		REVISIONS			
P	LTR	DATE	DMN	APVD			
AD	00	01	REV PER ECO-07-015274	27JUN2007	BC	RP	

- 1 HOUSING : POLYESTER, GRAY.  
CONTACT: HIGH CURRENT COPPER ALLOY.
- 2 CONTACT MATING AREA: 1.27µm MIN GOLD PLATE,  
ACTION PIN AREA, 0.5µm MIN TIN-LEAD PLATE,  
ALL OVER 1.27µm MIN NICKEL UNDERPLATE.
- 3 DIMENSION APPLIES AFTER CONNECTOR IS APPLIED TO PC BOARD.
- 4 DATE CODE THIS APPROXIMATE AREA, OPPOSITE SIDE.
- 5 REFERENCE APPLICATION SPEC 114-1103 FOR RECOMMENDED PLATED THRU HOLE DIAMETER AND PLATING THICKNESSES.



POSITION	B	A	PART NUMBER
12	36.5	11	1-120950-0
11	33.5	10	120950-9
10	30.5	9	120950-8
9	27.5	8	120950-7
8	24.5	7	120950-6
7	21.5	6	120950-5
6	18.5	5	120950-4
5	15.5	4	120950-3
4	12.5	3	120950-2
3	9.5	2	120950-1

RECOMMENDED PCB HOLE LAYOUT

THIS DRAWING IS A CONTROLLED DOCUMENT.

DIMENSIONS: mm	TOLERANCES UNLESS OTHERWISE SPECIFIED:	DIN B CARDO 29JUL04	12/9/99	Tyco Electronics Corporation Harrisburg, PA 17105-3608
0 PLC ± -	1 PLC ± -	R PATTERSON 12/9/99		NAME: RECEPTACLE ASSEMBLY, UNIVERSAL POWER MODULE
2 PLC ± 0.13	3 PLC ± -	R PATTERSON 12/9/99		SIZE: A1
4 PLC ± -	ANGLES ± -			SCALE: 10:1
MATERIAL 1	FINISH 2	WEIGHT -	APVD R PATTERSON	SHEET 1 OF 1
			PRODUCT SPEC	REV 01
			APPLICATION SPEC	
			RESTRICTED TO	
			CUSTOMER DRAWING	

单击下面可查看定价，库存，交付和生命周期等信息

[>>TE Connectivity\(泰科\)](#)