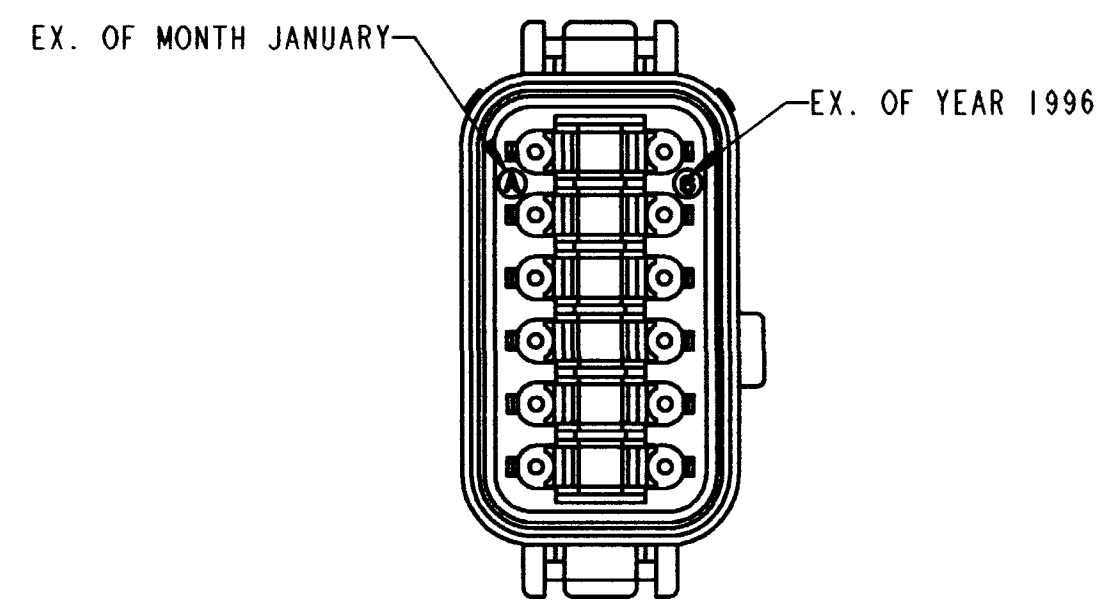


**3-DIMENSIONAL VIEW**

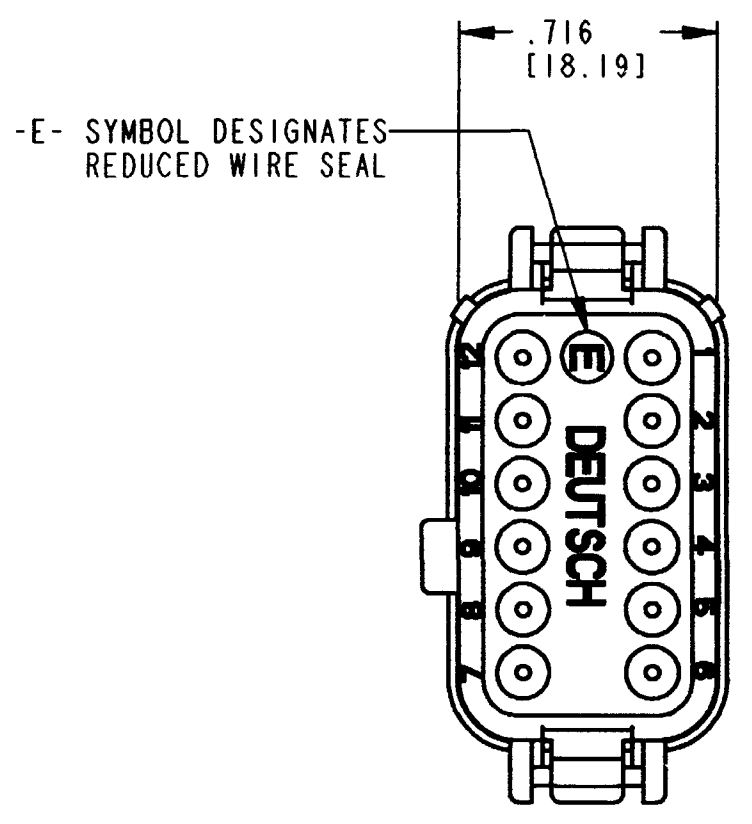
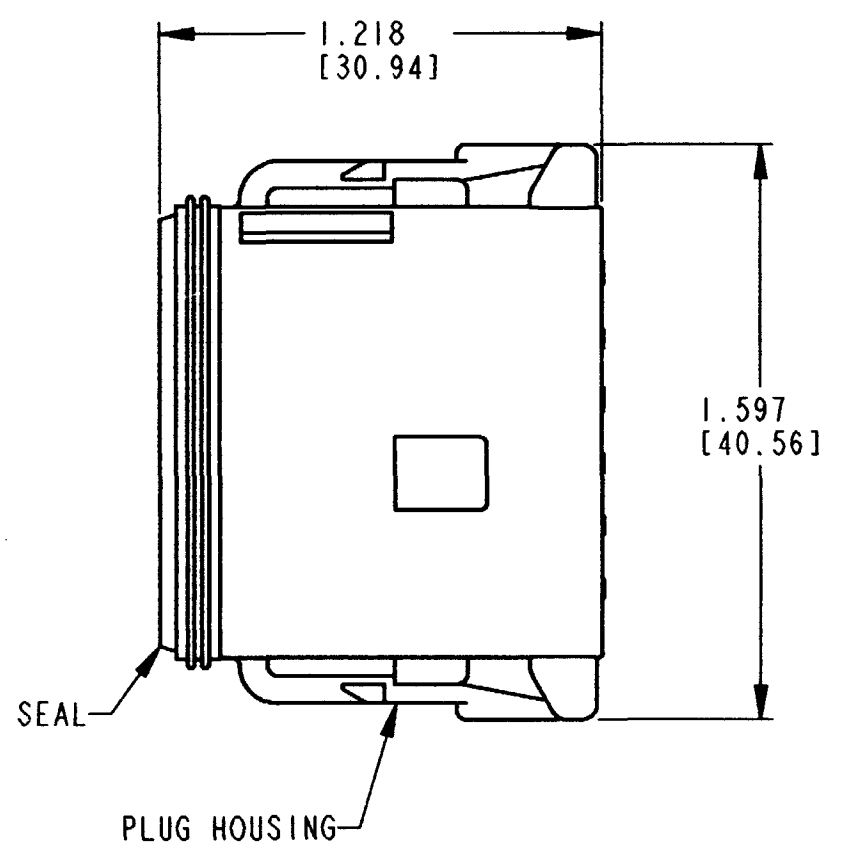


**DATE LEGEND**  
 YEARS TO BE REPRESENTED BY LAST NUMERICAL DIGIT  
 MONTH USES SEQUENTIAL ALPHA CHARACTERS, EX: A= JANUARY ...

- 5. MATERIAL: SHELL: PLASTIC  
SEAL: RUBBER
  - 4. THIS PLUG MATES WITH THE DT04-12PB-\*\*\*\* RECEPTACLE (\*\*\*\* = ALL MODIFICATIONS). CONSULT FACTORY FOR MODIFICATIONS.
  - 3. FOR CONTACTS AND WIRE PERFORMANCE AND APPLICATION CHARACTERISTICS SEE ENVELOPE DRAWING 0425-015-0000 AND 0425-017-0000.
  - 2. DIMENSIONS ARE ±.025[0.63] UNLESS OTHERWISE SPECIFIED.
  - 1. DIMENSIONS ARE IN INCHES [MILLIMETERS].
- NOTES:

REV  
A DT06-12SB-CE06

REVISIONS			
SYM	DESCRIPTION	DATE	APPROVED
NC	NEW RELEASE PER E.O. P16570	3/7/00	D.M.
A	REVISED PER E.O. P19020	9-6-05	ROR



CONTACT SIZE	MIN. INSUL O.D.	MAX. INSUL O.D.	WIRE RANGE [mm <sup>2</sup> ] REF ONLY
16	.053 [1.35]	.120 [3.05]	14-20 AWG [2.0-0.5]

SIGNATURE & DATE	
DR	S. THEIS 3/1/00
CHK	<i>[Signature]</i> 9/1/05
PE	<i>[Signature]</i> 9/1/05
APPD	<i>[Signature]</i> 9-1-05
SCALE	NONE
WT	---

12 WAY PLUG  
 -CE06 MOD.  
 -B- KEY  
 COLOR: BLACK  
 DT SERIES

ENVELOPE

CP	MATL. CODE
<b>The Deutsch Company</b> DEUTSCH I.P.D. 3850 INDUSTRIAL AVE. HEMET, CALIF. 92545	
<b>B</b>	<b>DT06-12SB-CE06</b>
DWG SIZE	CODE 11139 SHEET 1 OF 1

单击下面可查看定价，库存，交付和生命周期等信息

[>>TE Connectivity\(泰科\)](#)