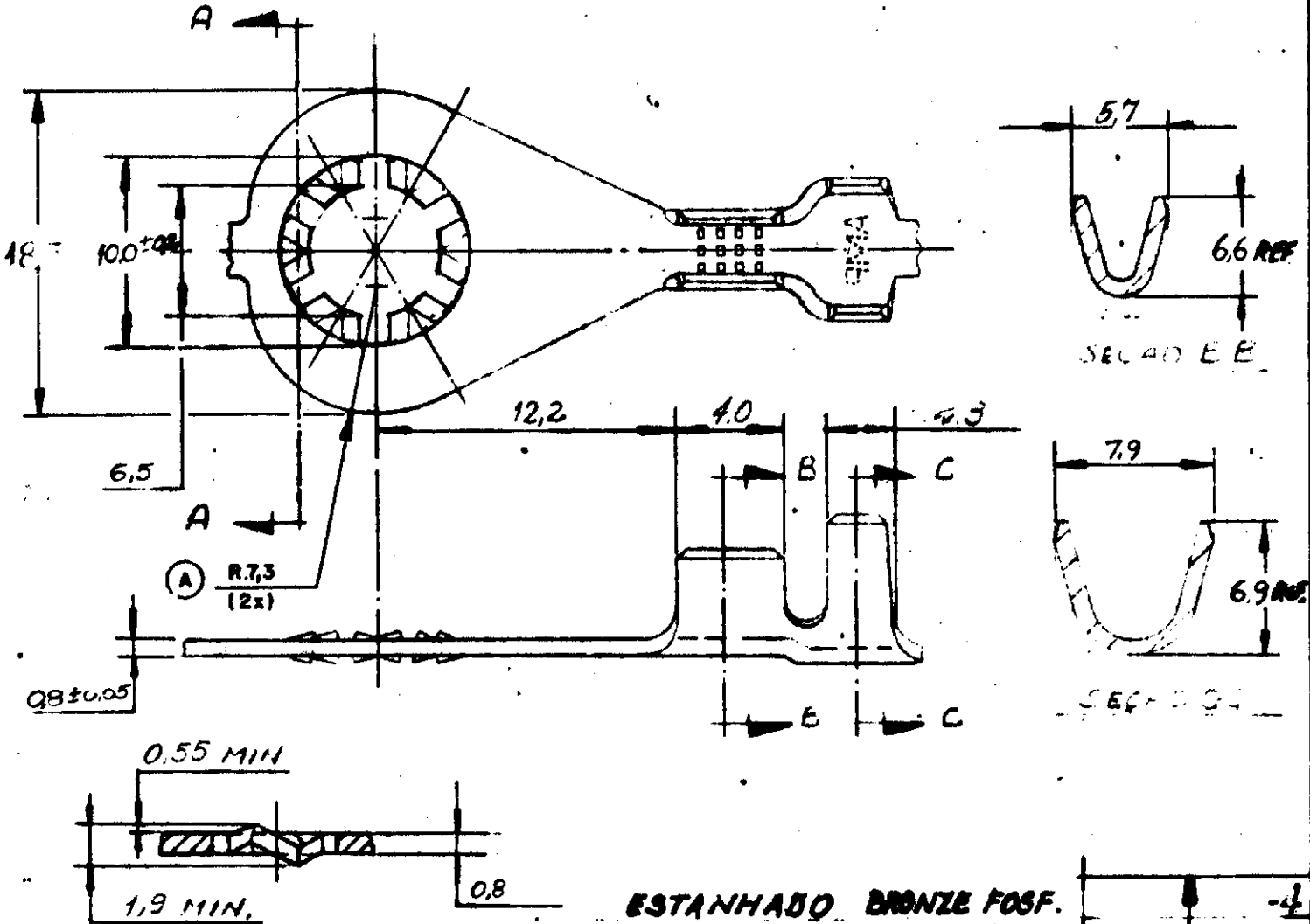


© Copyright 1982 by AMP DO BRASIL - S. P. All International Rights Reserved. AMP Incorporated products covered by U. S. and Foreign patents and/or patents pending.

REVISIONS

LTP	DESCRIPTION	DATE	APPROVED	P/F
0	ERA PEL-29268	6-SEP-90	PF [Signature]	
A	REVISADO	6-6-91	NO. [Signature]	



SECÃO A-A

ESTANHADO BRONZE FOSF.
 — # — BRONZE FOSF.
 ESTANHADO LATÃO
 — # — LATÃO

	-4
	-3
	-2
881599	-1

ACABAMENTO MATERIAL

PART NO

UNLESS OTHERWISE SPECIFIED DIMENSIONS ARE IN (MM) TOLERANCES ON: DECIMALS ± 0.03 ANGLES ± 1°

CONTRACT NO
 DR: [Signature]
 CHK: [Signature]

TOLERANCE



AMP DO BRASIL
 São Paulo - Brasil

MATERIAL
 VER TABELA

APPL
 APPD

NAME
RING TONGUE ANTIROTATIONAL

FINISH
 VER TABELA

WIRE-RANGE
 4-60 mm²
 INS-RANGE
 4-53 mm

SIZE
A

LOC AP.

DRAWING NO
881599

SCALE

SHEET

P/F

单击下面可查看定价，库存，交付和生命周期等信息

[>>TE Connectivity\(泰科\)](#)