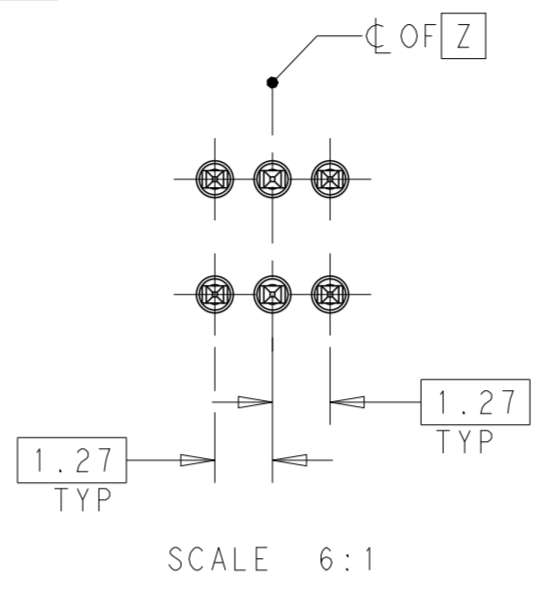
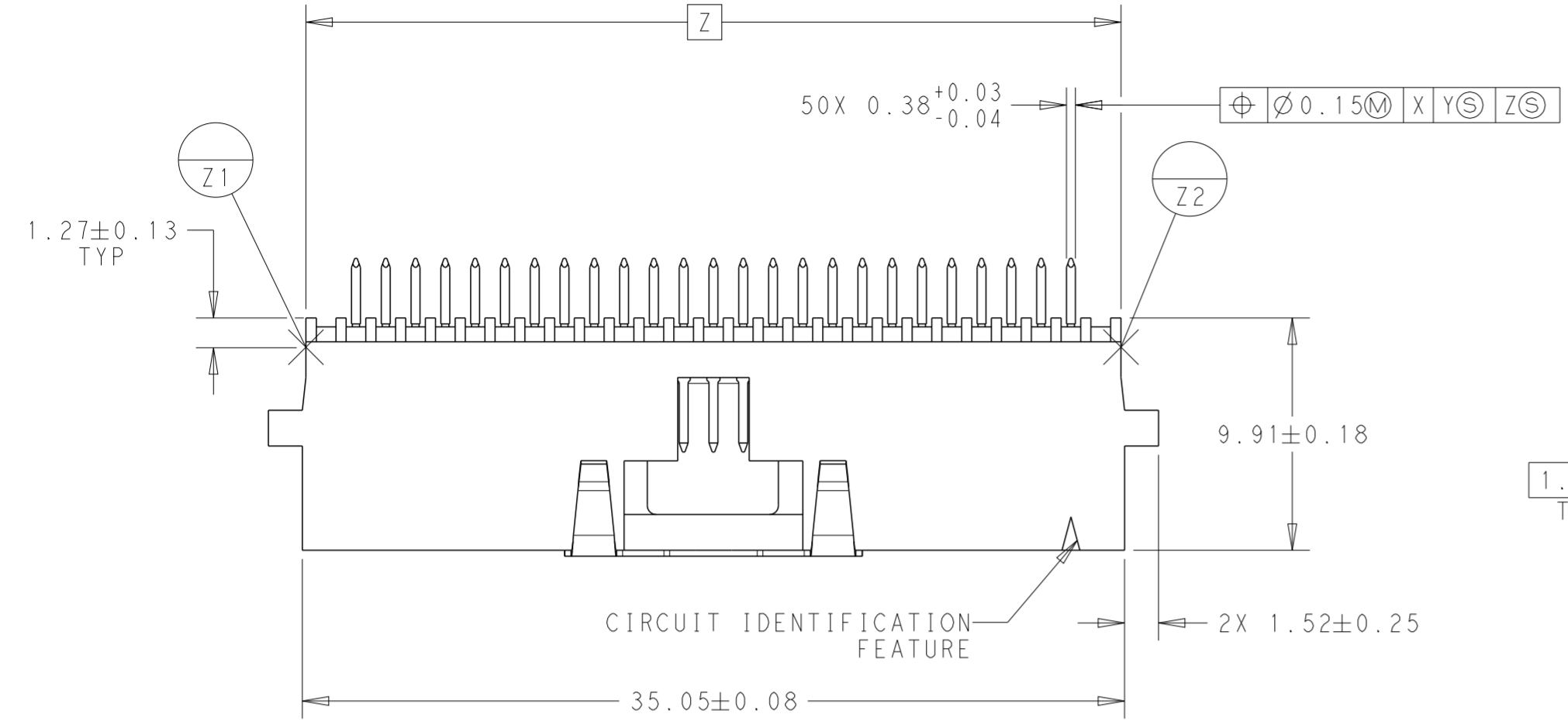
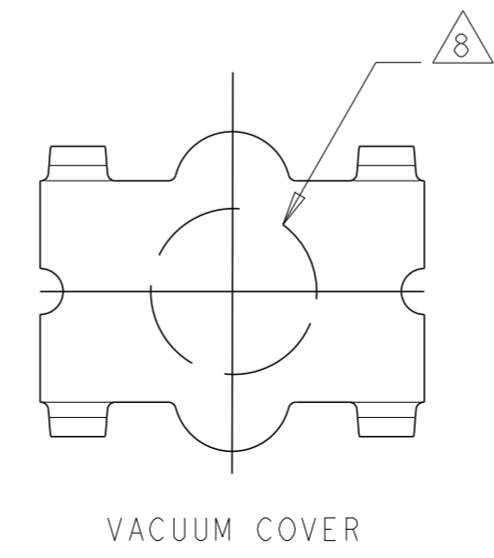
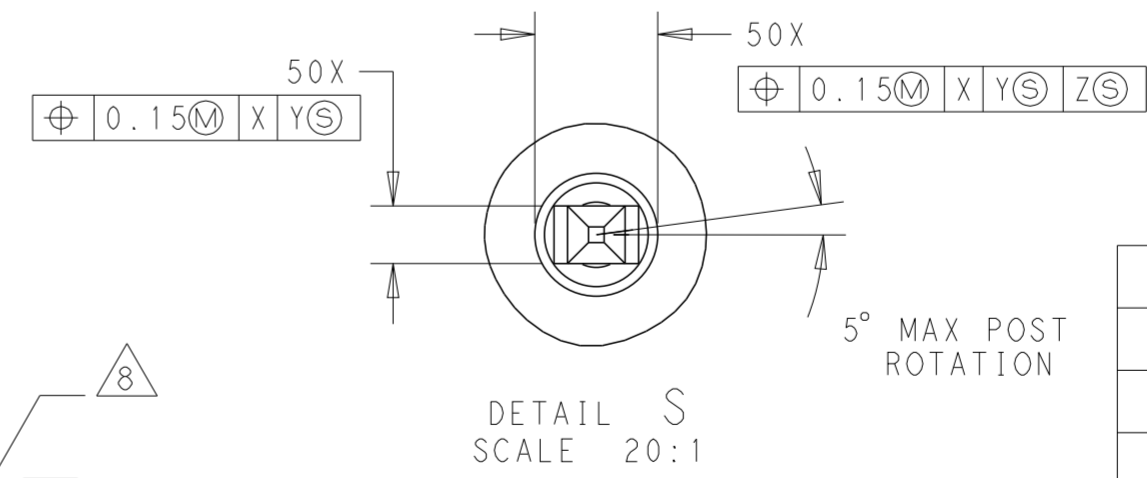
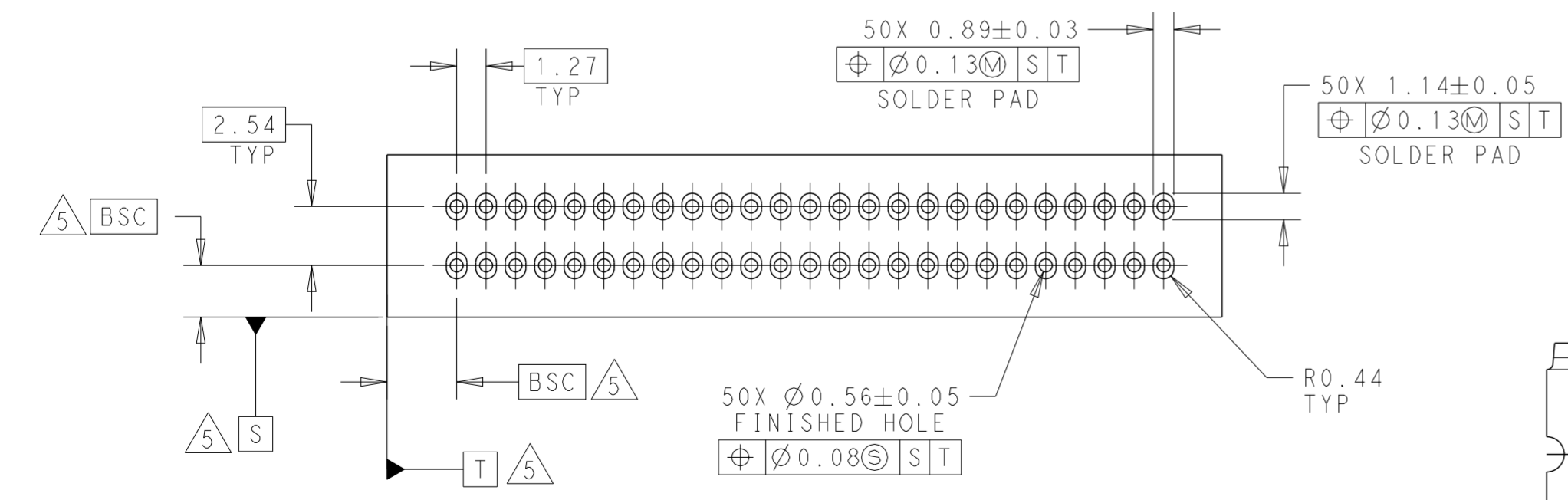
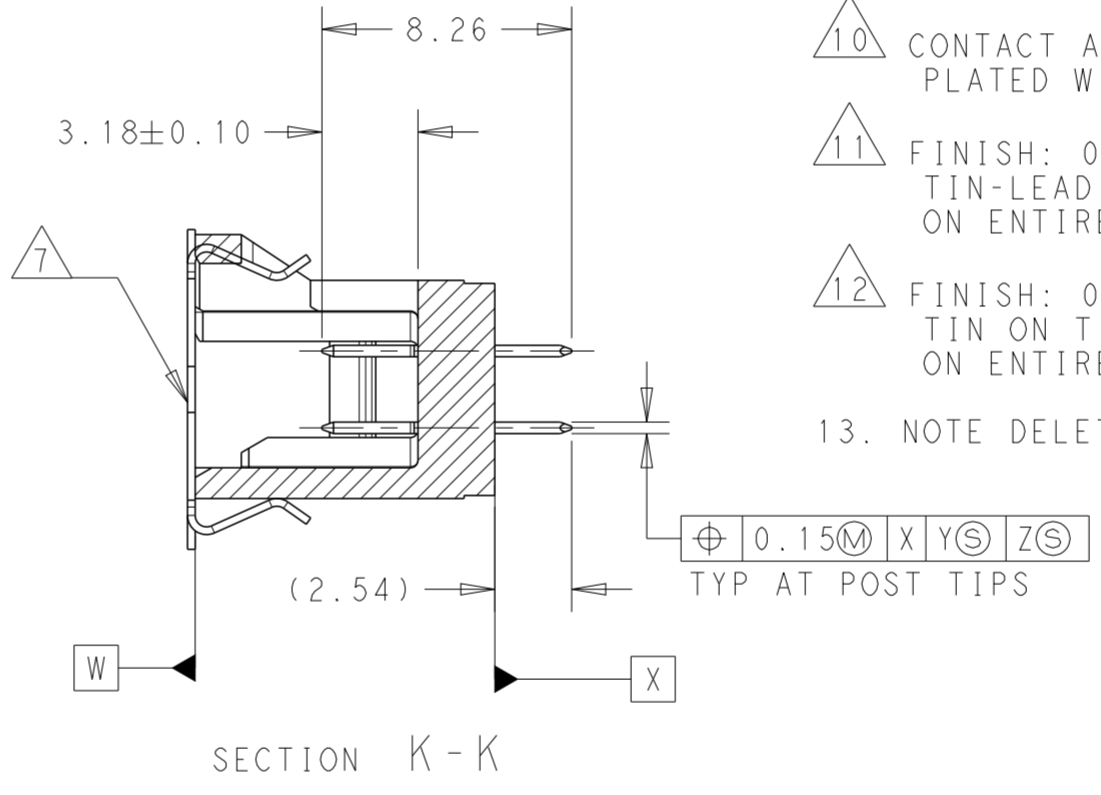
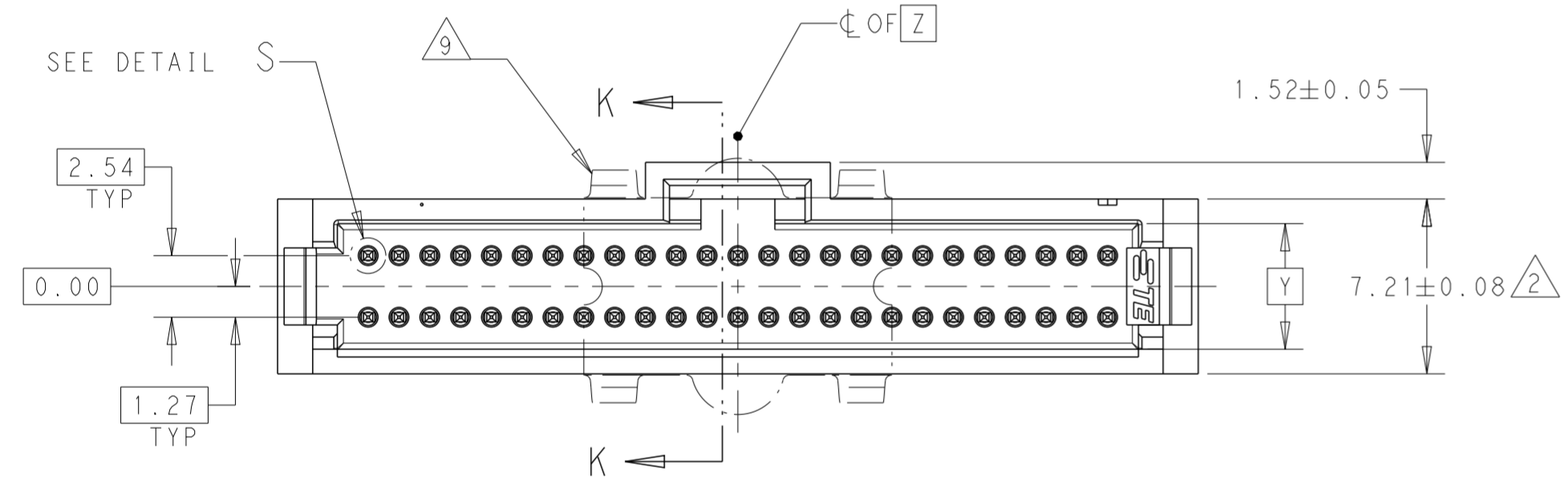


THIS DRAWING IS UNPUBLISHED. RELEASED FOR PUBLICATION 20
 © COPYRIGHT 20 BY - ALL RIGHTS RESERVED.

REVISIONS				
P	LTR	DESCRIPTION	DATE	APVD
	D	REDRAWN/REVISED PER ECO-17-001755	04DEC2017	KS JO



- 1 CONTACT AREAS PLATED WITH $0.76 \mu\text{m}$ MIN GOLD; SOLDER TAILS PLATED WITH $3.81 \mu\text{m}$ MIN TIN-LEAD, ALL OVER $1.27 \mu\text{m}$ NICKEL
- 2 DIMENSION APPLIES AT BASE OF SHROUD
- 3. NOTE DELETED.
- 4. PACKAGED IN TAPE & REEL PER EIA-481 SPECIFICATIONS. SEE CHART FOR TAPE WIDTHS.
- 5 DATUMS AND BASIC DIMENSIONS ESTABLISHED BY CUSTOMER.
- 6 HOUSING: LCP, COLOR-BLACK. POST: COPPER ALLOY. VACUUM COVER: ALUMINUM.
- 7 VACUUM COVER DESIGNED FOR 4 DIA. NOZZLE. VACUUM COVER TO BE REMOVED AFTER SOLDERING.
- 8 6.75 MIN TARGET AREA FOR VACUUM PICK-UP.
- 9 VACUUM COVER SHOWN IN PHANTOM LINE.
- 10 CONTACT AREAS PLATED WITH $0.76 \mu\text{m}$ MIN GOLD; SOLDER TAILS PLATED WITH $3.81 \mu\text{m}$ MIN TIN, ALL OVER $1.27 \mu\text{m}$ NICKEL
- 11 FINISH: $0.03 \mu\text{m}$ MIN GOLD ON GOLD PLATED AREA, $3.81 \mu\text{m}$ MATTE TIN-LEAD ON TIN PLATED AREA. UNDER PLATING TO BE $1.27 \mu\text{m}$ NICKEL ON ENTIRE CONTACT. GOLD AND TIN PLATING MAY NOT OVERLAP.
- 12 FINISH: $0.03 \mu\text{m}$ MIN GOLD ON GOLD PLATED AREA, $3.81 \mu\text{m}$ MATTE TIN ON TIN PLATED AREA. UNDER PLATING TO BE $1.27 \mu\text{m}$ NICKEL ON ENTIRE CONTACT. GOLD AND TIN PLATING MAY NOT OVERLAP.
- 13. NOTE DELETED.



FINISH	TAPE WIDTH	NO OF POSN	PART NUMBER
12	72	50	7-147380-1
10	72	50	5-147380-1
11	72	50	2-147380-1
1	72	50	147380-2

THIS DRAWING IS A CONTROLLED DOCUMENT.

DIMENSIONS: mm	TOLERANCES UNLESS OTHERWISE SPECIFIED:	DWN K. SHRISHALL 04DEC2017	CHK J. OLSON 04DEC2017	APVD J. OLSON 04DEC2017
0 PLC \pm	1 PLC ± 0.3	PRODUCT SPEC	108-1093	NAME
2 PLC ± 0.13	3 PLC ± 0.080	APPLICATION SPEC	114-25031	SIZE
4 PLC ± 0.0005	ANGLES $\pm 0.5^\circ$	WEIGHT	-	CAGE CODE
MATERIAL	FINISH	CUSTOMER DRAWING	A200779	DRAWING NO
	SEE NOTE	SCALE	4:1	SHEET
			1	OF
			1	REV
			D	

STE TE Connectivity
 HEADER ASSEMBLY, VERTICAL, DUAL ROW, System 50, AMPMODU

单击下面可查看定价，库存，交付和生命周期等信息

[>>TE Connectivity\(泰科\)](#)