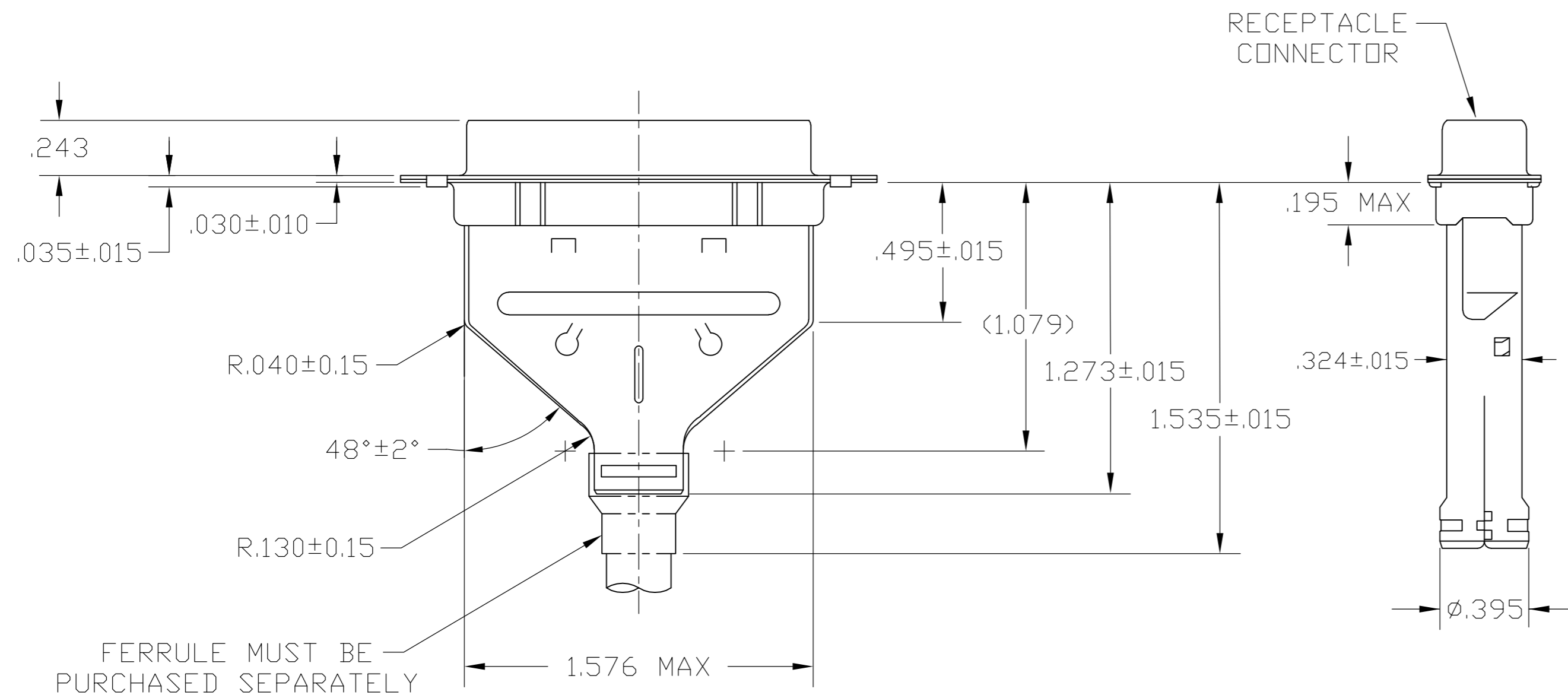
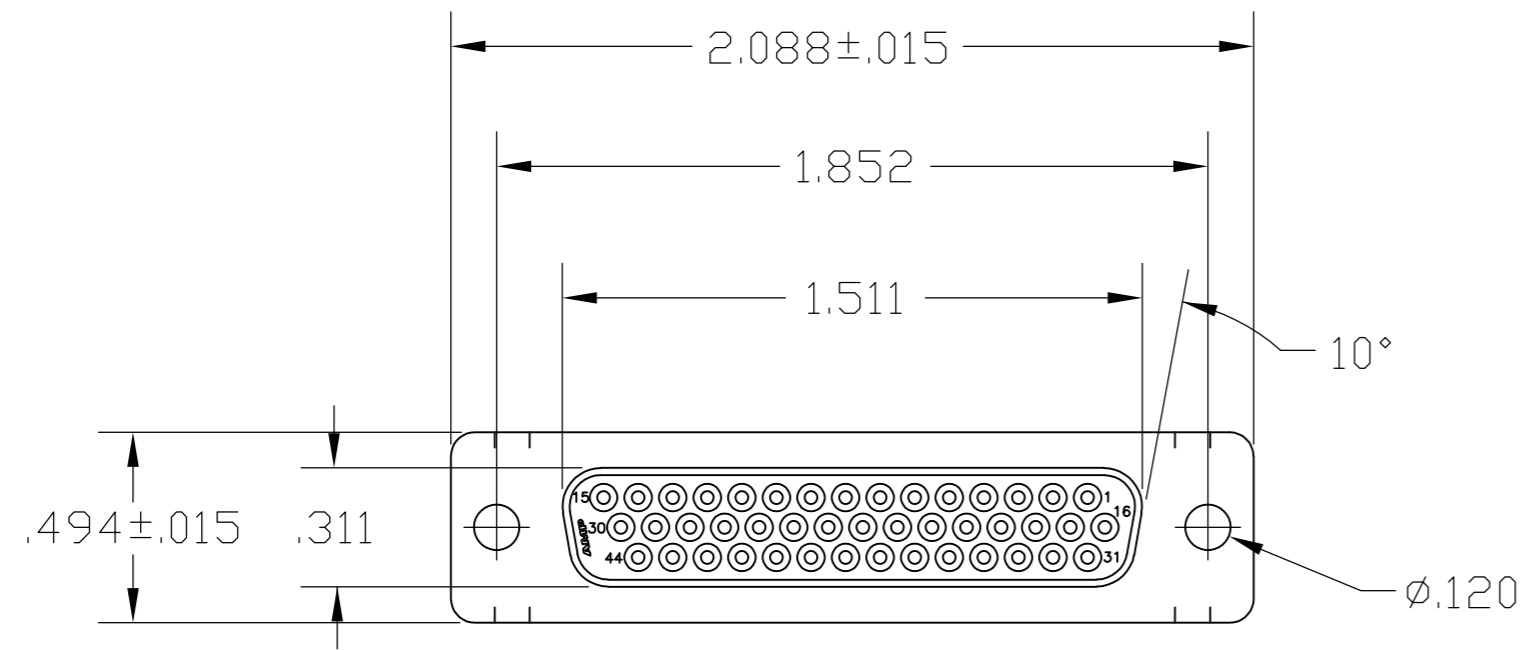


THIS DRAWING IS UNPUBLISHED. RELEASED FOR PUBLICATION
 © COPYRIGHT BY TYCO ELECTRONICS CORPORATION. ALL RIGHTS RESERVED.

LOC	DIST	REVISIONS			
P	LTR	DESCRIPTION	DATE	DWN	APVD
GP	00	A	REVISED PER ECO-10-020603	20DEC2010	CJV VDR



FERRULE MUST BE PURCHASED SEPARATELY

RECEPTACLE CONNECTOR

- RECEPTACLE ACCEPTS SIZE 22 DF SOCKET CONTACTS WHICH MUST BE ORDERED SEPARATELY.
- ALL PARTS SHIPPED UNASSEMBLED, EACH PART INDIVIDUALLY BULK PACKED
- MOLDED PARTS: FLAME RETARDANT GLASS FILLED NYLON, 94V-0 RATED, COLOR BLACK. SHELLS & SHIELDS: STEEL PER ASTM A109.
- SHELLS & SHIELDS: .000200 MIN TIN PLATE OVER .000100 MIN COPPER UNDERPLATE.

5748636-1
PART NUMBER

THIS DRAWING IS A CONTROLLED DOCUMENT.		DWN 12-21-04 L. VARELA - DOCK5	Tyco Electronics Corporation Harrisburg, PA 17105-3608	
DIMENSIONS: INCHES		CHK 12-21-04 J. GERACE	NAME	
TOLERANCES UNLESS OTHERWISE SPECIFIED:		APVD 12-21-04 M. WALMSLEY	PRODUCT SPEC	
0 PLC ± -		108-40005 & 108-40030		
1 PLC ± -		APPLICATION SPEC		
2 PLC ± -		114-40030		
3 PLC ± .005		WEIGHT -		
4 PLC ± -		SIZE A2 CAGE CODE 00779		
ANGLES ± -		DRAWING NO C=5748636		
FINISH		RESTRICTED TO -		
MATERIAL		SCALE 2:1 SHEET 1 OF 1 REV A		
CUSTOMER DRAWING				

单击下面可查看定价，库存，交付和生命周期等信息

[>>TE Connectivity\(泰科\)](#)