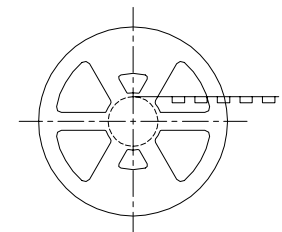
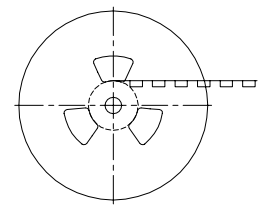
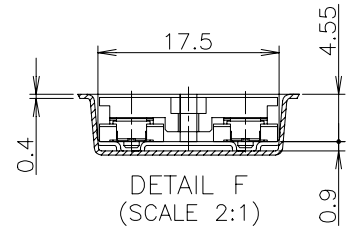
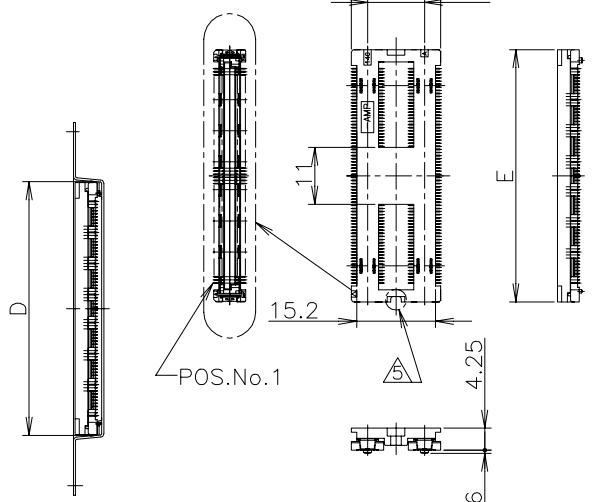
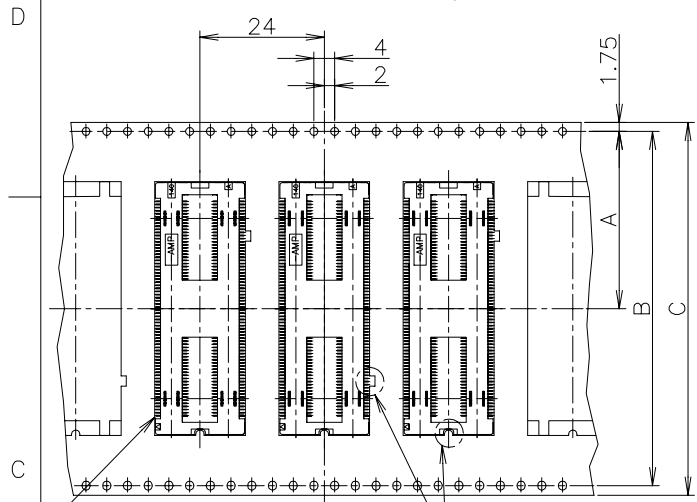


REVISIONS				
変更				
P	LTR	DESCRIPTION	DATE	APVD
B		ECO-20-017853: G-CONTACT TAIL GOLD FLASH	18DEC2020	A.L H.L

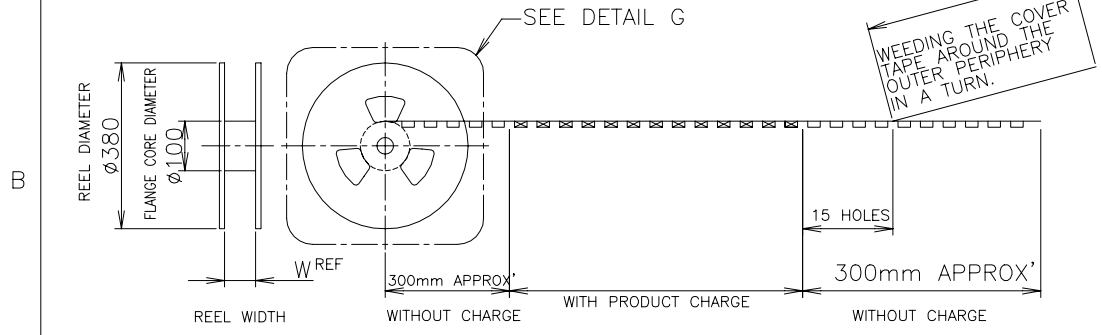


CONNECTOR DETAIL

PAPER REEL

PLASTIC REEL

DETAIL G



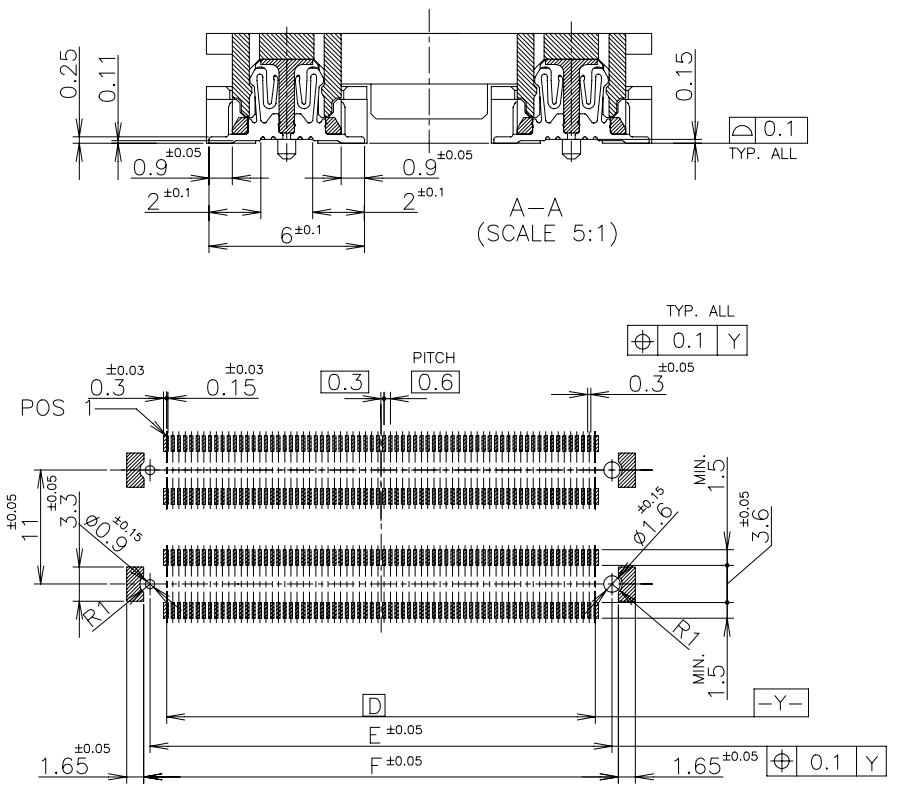
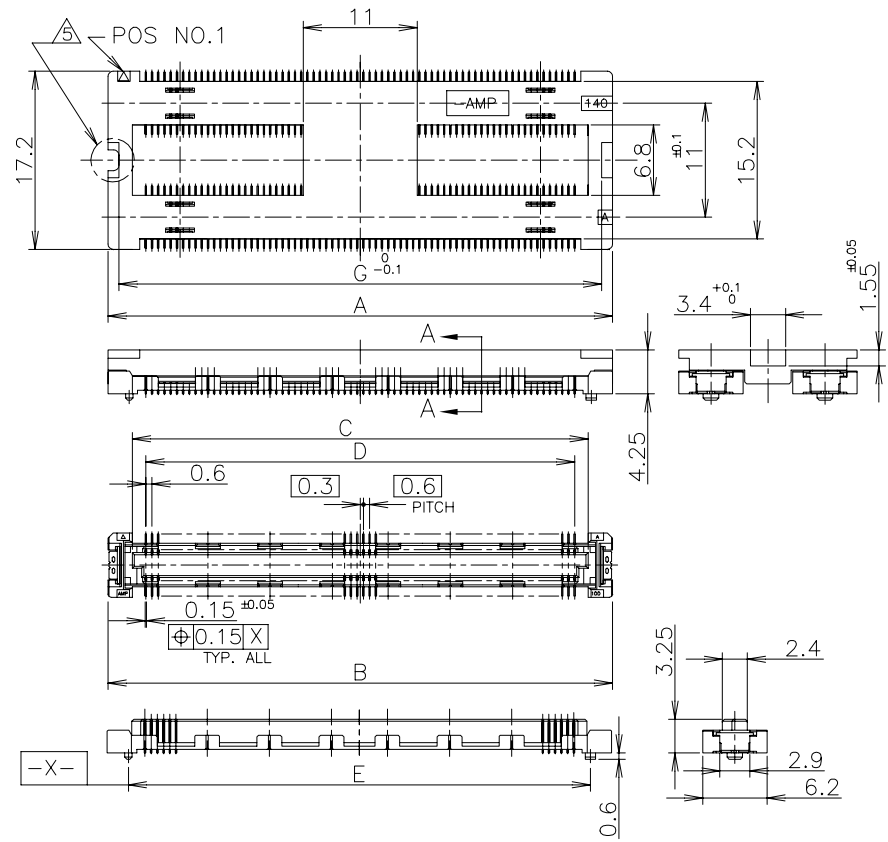
SEALANT	REEL	TOOLING STATUS	QTY	W	E	D	C	B	A	POS.	PART NO.
---	NOT AVAILABLE		650	77.5	54.7	55	72	68.4	34.2	320	6-5353206-1
PAPER	AVAILABLE		↑	77.5	48.7	49	72	68.4	34.2	280	6-↑ -0
---	NOT AVAILABLE			61.5	42.7	43	56	52.4	26.2	240	5- -9
---	NOT AVAILABLE		650	61.5	36.7	37	56	52.4	26.2	200	5-5353206-8
---	NOT AVAILABLE		650	77.5	54.7	55	72	68.4	34.2	320	1-5353206-1
PLASTIC	AVAILABLE		↑	77.6	48.7	49	72	68.4	34.2	280	1-↑ -0
---	NOT AVAILABLE			61.5	42.7	43	56	52.4	26.2	240	-9
PAPER	NOT AVAILABLE		650	61.5	36.7	37	56	52.4	26.2	200	5353206-8

- △ THIS PRODUCT WAS COATED BY FLUX-PENETRATION -INHIBITING AGENT.
- △ CAP HOUSING AND EMBOSS TAPE FOR ONLY 280P HAS THESE ORIENTATION AND SUNK FEATURES.

THIS DRAWING IS A CONTROLLED DOCUMENT.

DIMENSIONS: 單位: 耗 mm	TOLERANCES UNLESS OTHERWISE SPECIFIED: 一般公差	DWN HAWKING HE 14DEC04	TE Connectivity Ltd.	
0 PLC ± 0.2	1 PLC ± 0.2	CHK STEVEN YAO 14DEC04	EMBOSS ASSY	
2 PLC ± 0.2	3 PLC ± 0.2	APVD I.ENOMOTO 14DEC04	FH 0.6BTB CONNECTOR	
4 PLC ± 0.2	ANGLES ± 5'	NAME I.ENOMOTO	REC 4H 2ROW TYPE W/G-CONT	
MATERIAL 材料	FINISH 仕上	PRODUCT SPEC 製品規格 108-60047	SIZE A3	CAGE CODE 00779
		APPLICATION SPEC 取付適用規格 114-5255	DRAWING NO 番号 G=5353206	RESTRICTED TO
		WEIGHT	SCALE 尺度 1:1	SHEET 1 OF 3
		CUSTOMER DRAWING		REV B

REVISIONS					
変更					
P	LTR	DESCRIPTION	DATE	DWN	APVD
-	-	SEE SHEET 1	-	-	-



REFERENCE P.C.BOARD LAYOUT

NOT AVAILABLE	52.6	51.8	50.6	47.4	50	54.7	54.7	320	1-353123-1
AVAILABLE	46.6	45.8	44.6	41.4	44	48.7	48.7	280	1- -0
NOT AVAILABLE	40.6	39.8	38.6	35.4	38	42.7	42.7	240	-9
AVAILABLE	34.6	33.8	32.6	29.4	32	36.7	36.7	200	353123-8
TOOLING STATUS	G	F	E	D	C	B	A	POS	CAP P/N

- ① MATERIAL ; HOUSING : HIGH TEMP THERMO PLASTIC UL94V-0
CONTACT : COPPER ALLOY
- ② FINISH ; UNDER PL Ni 0.0013mm MIN ALL OVER.
CONTACT AREA 0.0002 MIN Au PL.
SOLDERING AREA
SIGNAL POS: 0.00005 MIN Au PL.
- ③ ■ THIS POSITION IS GROUND CIRCUIT.

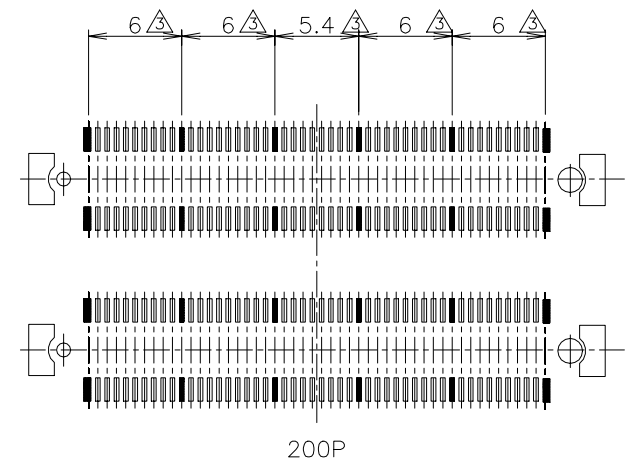
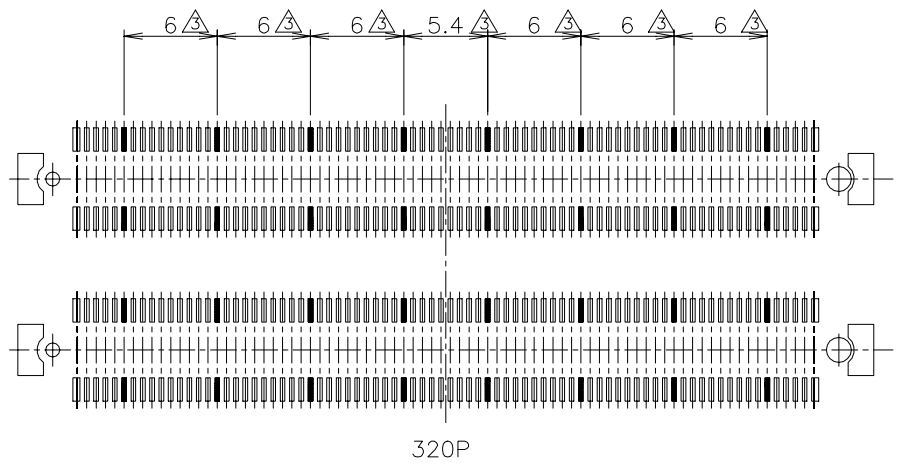
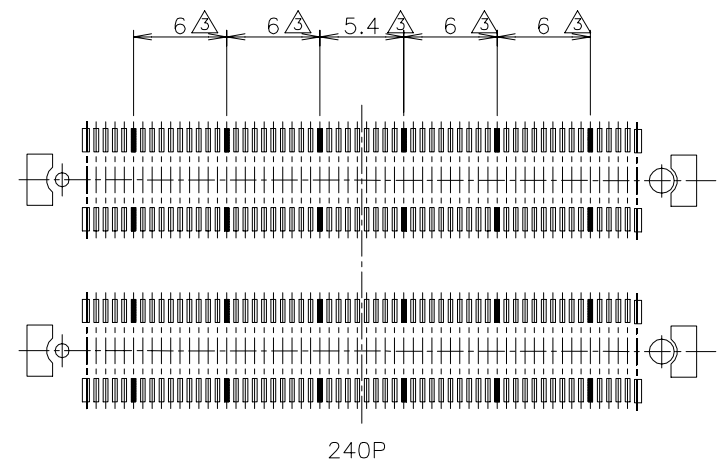
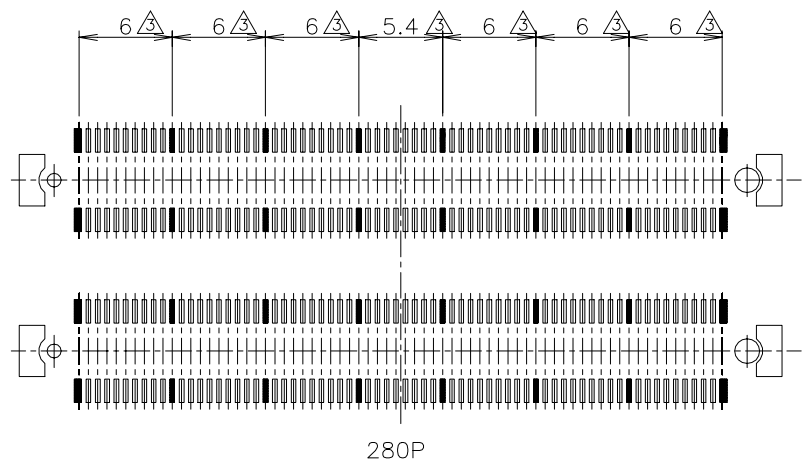
GENERAL TOLERANCE
一般公差

10 ≥ ±0.2
30 ≥ >10: ±0.25
100 ≥ >30: ±0.3
ANGLES: ±3°

THIS DRAWING IS A CONTROLLED DOCUMENT.

DIMENSIONS: 单位: 耗 mm	TOLERANCES UNLESS OTHERWISE SPECIFIED: 一般公差	0 PLC ± - 1 PLC ± - 2 PLC ± - 3 PLC ± - 4 PLC ± - ANGLES ± -	FINISH 仕上	NAME 名称	SIZE A3	CAGE CODE 00779	DRAWING NO 番号 G=5353206	RESTRICTED TO
MATERIAL 材料				TE Connectivity Ltd.				
				EMBOSS ASSY FH 0.6BTB CONNECTOR REC 4H 2ROW TYPE W/G-CONT				
				CUSTOMER DRAWING				
				SCALE 尺度 2:1		SHEET 2 OF 3		REV B

REVISIONS					
変更					
P	LTR	DESCRIPTION	DATE	DWN	APVD
-		SEE SHEET 1	-	-	-



GENERAL TOLERANCE
一般公差

10 ≥: ±0.2
30 ≥: >10: ±0.25
100 ≥: >30: ±0.3
ANGLES: ±3°

THIS DRAWING IS A CONTROLLED DOCUMENT.

DIMENSIONS: 单位: 耗 mm	TOLERANCES UNLESS OTHERWISE SPECIFIED: 一般公差
	0 PLC ± - 1 PLC ± - 2 PLC ± - 3 PLC ± - 4 PLC ± - ANGLES ± -
MATERIAL 材料	FINISH 仕上

DWN	CHK	APVD	PRODUCT SPEC 製品规格	APPLICATION SPEC 取付適用规格	WEIGHT	CUSTOMER DRAWING
-----	-----	------	----------------------	----------------------------	--------	------------------

TE TE Connectivity Ltd.				NAME 名称	
EMBOSS ASSY FH 0.6BTB CONNECTOR REC 4H 2ROW TYPE W/G-CONT				RESTRICTED TO	
SIZE A3	CAGE CODE 00779	DRAWING NO 番号 G=5353206	SCALE 尺度 3:1		
SHEET 3 OF 3			REV B		

单击下面可查看定价，库存，交付和生命周期等信息

[>>TE Connectivity\(泰科\)](#)