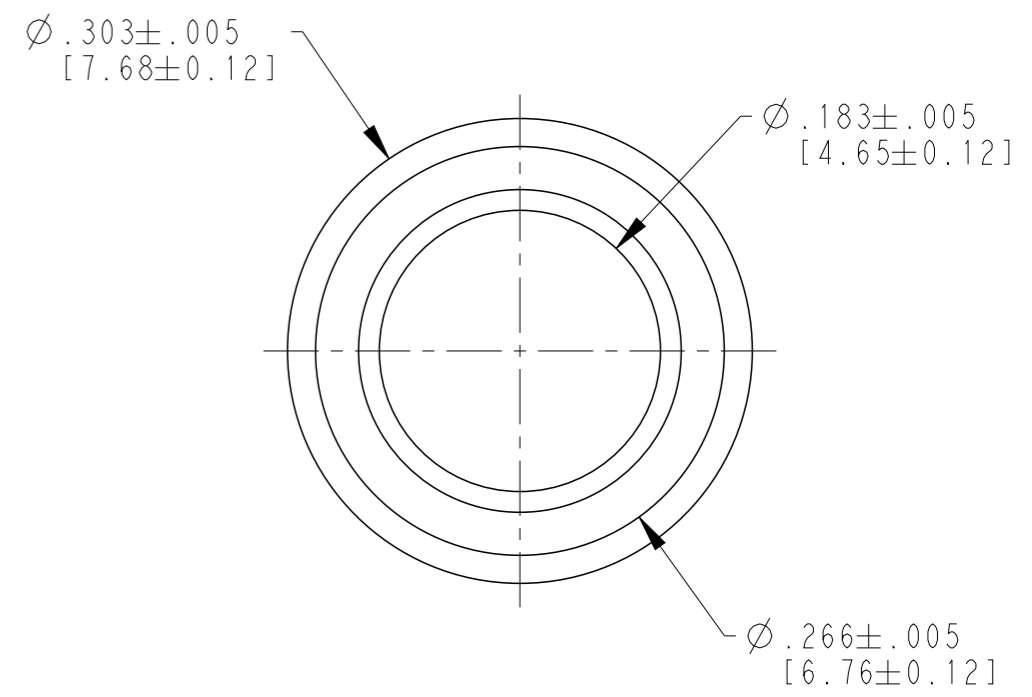
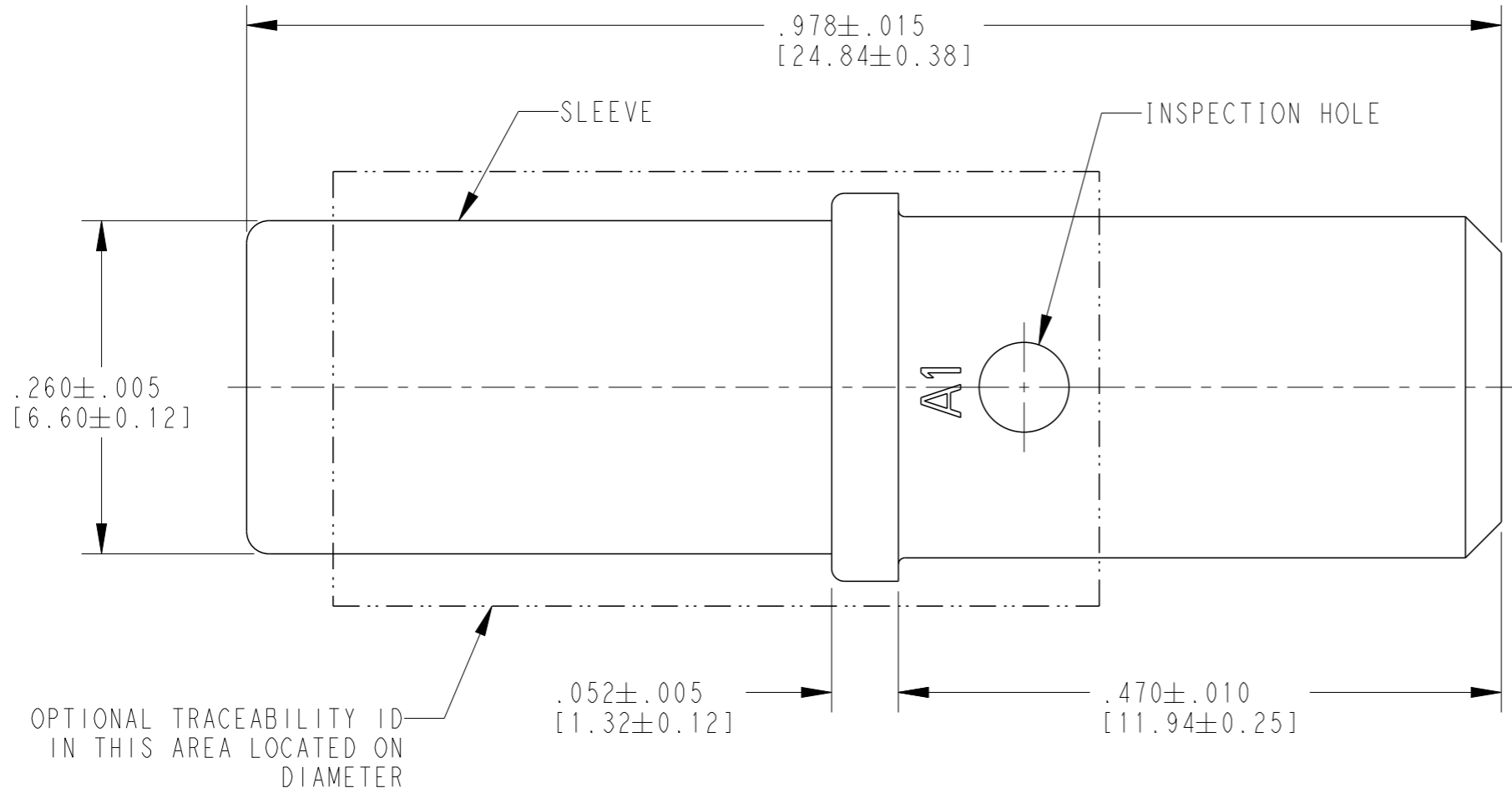


THIS DRAWING IS UNPUBLISHED. RELEASED FOR PUBLICATION 2018
 © COPYRIGHT 2000 BY TE CONNECTIVITY ALL RIGHTS RESERVED.


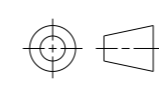
REVISIONS					
P	LTR	DESCRIPTION	DATE	DWN	APVD
	NC	NEW RELEASE PER E.O. P17010	19DEC2000	DM	RDR
	A	REVISED PER PCN E-18-012207	31JUL2018	JA	DM
	A1	REVISED PER PCN E-20-012444	03SEP2020	CL	IG



NOTES:
 (A1) 2. SEE APPLICATION SPECIFICATION 114-151004 FOR CRIMP TOOLS AND WIRE RANGE
 (A1) 1. DELETED

(A1)

TE INTERNAL PN	DEUTSCH PN	PLATING
0462-203-08141	0462-203-08141	NICKEL

THIS DRAWING IS A CONTROLLED DOCUMENT.		DWN D. MEYER 29NOV2000	 TE Connectivity		
DIMENSIONS: INCHES [mm]		CHK B. BYFORD 18DEC2000			
TOLERANCES UNLESS OTHERWISE SPECIFIED:		APVD R. REED 19DEC2000	NAME SOCKET, SOLID SIZE 8		
		PRODUCT SPEC 108-151004	RESTRICTED TO		
MATERIAL COPPER ALLOY		FINISH SEE TABLE	APPLICATION SPEC 114-151004	SIZE A3	CAGE CODE 4AFU8
		WEIGHT 4.68g	DRAWING NO C=0462-203-08XX	-	
CUSTOMER DRAWING			SCALE 8:1	SHEET 1 OF 1	REV A1

单击下面可查看定价，库存，交付和生命周期等信息

[>>TE Connectivity\(泰科\)](#)