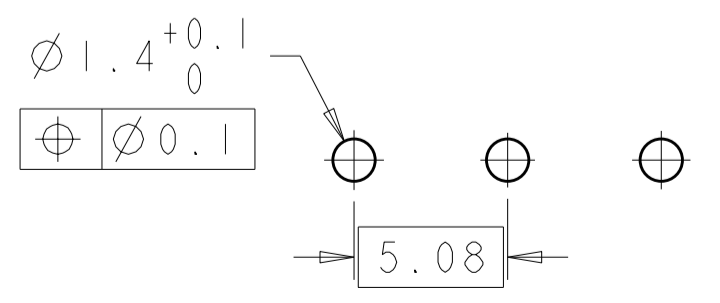
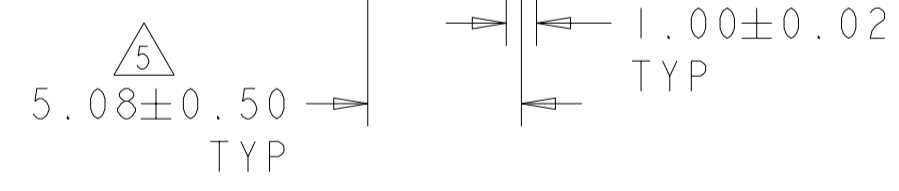
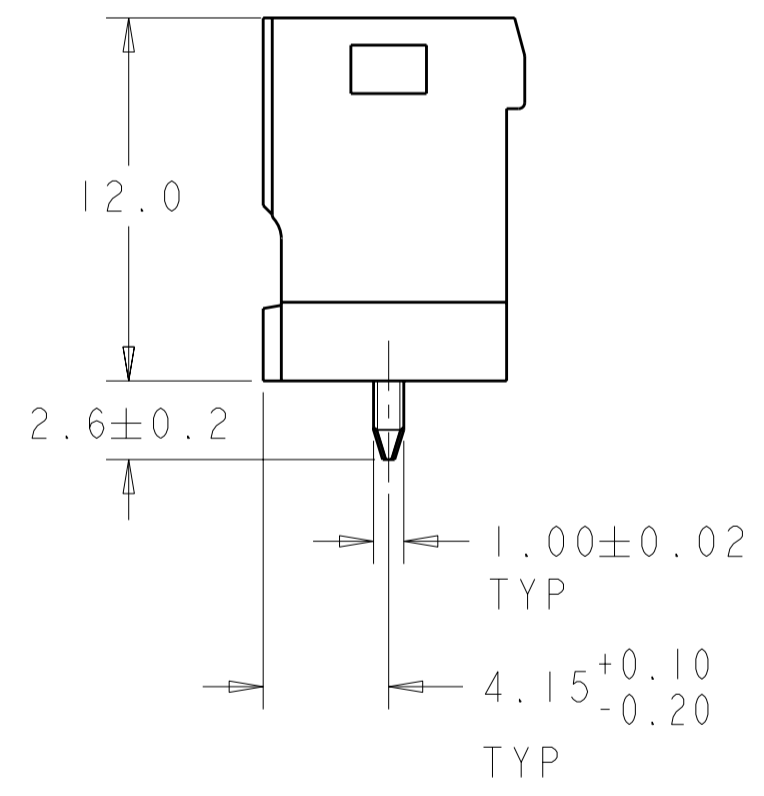
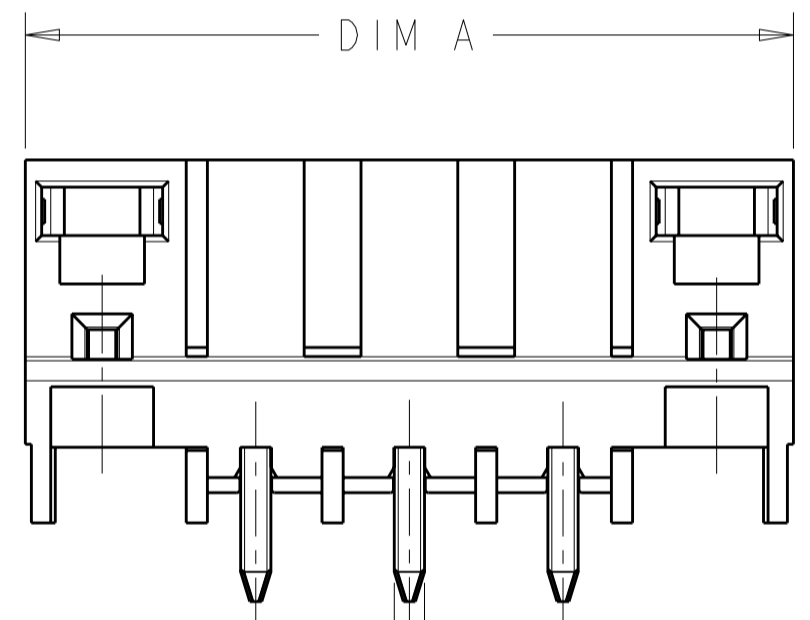
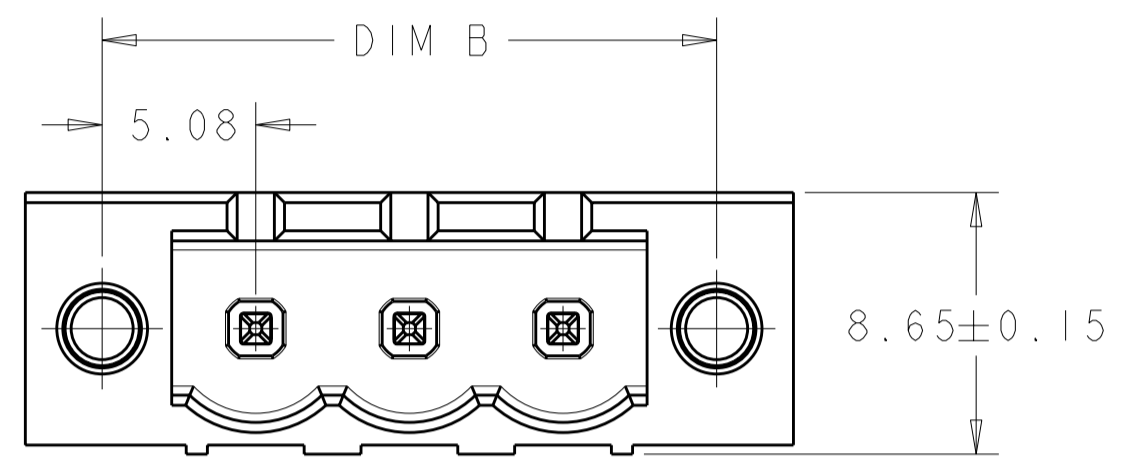


THIS DRAWING IS UNPUBLISHED. RELEASED FOR PUBLICATION 20
 © COPYRIGHT 20 BY TYCO ELECTRONICS CORPORATION. ALL RIGHTS RESERVED.

LOC		DIST		REVISIONS			
P	LTR	DESCRIPTION	DATE	DWN	APVD		
	1	-	10DEC2008	SS	CR		



RECOMMENDED PC BOARD LAYOUT

- 1. MATERIALS:
 HOUSING: PA 6-6, UL 94V-0, COLOR: GREEN.
 TERMINAL: PHOSPHOR BRZ, TIN PLATED
- 2. SUITABLE FOR 1.6-2.4mm PC BOARD THICKNESS.
- 3. RECOGNIZED UNDER THE COMPONENT PROGRAM OF UNDERWRITERS LABORATORIES INC. FILE NO. E60677.
- 4. IMQ CERTIFICATE WITH SURVEILLANCE ON CONFORMITY WITH IEC 998-1/998-2-1.
- 5. NOT CUMULATIVE TOLERANCE.
- 6. TE LOGO TO APPEAR ON HOUSING, LOCATION OPTIONAL WHERE SPACE PERMITS.
- 7. STANDARD PACKAGE.
- 8. TAPE AND REEL PACKAGE.

THIS PRINT IS
PRELIMINARY
 THE INFORMATION CONTAINED IN THIS DOCUMENT IS CONFIDENTIAL AND PROPRIETARY TO TYCO ELECTRONICS
 DO NOT REPRODUCE OR DISTRIBUTE
 DESIGN IS SUBJECT TO CHANGE WITHOUT NOTICE

8	20.32	25.40	3	2-1986485-3
7	20.32	25.40	3	1986485-3
NOTES	DIM B	DIM A	NO OF POS	PART NUMBER

DIMENSIONS:		TOLERANCES UNLESS OTHERWISE SPECIFIED:		DWN		Tyco Electronics	
mm		0 PLC	±	S. SCHLEGEL	10DEC2008	Harrisburg, PA 17105-3608	
		1 PLC	±0.3	CHK	C. RICHARD	Tyco Electronics	
		2 PLC	±0.25	APVD	C. RICHARD	NAME	
		3 PLC	±0.000	PRODUCT SPEC		TERMINAL BLOCK HEADER ASSY, VERTICAL W/ LOCKING SCREW, FLG 5.08mm HIGH TEMP	
		4 PLC	±0.0000	APPLICATION SPEC		SIZE	CAGE CODE
		ANGLES	±2°	WEIGHT		A2	00779
		FINISH		CUSTOMER DRAWING		DRAWING NO	1986485
						RESTRICTED TO	
						SCALE	4:1
						SHEET	OF
						REV	

单击下面可查看定价，库存，交付和生命周期等信息

[>>TE Connectivity\(泰科\)](#)