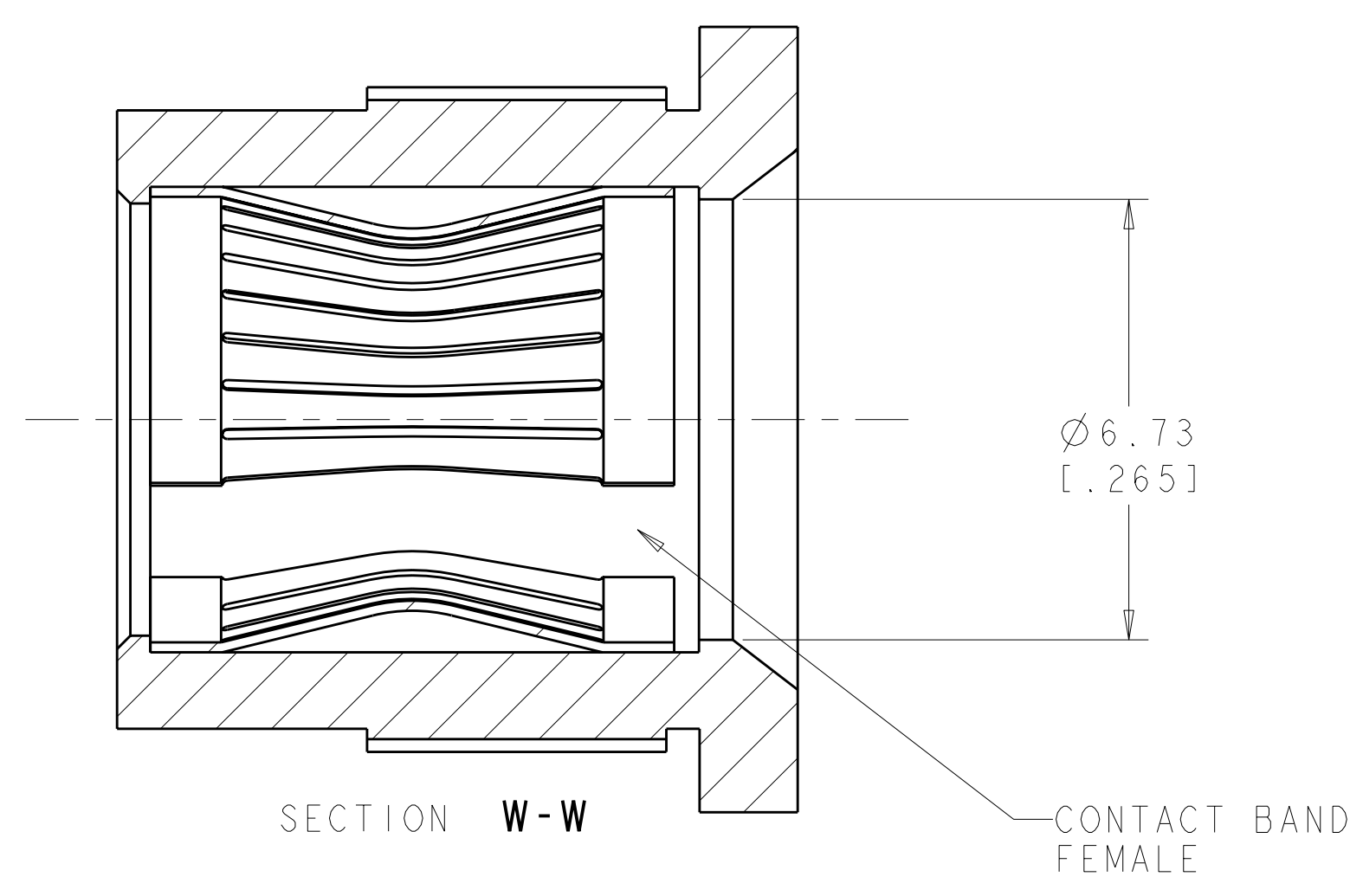
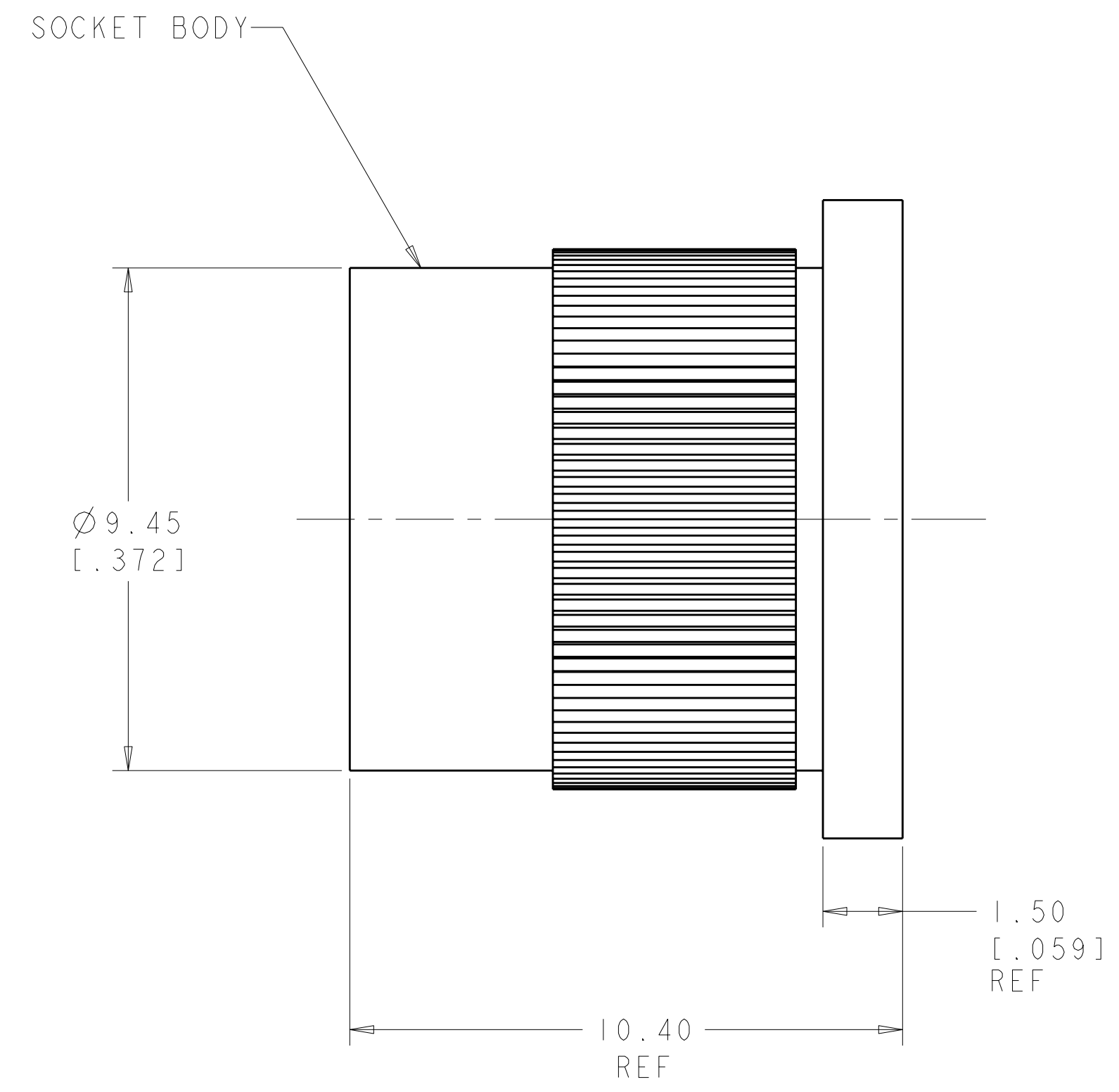
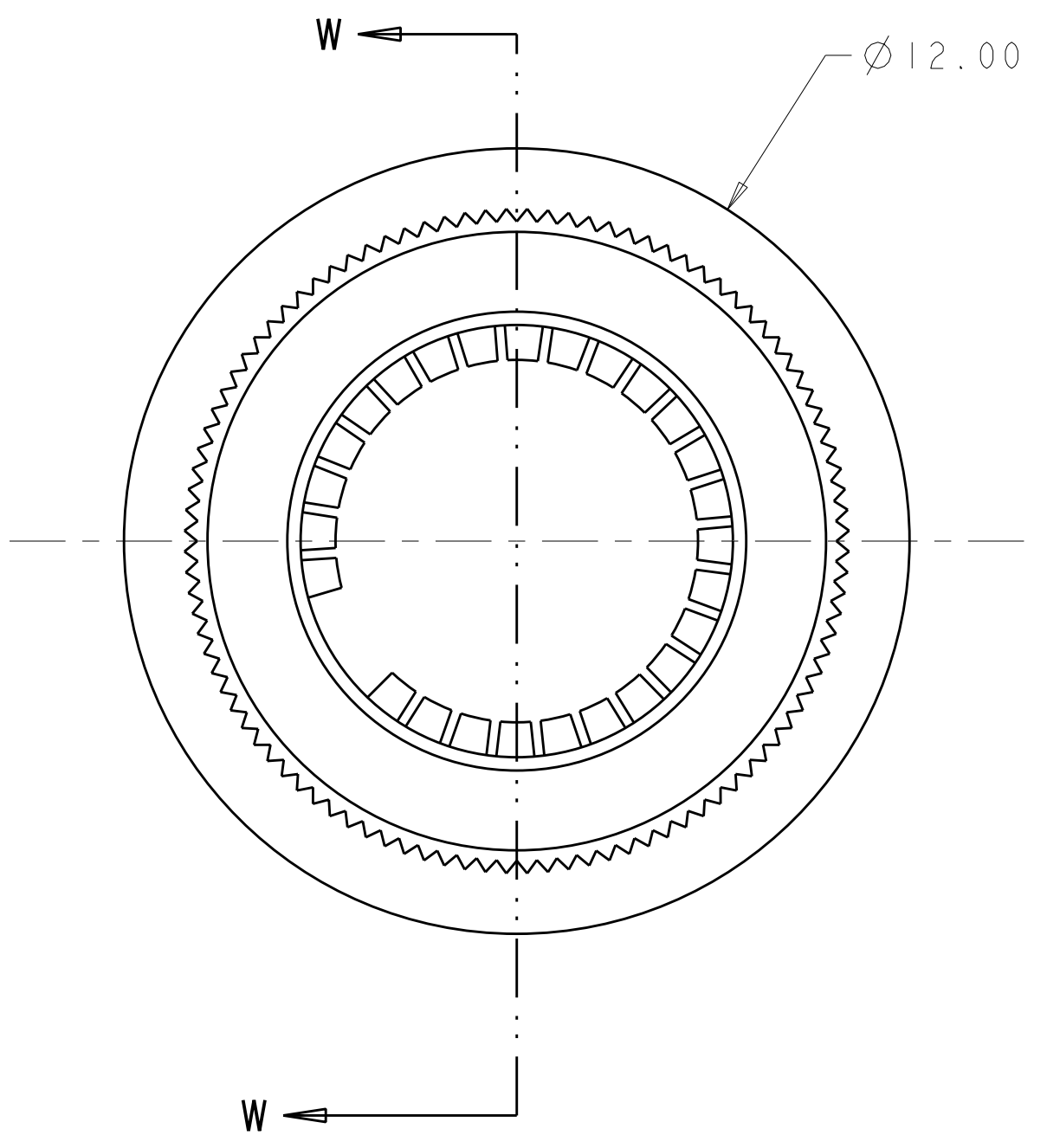


LOC		DIST		REVISIONS			
GP	00	P	LTR	DESCRIPTION	DATE	DWN	APVD
		1		PROPOSED DESIGN	11DEC2007	WVS	GRD
		2		REMOVED INCH DIMENSIONS	24APR2008	WVS	GRD



- PART NUMBER CHANGES AND/OR DESIGN CHANGES AFFECTING ITEM INTERCHANGEABILITY REQUIRES PRIOR TYCO ELECTRONICS APPROVAL AND AUTHORIZATION BY REVISION TO THIS DRAWING.
- ITEMS PROVIDED TO THIS SPECIFICATION SHALL BE IDENTIFIED ON THE PACKAGE AS FOLLOWS: MANUFACTURER IDENTIFICATION PART NUMBER.
- RECOMENDED BUS BAR HOLE $\phi 10.03 \pm 0.03$ [$\phi .395 \pm .001$].
- MATES WITH A $\phi 6.35$ [.250] PIN.
- MATERIAL:
 SOCKET BODY - COPPER ALLOY
 CONTACT BAND - COPPER ALLOY
- FINISH:
 SOCKET BODY - SILVER PLATE OVER NICKEL PLATE OVER ALL
 CONTACT BAND - GOLD PLATE IN CONTACT AREA OVER NICKEL PLATE OVER ALL
- THIS PRODUCT HAS NOT COMPLETED QUALIFICATION TESTING.



AS SHOWN	1926755-1
DESCRIPTION	PART NO

THIS PRINT IS
PRELIMINARY
 UNQUALIFIED PRODUCT
 CONTACT PRODUCT ENGINEERING
 BEFORE USING THIS PRINT

DIMENSIONS: mm [INCHES]		TOLERANCES UNLESS OTHERWISE SPECIFIED:		DWN: WM VAN SCOOC 13NOV2007 CHK: G.R. DEFIBAUGH 13NOV2007 APVD: G.R. DEFIBAUGH 13NOV2007		tyco Electronics Tyco Electronics Harrisburg, PA 17105-3608	
0 PLC	±	0.25	[.010]	PRODUCT SPEC		NAME	
1 PLC	±			APPLICATION SPEC		ASSEMBLY, #4 SOCKET, BUSBAR, SHORT	
2 PLC	±			WEIGHT		SIZE CAGE CODE DRAWING NO	
3 PLC	±			CUSTOMER DRAWING		A 100779 C=1926755	
4 PLC	±			SCALE		SHEET 1 OF 1	
ANGLES	±			REV		2	

单击下面可查看定价，库存，交付和生命周期等信息

[>>TE Connectivity\(泰科\)](#)