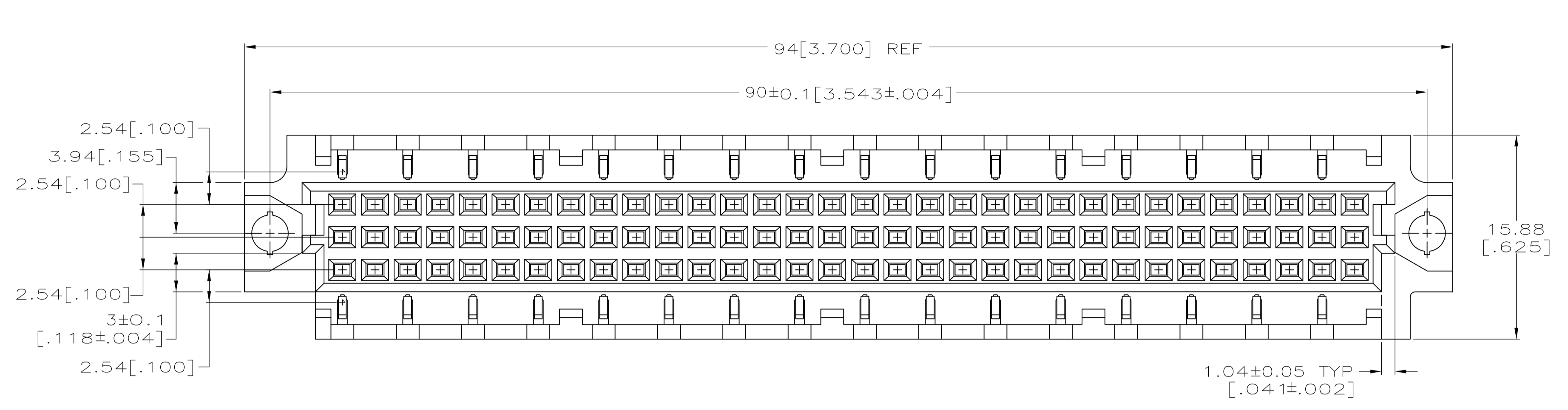
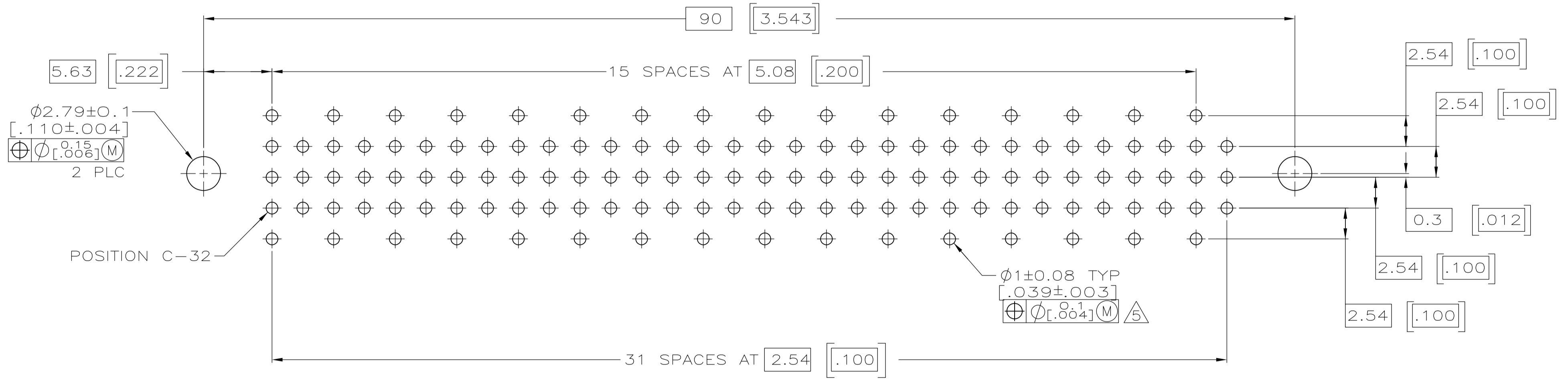
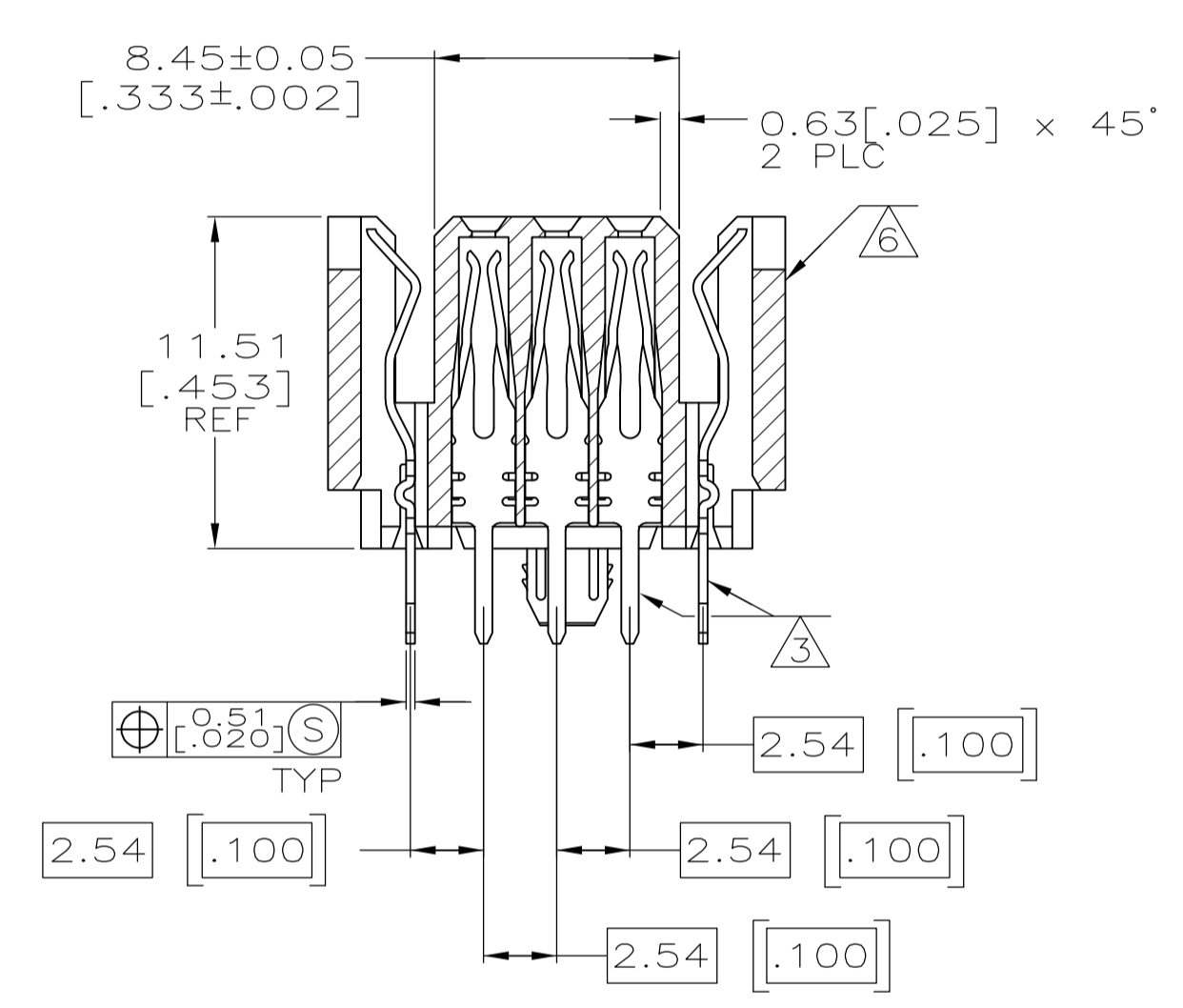
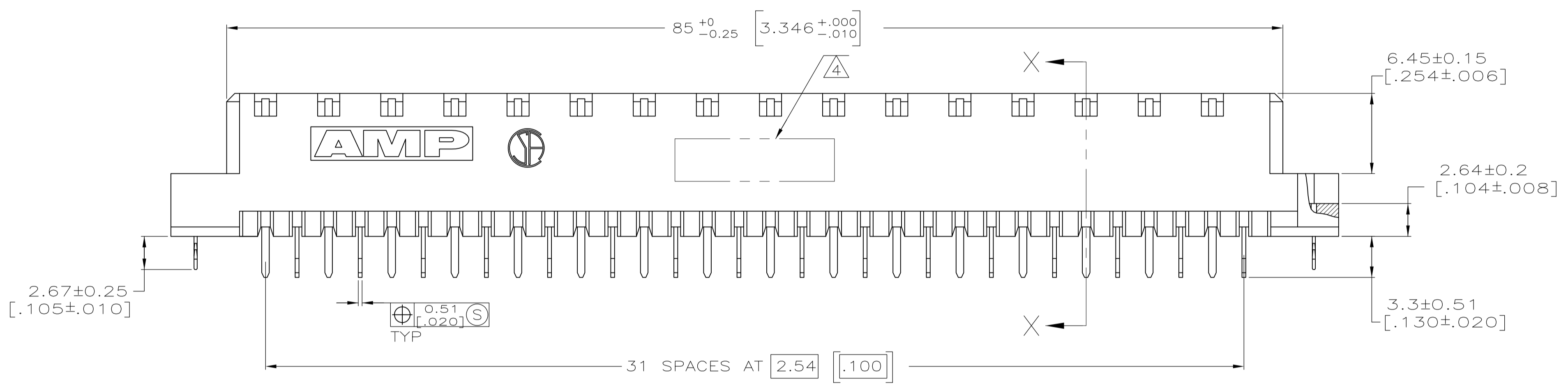


REVISIONS				
P	LTR	DESCRIPTION	DATE	APPV
A		REVISED PER ECO-17-014228	27SEP2017	SY SY



- ① HOUSING MATERIAL: GLASS-FILLED POLYMER.
- ② CONTACT MATERIAL: COPPER ALLOY.
- ③ CONTACT FINISH: DIN 41612 CLASS 2 IN CONTACT AREA. TIN PLATE ON TAILS.
- ④ PART NUMBER, DATE CODE, THIS APPROXIMATE AREA.
- ⑤ RECOMMENDED HOLE SIZE FOR MANUAL APPLICATION OF CONNECTOR ONTO PC BOARD.
- ⑥ MARKING ON THIS SIDE.



PC BOARD LAYOUT

ALL POSITIONS		* * * *				128	5536154-5	
POSITIONS LOADED		Y	X	C	B	A	PART NUMBER	
		ROWS LOADED					NO. OF LOADED POSITIONS	
THIS DRAWING IS A CONTROLLED DOCUMENT.		DIN J. POLIGNONE 18APROS		CIRK A. SHARPE 18APROS		APVD A. SHARPE 18APROS		
DIMENSIONS: mm [INCHES]		TOLERANCES UNLESS OTHERWISE SPECIFIED:		APPLICATION SPEC		NAME		
0 PLC ± - 1 PLC ± - 2 PLC ± - 3 PLC ± 0.1 [.005] 4 PLC ± - ANGLES ± -		MATERIAL		FINISH		WEIGHT		
						0.000000		
						A1 00779 C=5536154		
						CUSTOMER DRAWING		
						SCALE 4:1 SHEET 1 OF 1 REV A		

单击下面可查看定价，库存，交付和生命周期等信息

[>>TE Connectivity\(泰科\)](#)